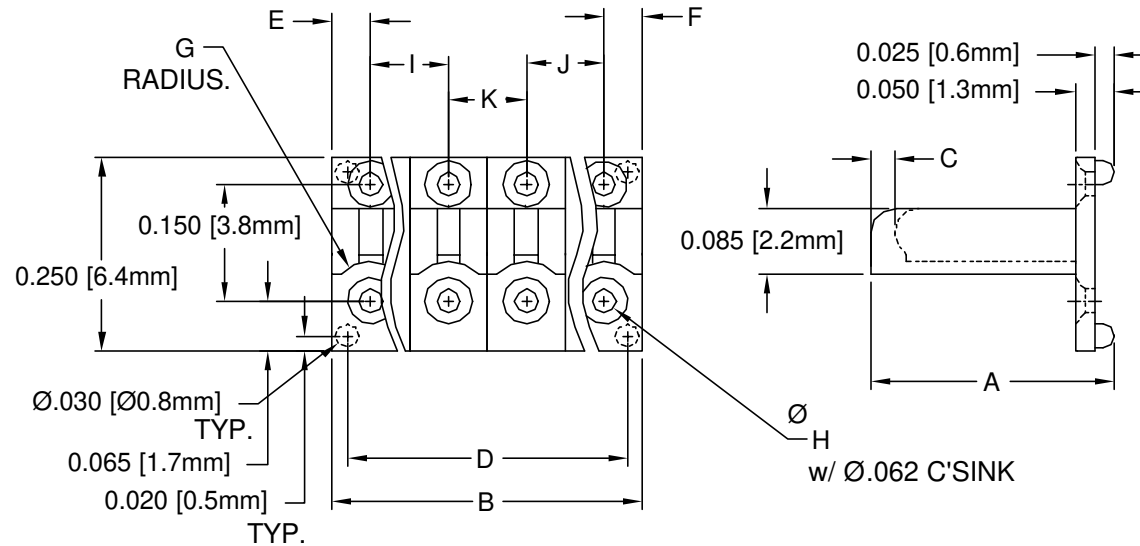



| REV. | DESCRIPTION | DATE | APPROVED |
|------|--------------------------------|----------|----------|
| C | Engineering Update w/o Changes | 03/01/04 | M. C. |
| | | | |
| | | | |
| | | | |



| PART NO. | A | B | C | D | E | F | G | H | I | J | K |
|----------|--------------|---------------|--------------|---------------|--------------|--------------|--------------|--------------|--------------|--------------|--------------|
| 3121-004 | .312(7.9mm) | 0.100(2.5mm) | 0.030(0.8mm) | 0.060(1.5mm) | 0.050(1.3mm) | 0.050(1.3mm) | 0.055(1.4mm) | 0.030(0.8mm) | N/A | N/A | N/A |
| 3122-010 | .312(7.9mm) | 0.200(5.1mm) | 0.030(0.8mm) | 0.160(4.1mm) | 0.050(1.3mm) | 0.050(1.3mm) | 0.055(1.4mm) | 0.030(0.8mm) | 0.100(2.5mm) | N/A | N/A |
| 3123-016 | .312(7.9mm) | 0.300(7.6mm) | 0.030(0.8mm) | 0.260(6.6mm) | 0.050(1.3mm) | 0.050(1.3mm) | 0.055(1.4mm) | 0.030(0.8mm) | 0.100(2.5mm) | 0.100(2.5mm) | N/A |
| 3124-022 | .312(7.9mm) | 0.400(10.2mm) | 0.030(0.8mm) | 0.360(9.1mm) | 0.050(1.3mm) | 0.050(1.3mm) | 0.055(1.4mm) | 0.030(0.8mm) | 0.100(2.5mm) | 0.100(2.5mm) | 0.100(2.5mm) |
| | | | | | | | | | | | |
| 4371-005 | .437(11.1mm) | 0.100(2.5mm) | 0.030(0.8mm) | 0.060(1.5mm) | 0.050(1.3mm) | 0.050(1.3mm) | 0.055(1.4mm) | 0.030(0.8mm) | N/A | N/A | N/A |
| 4372-011 | .437(11.1mm) | 0.200(5.1mm) | 0.030(0.8mm) | 0.160(4.1mm) | 0.050(1.3mm) | 0.050(1.3mm) | 0.055(1.4mm) | 0.030(0.8mm) | 0.100(2.5mm) | N/A | N/A |
| 4373-017 | .437(11.1mm) | 0.300(7.6mm) | 0.030(0.8mm) | 0.260(6.6mm) | 0.050(1.3mm) | 0.050(1.3mm) | 0.055(1.4mm) | 0.030(0.8mm) | 0.100(2.5mm) | 0.100(2.5mm) | N/A |
| 4374-023 | .437(11.1mm) | 0.400(10.2mm) | 0.030(0.8mm) | 0.360(9.1mm) | 0.050(1.3mm) | 0.050(1.3mm) | 0.055(1.4mm) | 0.030(0.8mm) | 0.100(2.5mm) | 0.100(2.5mm) | 0.100(2.5mm) |
| | | | | | | | | | | | |
| 5621-006 | .562(14.3mm) | 0.150(3.8mm) | 0.040(1.0mm) | 0.110(2.8mm) | 0.075(1.9mm) | 0.075(1.9mm) | 0.080(2.0mm) | 0.040(1.0mm) | N/A | N/A | N/A |
| 5622-012 | .562(14.3mm) | 0.300(7.6mm) | 0.040(1.0mm) | 0.260(6.6mm) | 0.075(1.9mm) | 0.075(1.9mm) | 0.080(2.0mm) | 0.040(1.0mm) | 0.150(3.8mm) | N/A | N/A |
| 5623-018 | .562(14.3mm) | 0.450(11.4mm) | 0.040(1.0mm) | 0.410(10.4mm) | 0.075(1.9mm) | 0.075(1.9mm) | 0.080(2.0mm) | 0.040(1.0mm) | 0.150(3.8mm) | 0.150(3.8mm) | N/A |
| 5624-024 | .562(14.3mm) | 0.600(15.2mm) | 0.040(1.0mm) | 0.560(14.2mm) | 0.075(1.9mm) | 0.075(1.9mm) | 0.080(2.0mm) | 0.040(1.0mm) | 0.150(3.8mm) | 0.150(3.8mm) | 0.150(3.8mm) |

2. MATERIAL: POLYESTER/PBT, 30 % GLASS, 94V-0, BLACK. BIVAR MATERIAL CODE 09-BK.
 GENERAL ELECTRIC PBT, 30 % GLASS, VALOX 420 SEO, BLACK.
1. GENERAL SPECIFICATIONS: BIVAR MOLDED COMPONENT SPECIFICATION BV00-E101.

| | | |
|--|--------------------------|--|
| STANDARD TOLERANCE (UNLESS OTHERWISE SPECIFIED) | |  BIVAR [®] 4 THOMAS, IRVINE, CA. 92618 TEL: (949) 951-8808 FAX: (949) 951-3974 |
| DECIMALS | ANGULAR | |
| .X ±.1 | X° ± 1° | TITLE: VERTICAL DIODE/RESISTOR MOUNT PART NO: 31XX-XXX 43XX-XXX 56XX-XXX REVISION: C |
| .XX ±.01 | | |
| .XXX ±.005 | | |
| DESIGNED: Shane Irving | DATE: 06/25/98 | CAGE CODE : 32559 SHEET # 1 OF 1 |
| CHECKED: M. Chen | DATE: 09/23/03 | |
| CAD GENERATED DOCUMENT. DO NOT MEASURE DRAWING. | | |