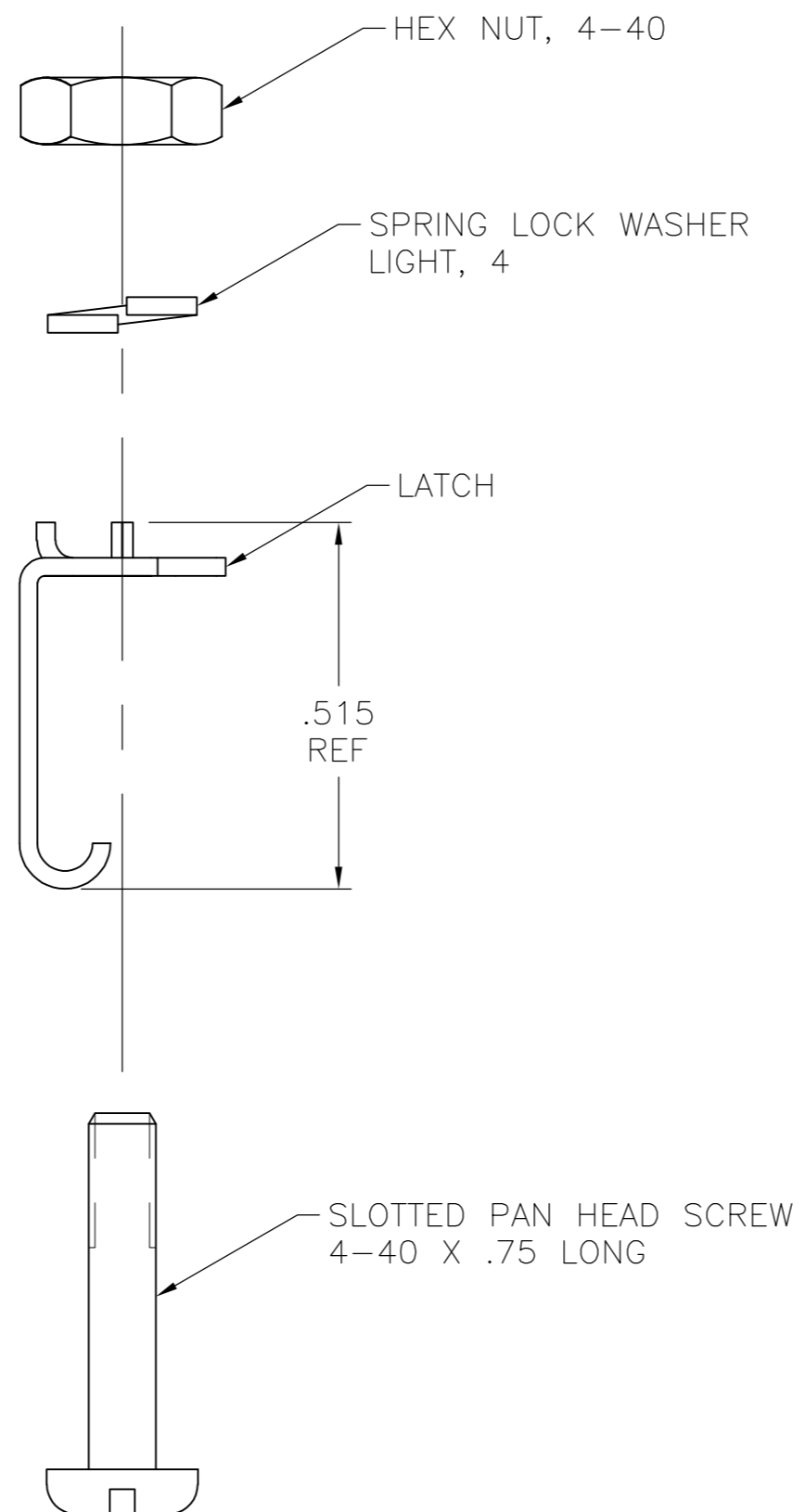
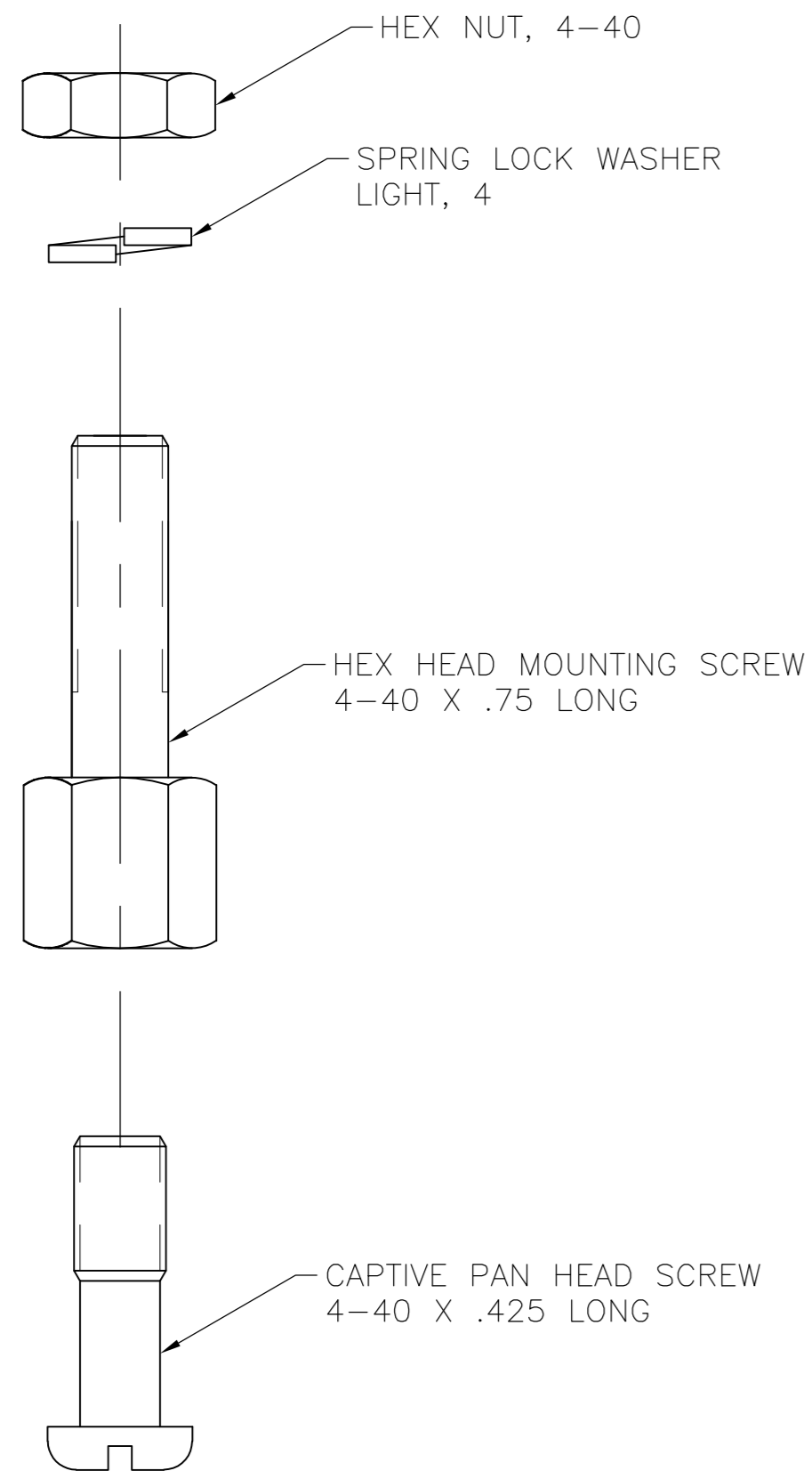


THIS DRAWING IS UNPUBLISHED. RELEASED FOR PUBLICATION
 © COPYRIGHT - By - ALL RIGHTS RESERVED.

LOC	DIST	REVISIONS			
P	LTR	DESCRIPTION	DATE	DWN	APVD
GP	00	A	REVISED PER ECO-13-000050	09JAN2013	CJV PAR

1 MATERIAL:
 CAPTIVE PAN HEAD SCREW: ZINC PLATED STEEL.
 HEX HEAD SCREW: BRASS WITH NICKEL PLATE.
 ALL OTHER HARDWARE: PASSIVATED STAINLESS STEEL.



5552690-1
 PART NUMBER

THIS DRAWING IS A CONTROLLED DOCUMENT. DIMENSIONING AND TOLERANCING PER ASME Y14.5M-2009		DWN B. MCMASTER 30SEP05	TE TE Connectivity	
DIMENSIONS: INCHES		CHK W. MILLHIMES 30SEP05		
TOLERANCES UNLESS OTHERWISE SPECIFIED:		APVD W. MILLHIMES 30SEP05	NAME HARDWARE KIT, VERTICAL MOUNTING CHAMP	
0 PLC ± -		PRODUCT SPEC	SIZE CAGE CODE DRAWING NO RESTRICTED TO	
1 PLC ± -		APPLICATION SPEC	A2 00779 C=5552690	
2 PLC ± -		WEIGHT -	SCALE 4:1 SHEET 1 of 1 REV A	
3 PLC ± -		CUSTOMER DRAWING		
4 PLC ± -				
ANGLES ± -				
FINISH 1				