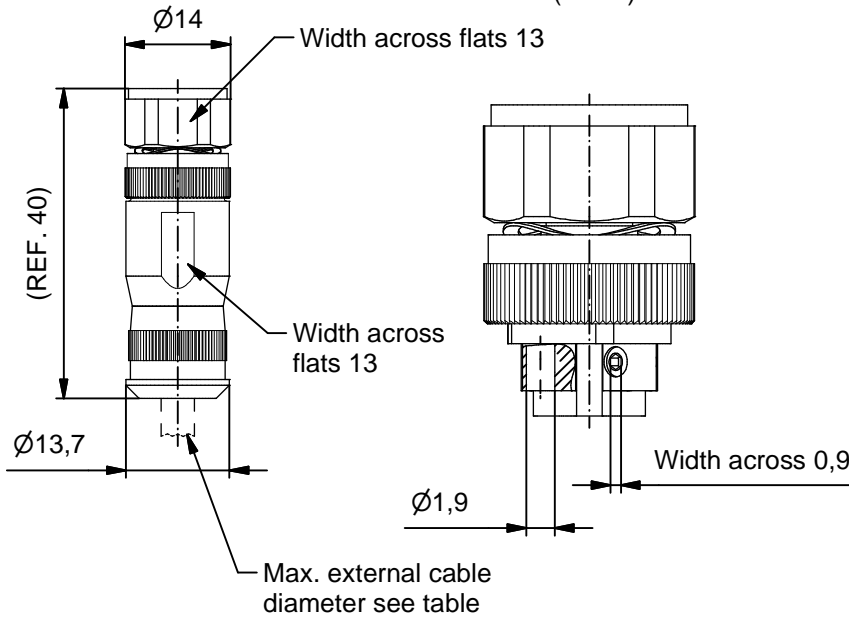


Inner view  
(2 : 1)



**Technical specification:**

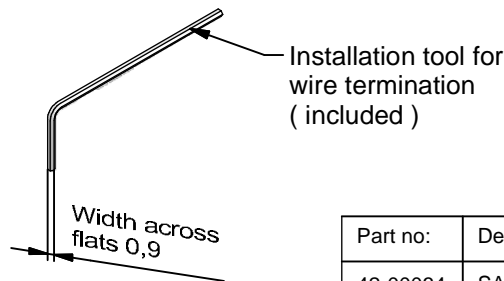
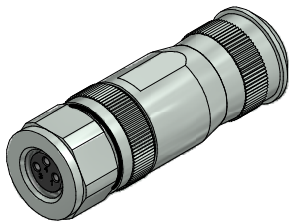
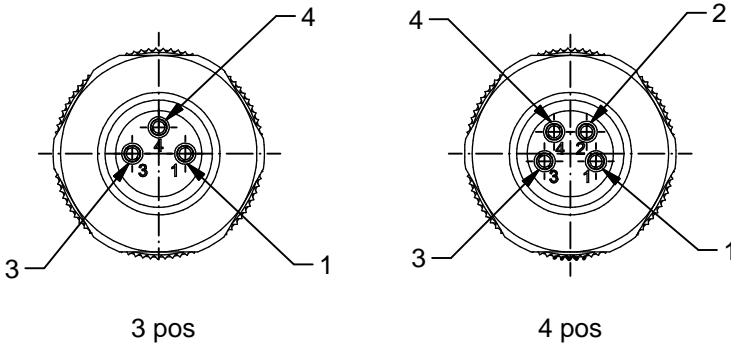
Rated voltage: IEC 61076-2-104	50 V AC / 60 V DC
Current rating: IEC 61076-2-104	4 A at 40°C with 0,5 mm <sup>2</sup>
Insulation resistance: IEC 60512	>=100 MΩ
Pollution degree: IEC 60664-1	3/2
Degree of protection: IEC 60529	IP 67, in mated condition
Temperature range: EN 60512-11-10 EN 60512-11-4	-30°C ... +85°C -40°C ... +85°C
Mating cycles: IEC 60512-9a	>=100
Wire cross section:	max. 0,5 mm <sup>2</sup> AWG 20

**Materials:**

Contact:	CuZn, Ni b / Au 0,2 gal.
Contact carrier:	PA, UL 94 V-0
Cable sealing:	NBR
Cable cage:	PA6 GF, UL 94 HB
Sealing connector: chassis:	FPM Silicone / NBR
Coupling nut:	CuZn, Ni
Housing:	CuZn, Ni

**Installation specification:**

Recommended torque:	0,4 Nm
Conec installation tooling:	Torque wrench: 36-000200 Insert across flats 13: 36-000220

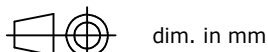


Part no:	Description:	Pos:	Cable-Ø:
42-00034	SAL-8S-RKC3-S6,5	3	5 - 6,5mm
42-00036	SAL-8S-RKC4-S6,5	4	5 - 6,5mm

DO NOT ALTER CAD DRAWING BY HAND

RoHS & REACH compliant

Index: c 01.09.2015 MG Ä5292  
Description changed, data sheet revised



	date	name
drawn	01.10.12	Gitinow
appd.	05.10.12	Hüther

general tolerance:	0 ± 0,50mm
	0,0 ± 0,25mm
	0,00 ± 0,10mm
	+ ± 5°



THIS DRAWING MAY NOT BE COPIED OR REPRODUCED IN ANY WAY, AND MAY NOT BE PASSED ON TO A THIRD PARTY WITHOUT WRITTEN PERMISSION. OWNERSHIP AND COPYRIGHT OF CONEC GmbH

title:	Female connector M8x1, field attachable, axial, shielded, with screw termination
dwg no:	42K1A325
part no:	see table