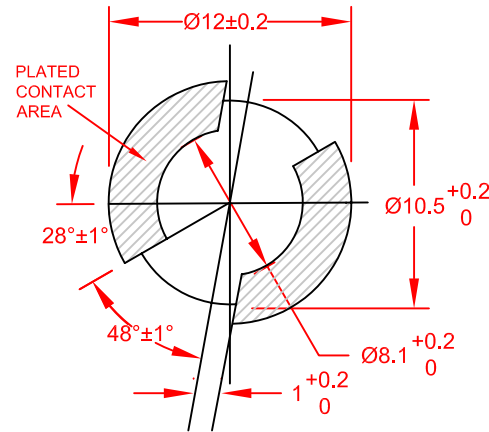
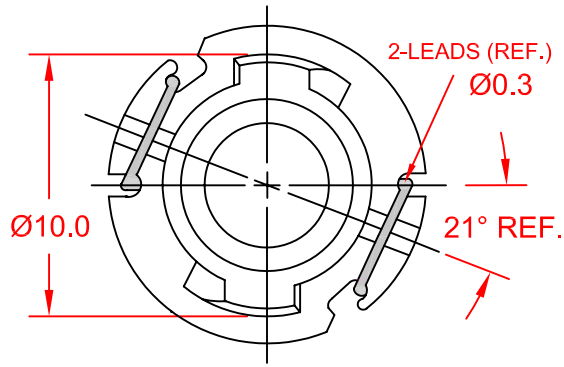
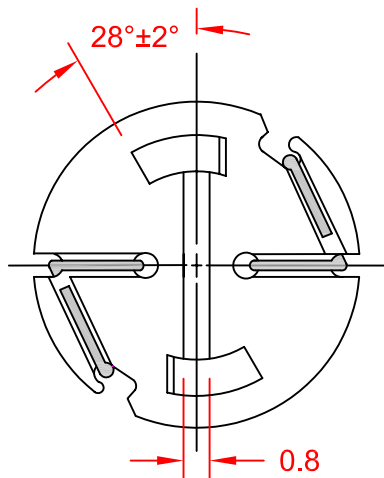
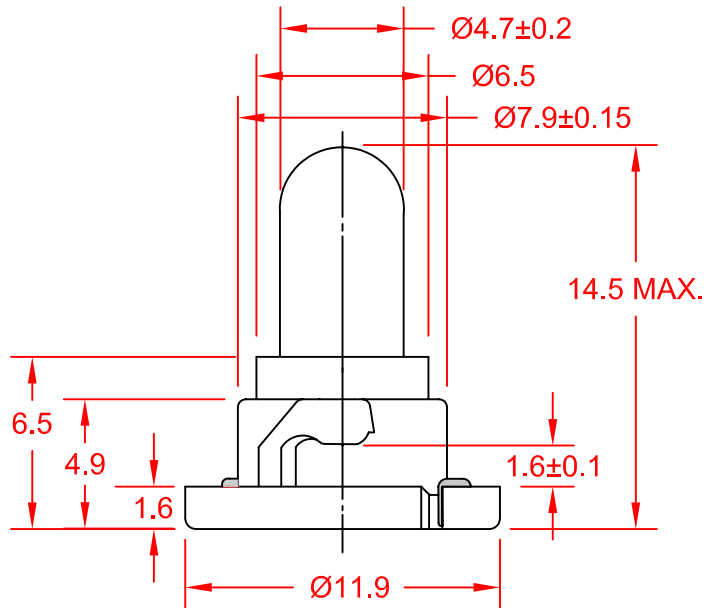


REV.	DESCRIPTION/ECO NO.	DATE
	RELEASED	9/21/83
H	CHANGE TO METRIC	11/9/98
I	DRAWING CONVERTED TO CAD- ADD LAMP EW87	1/5/00
J	LAMPS EW46, EW08, EW26, EW27, EW40, EW50, EW61, EW84, EW88	2/1/00
K	CHANGE ENW1-EW48 & ENW1-EW07 TO Pb FREE	3/29/05



PC BOARD PUNCH PATTERN

(NO TREATMENT SUCH AS APPLICATION OF FLUX, SHALL BE DONE.)



JKL LAMP NUMBER	VOLTS RATED	AMPS $\pm 10\%$	*MSCP $\pm 25\%$	*LUMENS $\pm 25\%$	AVERAGE LIFE HRS.	FILAMENT TYPE
ENW1-EW44	12.0	.040	.090	1.13	10,000	C-2V
**ENW1-EW48	14.0	.040	.150	1.89	16,000	C-2V
**ENW1-EW07	14.0	.080	.300	3.77	15,000	C-2V
ENW1-EW10	14.0	.100	.500	6.29	10,000	C-2F
ENW1-EW33	14.0	.125	.700	9.00	10,000	C-2F
ENW1-EW87	14.0	.140	.950	12.00	7,000	C-2V

* LAMP RATED ONLY (NOT IN BASE).

** LAMP GLASS AND BASE ASSEMBLY (Pb) FREE.

CONTACT JKL FOR LEAD (Pb) FREE LOT IDENTIFICATION.

METRIC		DIMENSIONS ARE IN MILLIMETERS		JKL COMPONENTS CORPORATION					
 THIRD ANGLE PROJECTION	TOLERANCE UNLESS OTHERWISE SPECIFIED		TITLE T-1 1/2 NEO-WEDGE BASE WITH MULTIPLE LAMP LISTING						
	1 PL +/- 0.2 2 PL +/- 0.20 ANGLE +/- 0		SIZE A	FSCM NO. 55335	DRAWING NO. ENW1-MULTI				
DRAWN BY L. WENGSTROM		APP'VD BY J.K.		DATE 3/29/05	SCALE NONE	RELEASED DATE 9/21/83	REVISION DATE 3/29/05	REV. NO. K	SHEET 1 OF 1
- CAD DRAWING - MANUAL REVISIONS NOT PERMITTED									