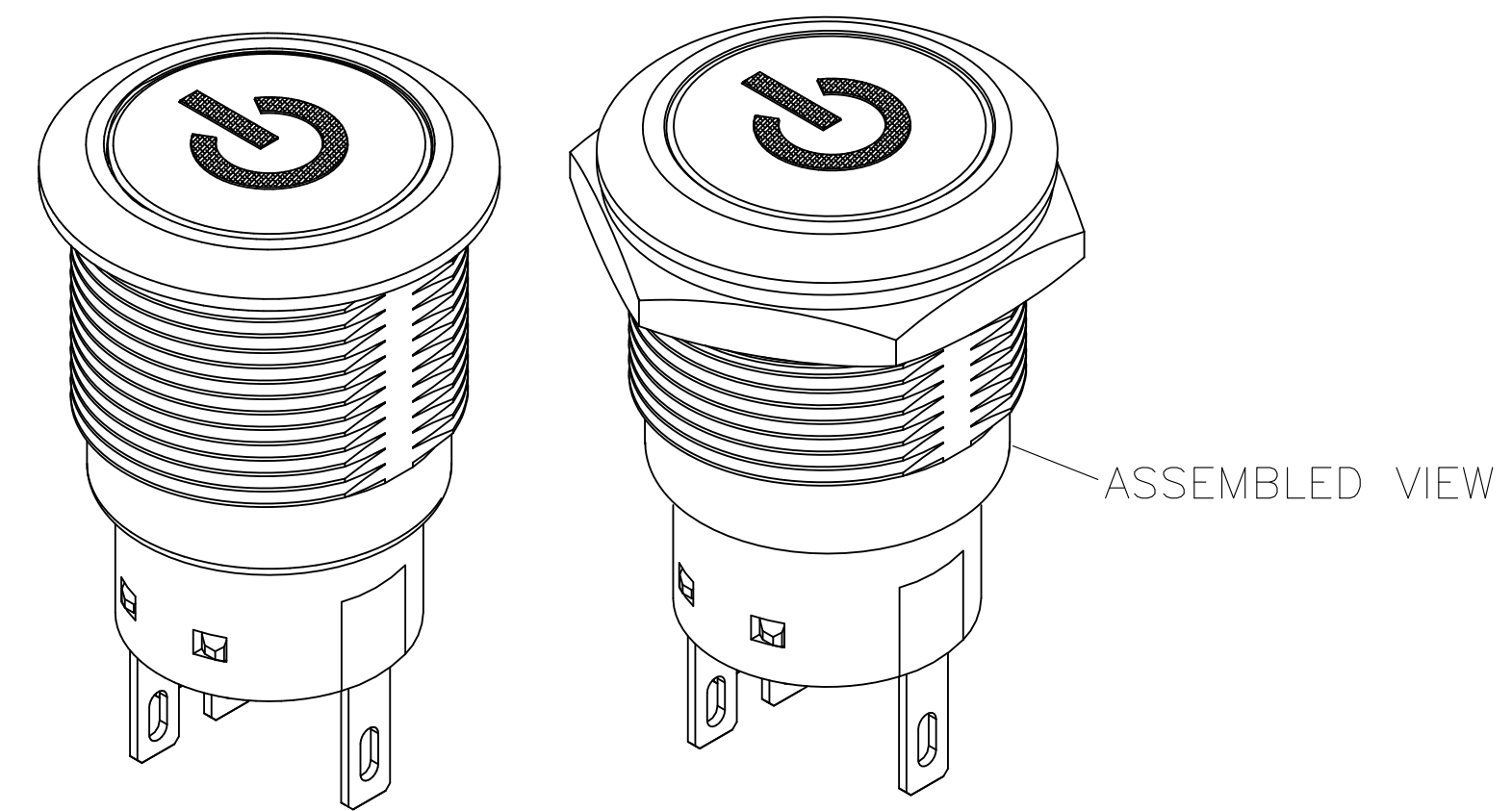
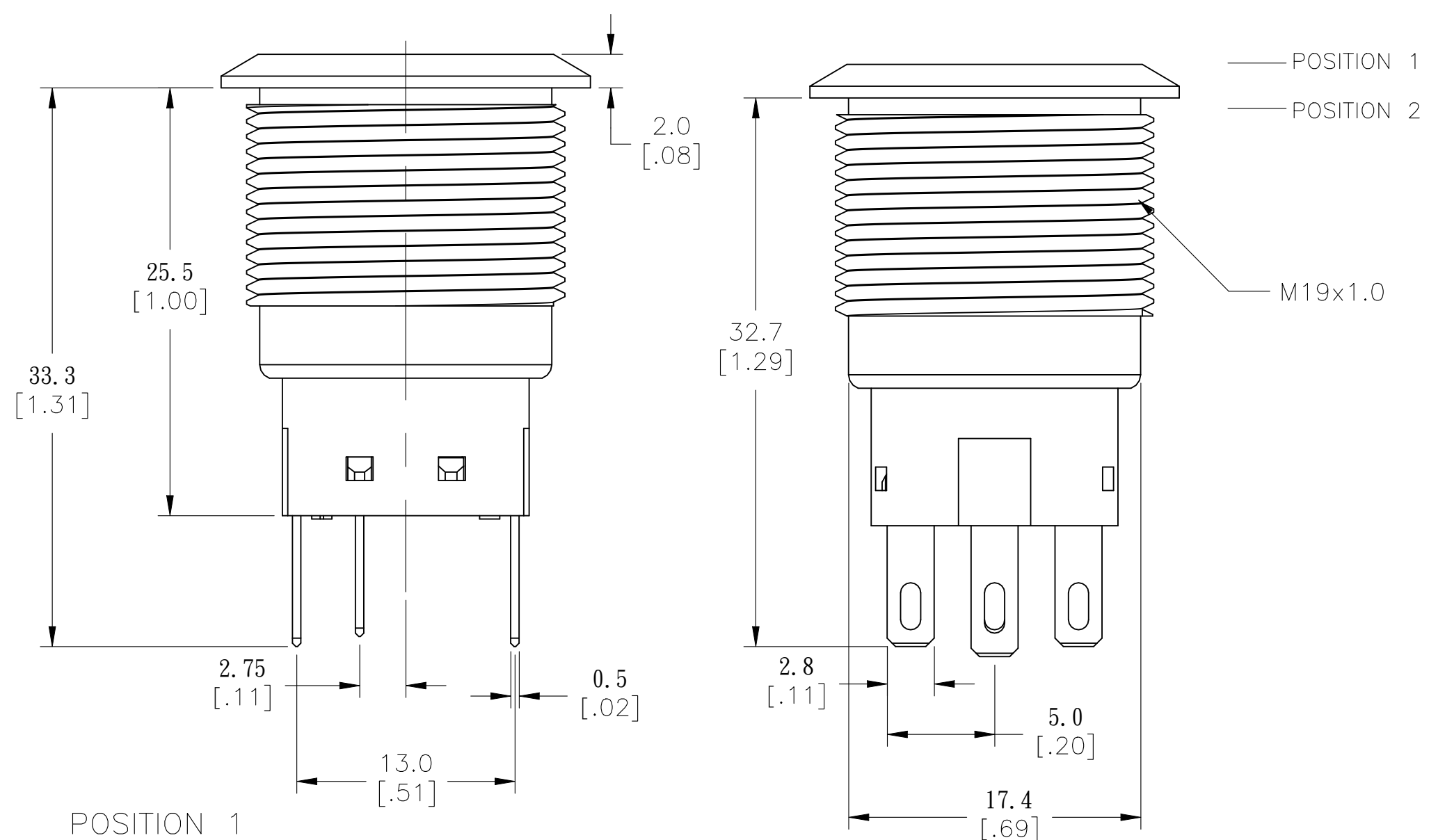


THIS DRAWING IS UNPUBLISHED. RELEASED FOR PUBLICATION  
© COPYRIGHT - By - ALL RIGHTS RESERVED.

REVISIONS					
P	LTR	DESCRIPTION	DATE	DWN	APVD
C		REVISED PER ECR-21-006029	02SEP2021	VG	PO



SPECIFICATIONS

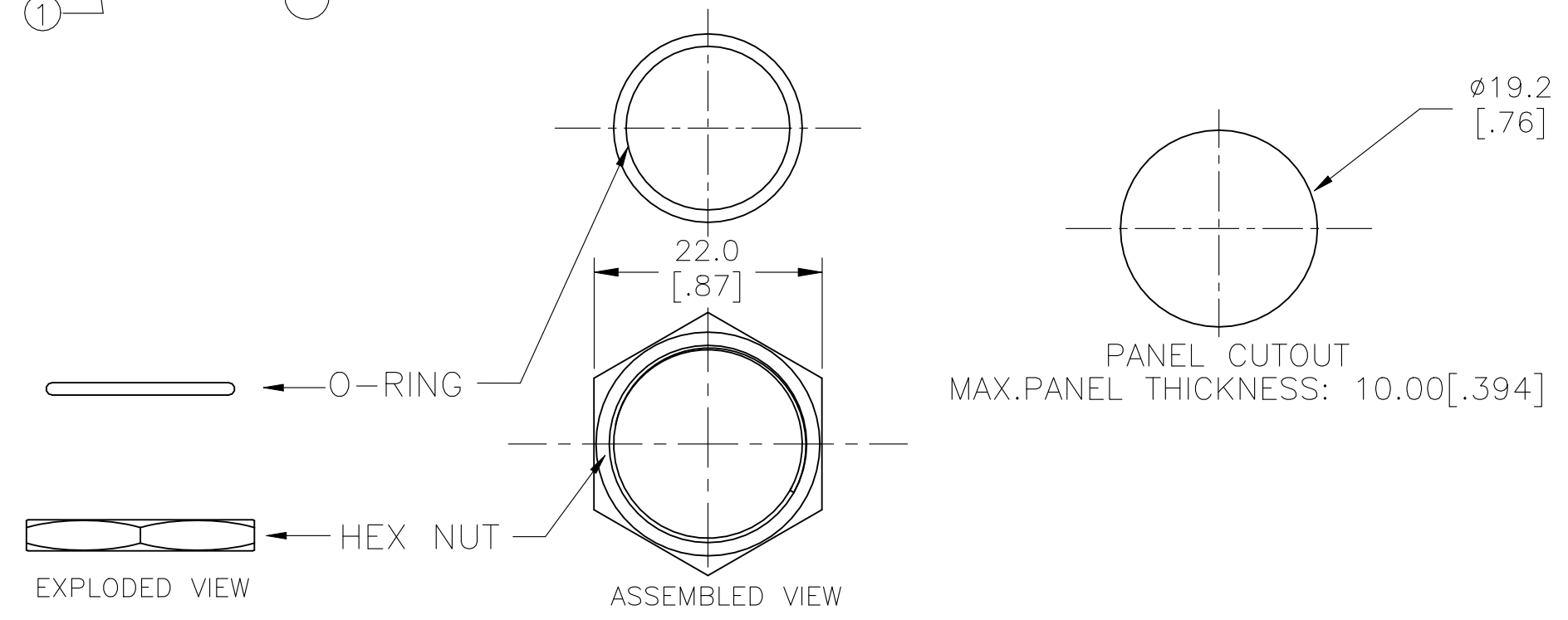
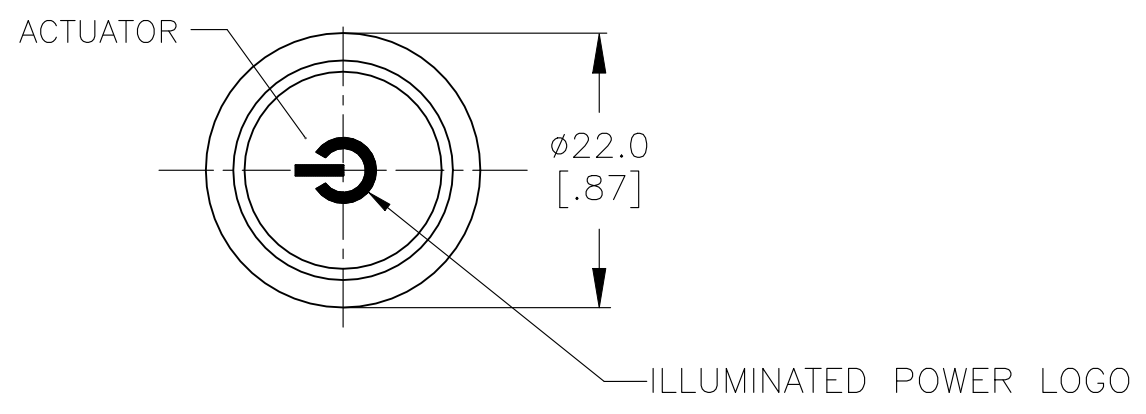
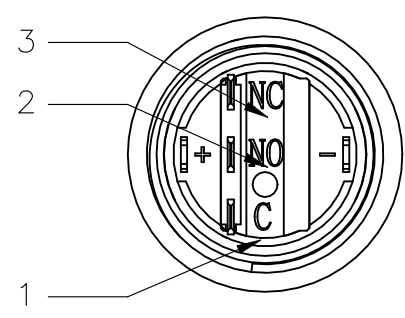
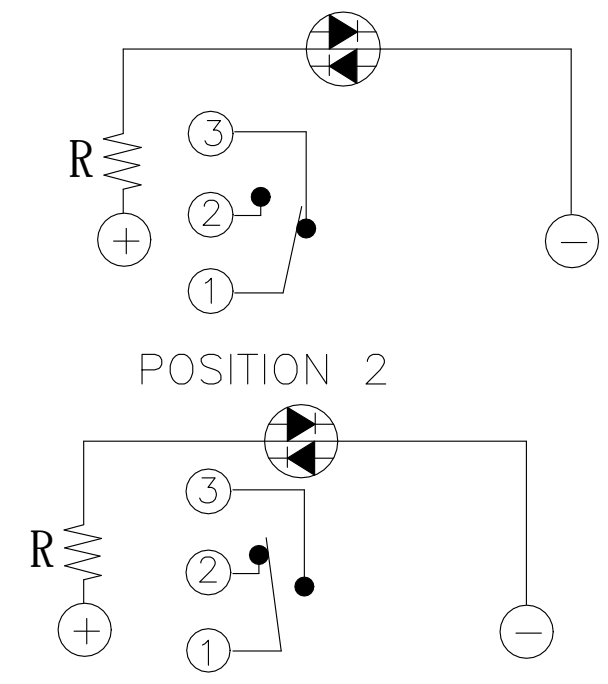
CONTACT RATING: SILVER: 3A @ 250 VAC RESISTIVE  
 GOLD: 0.4VA @ 20VDC OR PEAK AC  
 INSULATION RESISTANCE: 1,000MΩ MIN AT 500VDC  
 DIELECTRIC STRENGTH: 2,000V RMS @ SEA LEVEL  
 CONTACT RESISTANCE: 50 mΩ MAX @ 1A 12VDC (INITIAL VALUE)  
 ELECTRICAL LIFECYCLES: 50,000 MAKE AND BREAK CYCLES AT FULL LOAD

ACTUATION FORCE: SP: 2.5±1 NEWTON, DP: 3.5±1 NEWTON  
 ACTUATION TRAVEL: 3.2mm  
 SEALED PER IP67, IK10 (STAINLESS)  
 OPERATING TEMPERATURE: -20°C TO +55°C  
 MECHANICAL LIFECYCLES: MOMENTARY: 1,000,000 CYCLES  
 LOCKING: 500,000 CYCLES  
 HARDWARE TORQUE: 5-14 N-m

MATERIALS

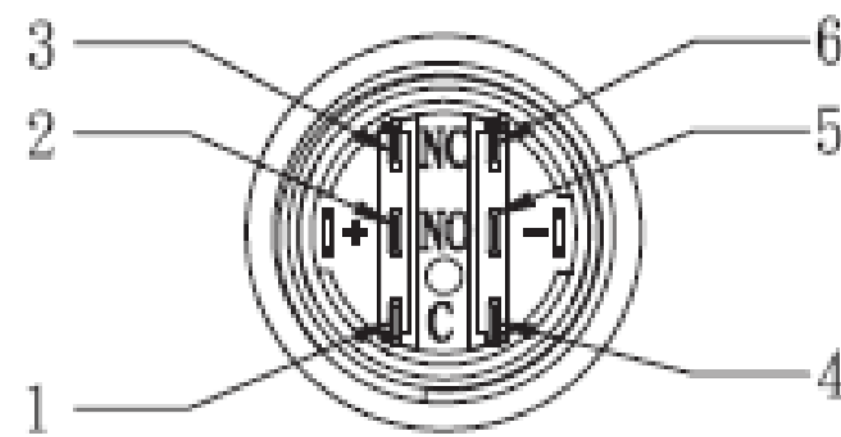
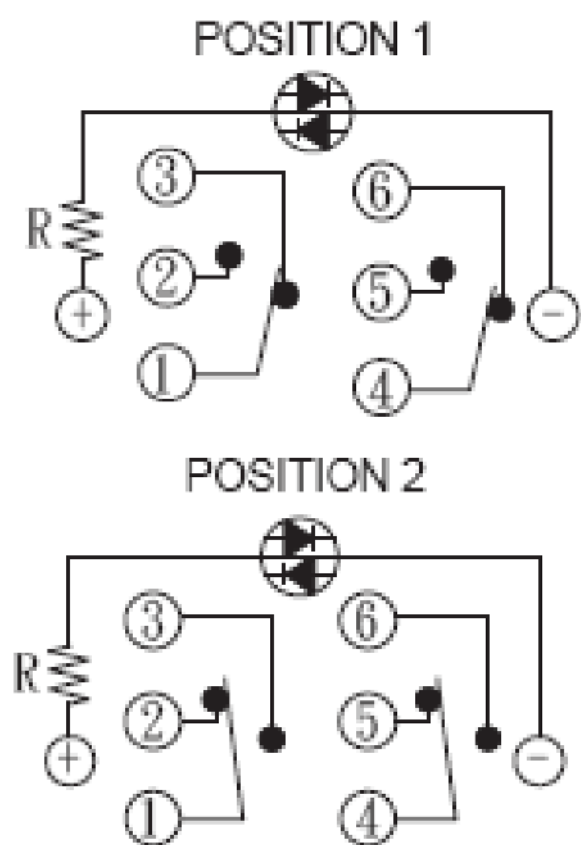
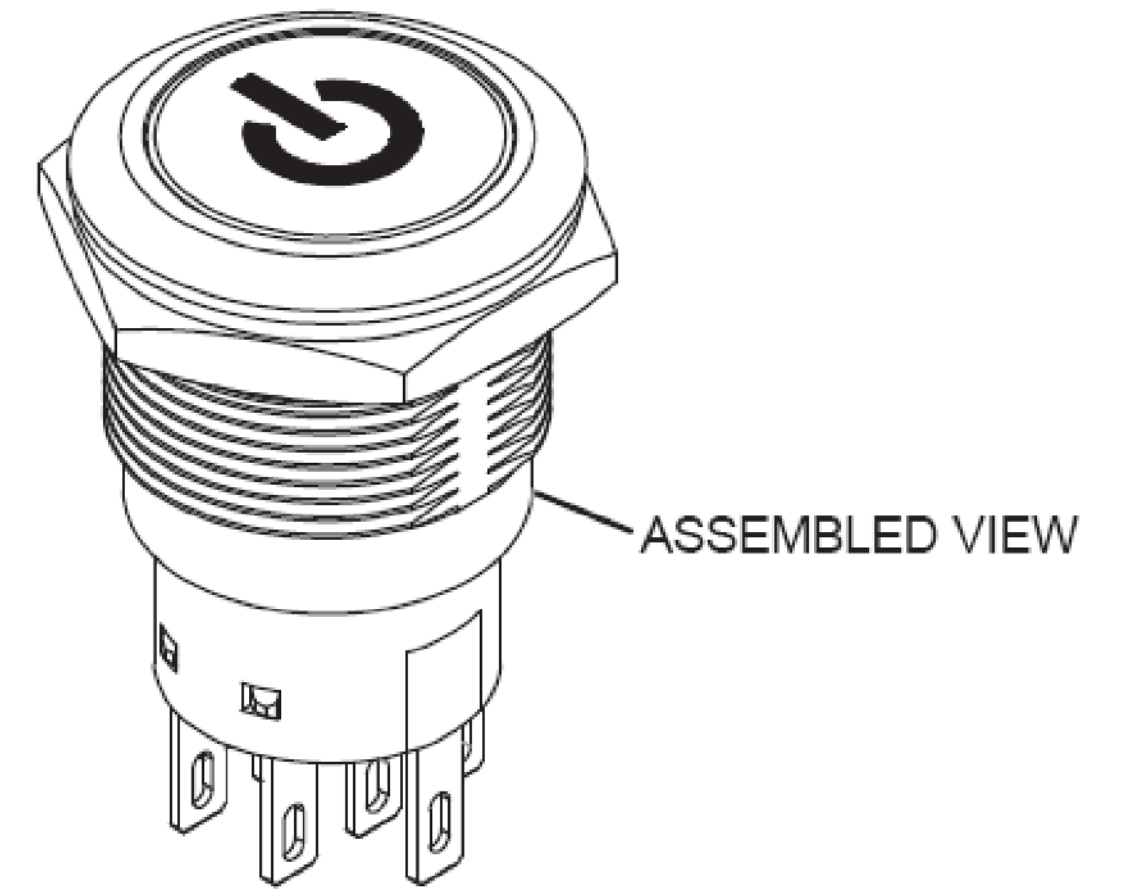
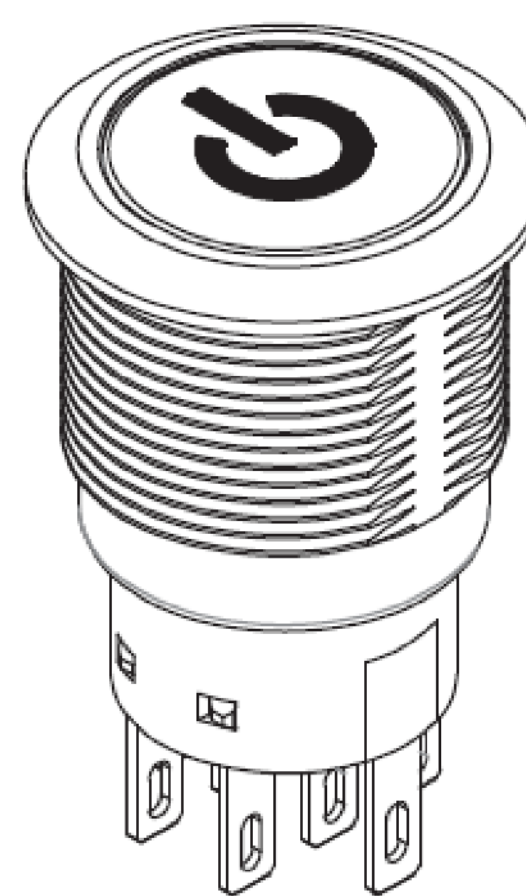
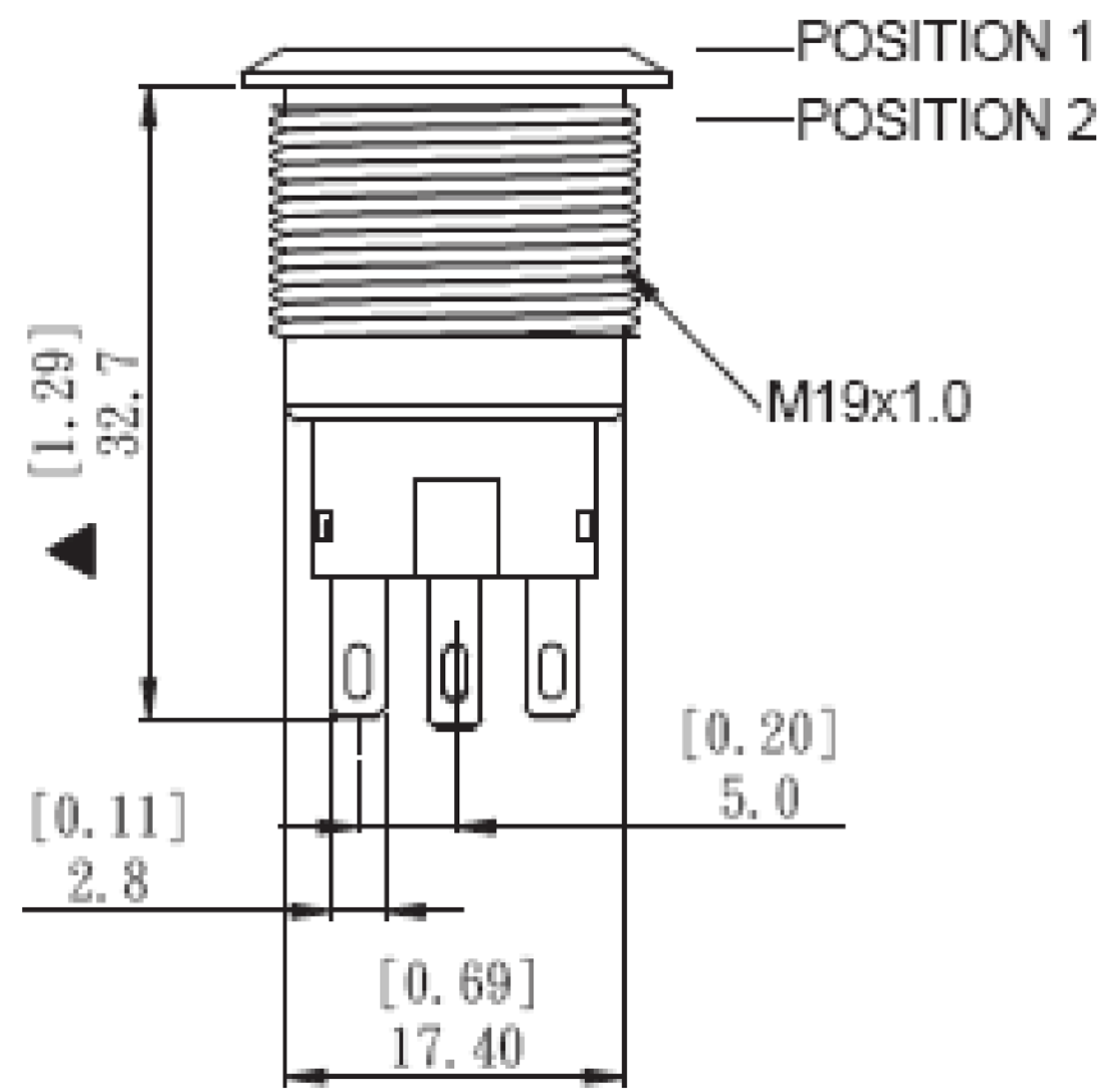
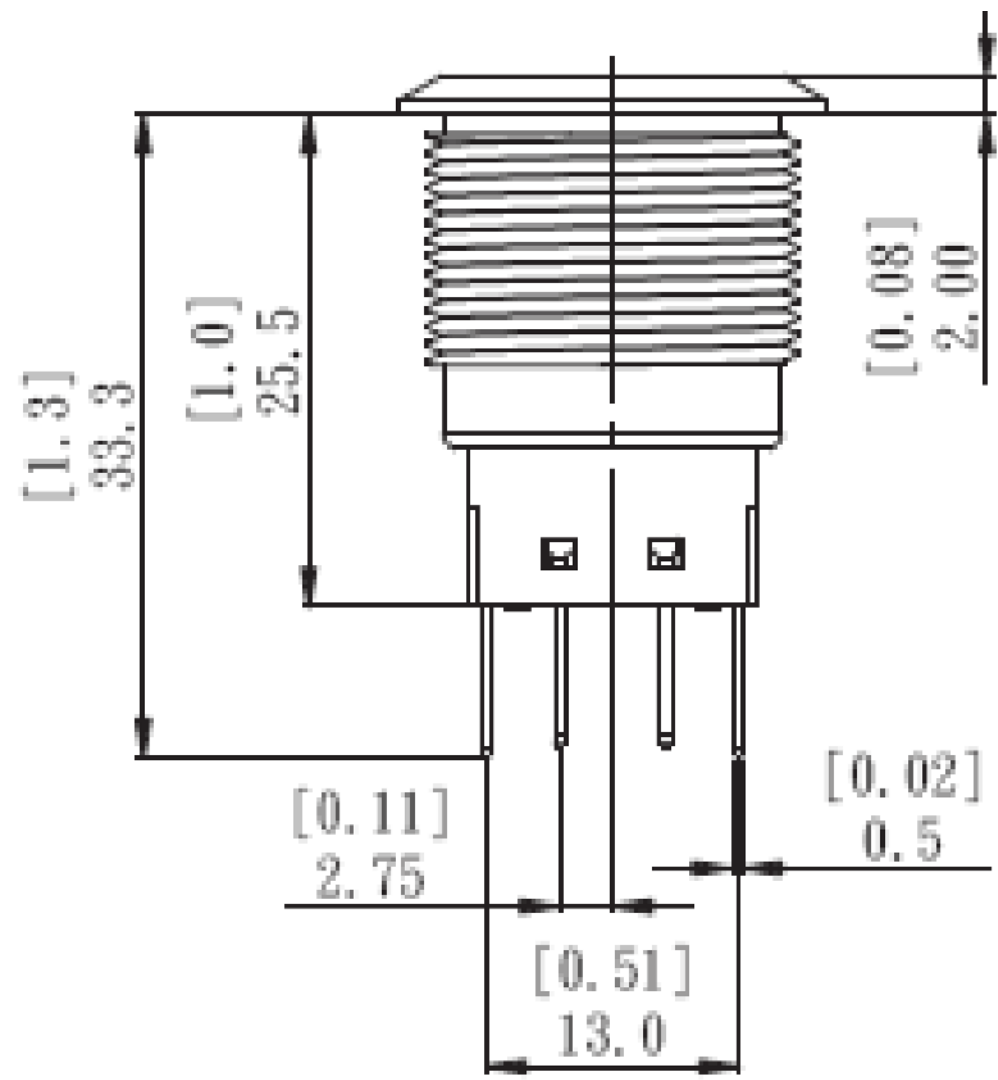
BUSHING: STAINLESS STEEL  
 BASE: PBT (UL 94-V0), PC (UL 94-V2)  
 ACTUATOR: STAINLESS STEEL, PC  
 SEALING: O-RING (SILICONE)  
 TERMINAL/CONTACT: COPPER BASE, SILVER/GOLD PLATED  
 HEX NUT: BRASS BASE, NICKEL PLATED

1 ALL MATERIAL AND FINISHES SHALL COMPLY WITH EU DIRECTIVE 2002/95/EC OF 27JAN2003 (ROHS)



THIS DRAWING IS A CONTROLLED DOCUMENT.		DWN NAGALAKSHMI K 08FEB2016	<b>STE</b> TE Connectivity	
DIMENSIONS: mm [INCHES]		CHK HILL RYAN 08FEB2016		
TOLERANCES UNLESS OTHERWISE SPECIFIED:		APVD HILL RYAN 08FEB2016	NAME ANTI-VANDAL SWITCH 19mm POWER LOGO LED	
0 PLC ± - 1 PLC ± - 2 PLC ± - 3 PLC ± - 4 PLC ± - ANGLES ± -		PRODUCT SPEC	SIZE A2	CAGE CODE 00779
MATERIAL -		FINISH -	DRAWING NO C=2213766	RESTRICTED TO -
		WEIGHT 0	SCALE 6:1	SHEET 1 of 3
		CUSTOMER DRAWING	REV C	


REVISIONS					
P	LTR	DESCRIPTION	DATE	DWN	APVD
-	-	SEE SHEET 1	-	-	-



THIS DRAWING IS A CONTROLLED DOCUMENT.		DWN NAGALAKSHMI K 08FEB2016																					
DIMENSIONS: mm [INCHES]		CHK HILL RYAN 08FEB2016																					
TOLERANCES UNLESS OTHERWISE SPECIFIED:		APVD HILL RYAN 08FEB2016	NAME ANTI-VANDAL SWITCH 19mm POWER LOGO LED																				
<table border="1"> <tr><td>0 PLC</td><td>±</td><td>-</td></tr> <tr><td>1 PLC</td><td>±</td><td>-</td></tr> <tr><td>2 PLC</td><td>±</td><td>-</td></tr> <tr><td>3 PLC</td><td>±</td><td>-</td></tr> <tr><td>4 PLC</td><td>±</td><td>-</td></tr> <tr><td>ANGLES</td><td>±</td><td>-</td></tr> </table>		0 PLC	±	-	1 PLC	±	-	2 PLC	±	-	3 PLC	±	-	4 PLC	±	-	ANGLES	±	-	PRODUCT SPEC -	SIZE A2	CAGE CODE 00779	DRAWING NO C=2213766
0 PLC	±	-																					
1 PLC	±	-																					
2 PLC	±	-																					
3 PLC	±	-																					
4 PLC	±	-																					
ANGLES	±	-																					
MATERIAL -		FINISH -	WEIGHT -	SCALE NTS	SHEET 2 of 3																		
CUSTOMER DRAWING			RESTRICTED TO -	REV C																			

THIS DRAWING IS UNPUBLISHED.		RELEASED FOR PUBLICATION				REVISIONS					
© COPYRIGHT - By -		ALL RIGHTS RESERVED.				P	LTR	DESCRIPTION	DATE	DWN	APVD
DOUBLE POLE-MOMENTARY	SILVER	WHITE	24V	AV1920P124Q04	4-2213766-3						
	GOLD	WHITE	12V	AV1920P112R04	4-2213766-2						
SINGLE POLE-LOCKING	SILVER	WHITE	12V	AV1920P112Q04	4-2213766-1						
	GOLD	BLUE	24V	AV1911P724R04	4-2213766-0						
	SILVER	BLUE	24V	AV1911P724Q04	3-2213766-9						
	GOLD	BLUE	12V	AV1911P712R04	3-2213766-8						
	SILVER	BLUE	12V	AV1911P712Q04	3-2213766-7						
	GOLD	GREEN	24V	AV1911P624R04	3-2213766-6						
	SILVER	GREEN	24V	AV1911P624Q04	3-2213766-5						
	GOLD	GREEN	12V	AV1911P612R04	3-2213766-4						
	SILVER	GREEN	12V	AV1911P612Q04	3-2213766-3						
	GOLD	YELLOW	24V	AV1911P524R04	3-2213766-2						
	SILVER	YELLOW	24V	AV1911P524Q04	3-2213766-1						
	GOLD	YELLOW	12V	AV1911P512R04	3-2213766-0						
	SILVER	YELLOW	12V	AV1911P512Q04	2-2213766-9						
	GOLD	RED	24V	AV1911P324R04	2-2213766-8						
	SILVER	RED	24V	AV1911P324Q04	2-2213766-7						
	GOLD	RED	12V	AV1911P312R04	2-2213766-6						
	SILVER	RED	12V	AV1911P312Q04	2-2213766-5						
	GOLD	WHITE	24V	AV1911P124R04	2-2213766-4						
	SILVER	WHITE	24V	AV1911P124Q04	2-2213766-3						
	GOLD	WHITE	12V	AV1911P112R04	2-2213766-2						
SILVER	WHITE	12V	AV1911P112Q04	2-2213766-1							
SINGLE POLE-MOMENTARY	GOLD	BLUE	24V	AV1910P724R04	2-2213766-0						
	SILVER	BLUE	24V	AV1910P724Q04	1-2213766-9						
	GOLD	BLUE	12V	AV1910P712R04	1-2213766-8						
	SILVER	BLUE	12V	AV1910P712Q04	1-2213766-7						
	GOLD	GREEN	24V	AV1910P624R04	1-2213766-6						
	SILVER	GREEN	24V	AV1910P624Q04	1-2213766-5						
	GOLD	GREEN	12V	AV1910P612R04	1-2213766-4						
	SILVER	GREEN	12V	AV1910P612Q04	1-2213766-3						
	GOLD	YELLOW	24V	AV1910P524R04	1-2213766-2						
	SILVER	YELLOW	24V	AV1910P524Q04	1-2213766-1						
	GOLD	YELLOW	12V	AV1910P512R04	1-2213766-0						
	SILVER	YELLOW	12V	AV1910P512Q04	2213766-9						
	GOLD	RED	24V	AV1910P324R04	2213766-8						
	SILVER	RED	24V	AV1910P324Q04	2213766-7						
	GOLD	RED	12V	AV1910P312R04	2213766-6						
	SILVER	RED	12V	AV1910P312Q04	2213766-5						
	GOLD	WHITE	24V	AV1910P124R04	2213766-4						
	SILVER	WHITE	24V	AV1910P124Q04	2213766-3						
	GOLD	WHITE	12V	AV1910P112R04	2213766-2						
	SILVER	WHITE	12V	AV1910P112Q04	2213766-1						
POLE/THROW	CONTACT	LED COLOUR	LED VOLTAGE	TE DESCRIPTIVE PN	TE PART NUMBER						

THIS DRAWING IS UNPUBLISHED.		RELEASED FOR PUBLICATION				REVISIONS					
© COPYRIGHT - By -		ALL RIGHTS RESERVED.				P	LTR	DESCRIPTION	DATE	DWN	APVD
DOUBLE POLE-LOCKING	GOLD	BLUE	24V	AV1921P724R04	8-2213766-0						
	SILVER	BLUE	24V	AV1921P724Q04	7-2213766-9						
	GOLD	BLUE	12V	AV1921P712R04	7-2213766-8						
	SILVER	BLUE	12V	AV1921P712Q04	7-2213766-7						
	GOLD	GREEN	24V	AV1921P624R04	7-2213766-6						
	SILVER	GREEN	24V	AV1921P624Q04	7-2213766-5						
	GOLD	GREEN	12V	AV1921P612R04	7-2213766-4						
	SILVER	GREEN	12V	AV1921P612Q04	7-2213766-3						
	GOLD	YELLOW	24V	AV1921P524R04	7-2213766-2						
	SILVER	YELLOW	24V	AV1921P524Q04	7-2213766-1						
	GOLD	YELLOW	12V	AV1921P512R04	7-2213766-0						
	SILVER	YELLOW	12V	AV1921P512Q04	6-2213766-9						
	GOLD	RED	24V	AV1921P324R04	6-2213766-8						
	SILVER	RED	24V	AV1921P324Q04	6-2213766-7						
	GOLD	RED	12V	AV1921P312R04	6-2213766-6						
	SILVER	RED	12V	AV1921P312Q04	6-2213766-5						
	GOLD	WHITE	24V	AV1921P124R04	6-2213766-4						
	SILVER	WHITE	24V	AV1921P124Q04	6-2213766-3						
	GOLD	WHITE	12V	AV1921P112R04	6-2213766-2						
	SILVER	WHITE	12V	AV1921P112Q04	6-2213766-1						
DOUBLE POLE-MOMENTARY	GOLD	BLUE	24V	AV1920P724R04	6-2213766-0						
	SILVER	BLUE	24V	AV1920P724Q04	5-2213766-9						
	GOLD	BLUE	12V	AV1920P712R04	5-2213766-8						
	SILVER	BLUE	12V	AV1920P712Q04	5-2213766-7						
	GOLD	GREEN	24V	AV1920P624R04	5-2213766-6						
	SILVER	GREEN	24V	AV1920P624Q04	5-2213766-5						
	GOLD	GREEN	12V	AV1920P612R04	5-2213766-4						
	SILVER	GREEN	12V	AV1920P612Q04	5-2213766-3						
	GOLD	YELLOW	24V	AV1920P524R04	5-2213766-2						
	SILVER	YELLOW	24V	AV1920P524Q04	5-2213766-1						
	GOLD	YELLOW	12V	AV1920P512R04	5-2213766-0						
	SILVER	YELLOW	12V	AV1920P512Q04	4-2213766-9						
	GOLD	RED	24V	AV1920P324R04	4-2213766-8						
	SILVER	RED	24V	AV1920P324Q04	4-2213766-7						
	GOLD	RED	12V	AV1920P312R04	4-2213766-6						
	SILVER	RED	12V	AV1920P312Q04	4-2213766-5						
	GOLD	WHITE	24V	AV1920P124R04	4-2213766-4						

THIS DRAWING IS A CONTROLLED DOCUMENT.		DWN	08FEB2016	 TE Connectivity	
DIMENSIONS: mm [INCHES]		CHK	08FEB2016		
TOLERANCES UNLESS OTHERWISE SPECIFIED:		NAME			
0 PLC ± - 1 PLC ± - 2 PLC ± - 3 PLC ± - 4 PLC ± - ANGLES ± -		NAGALAKSHMI K HILL RYAN HILL RYAN PRODUCT SPEC			
MATERIAL	FINISH	WEIGHT	-	SIZE	A2
CUSTOMER DRAWING		SCALE	NTS	CAGE CODE	00779
		DRAWING NO	C-2213766	DRAWING NO	
		RESTRICTED TO	-	SHEET	3 of 3
		REV	C		

2213766

A