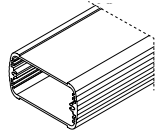
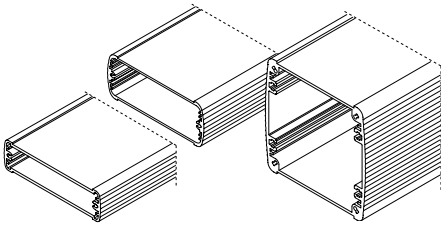


Profile cross-sections

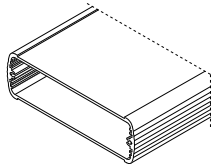
AB...600



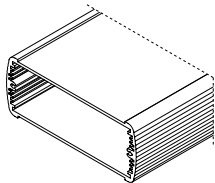
AB...820 / AB...800 / AB...880



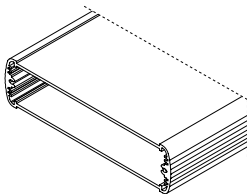
AB...1000



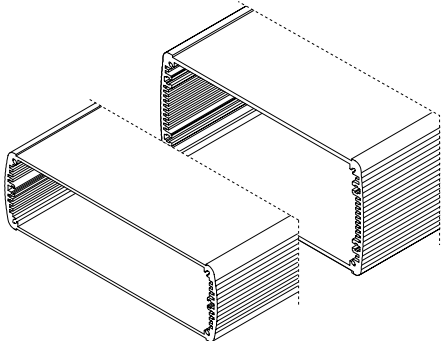
AB...1040



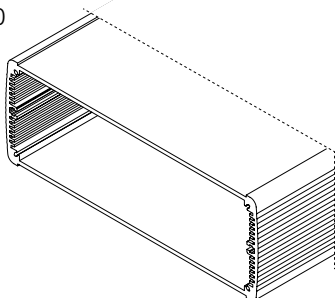
AB...1300



AB...1600 / AB...1680

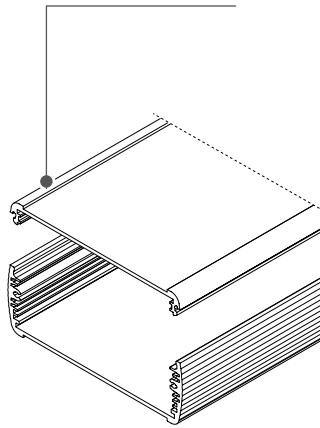


AB...2070

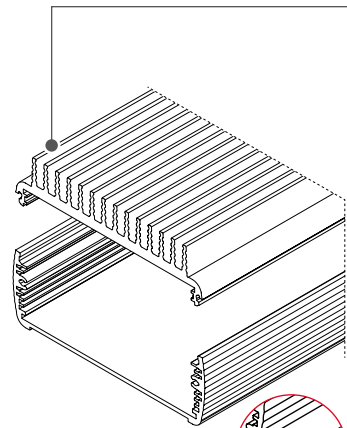


Enclosure versions

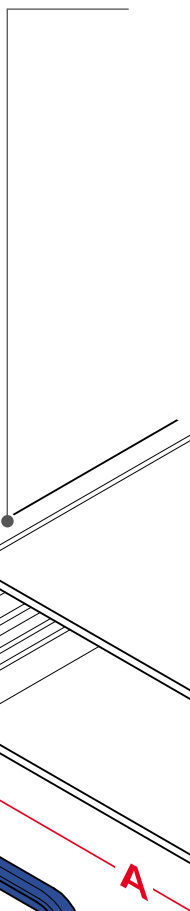
ABPH
(horizontally divided)



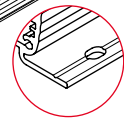
ABPH K
(horizontally divided, with heat sink)



ABP
(closed)



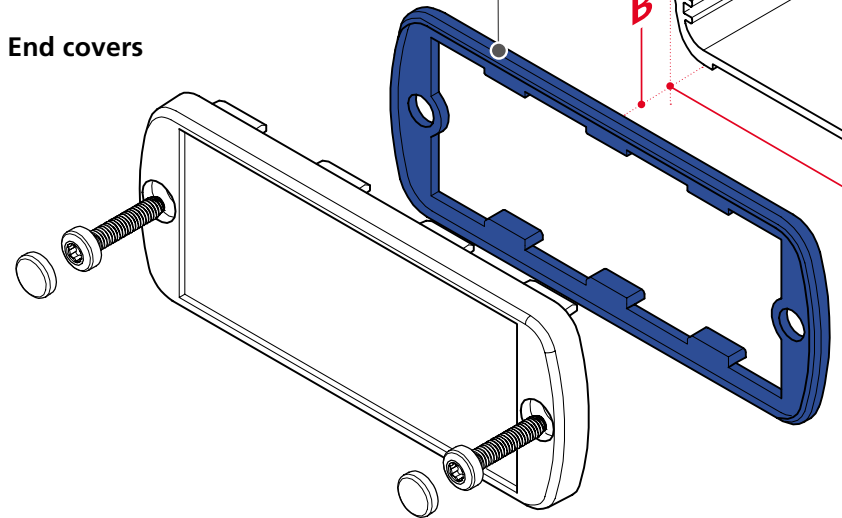
ABPH KWL
(horizontally divided, with heat sink and wall brackets)



Seals

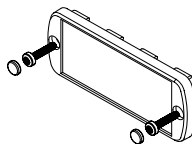


End covers

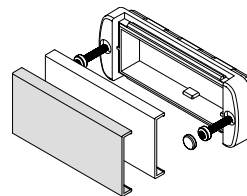


Lid variants

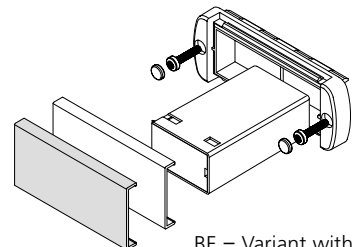
ABD



ABM-AL / ABM-IR

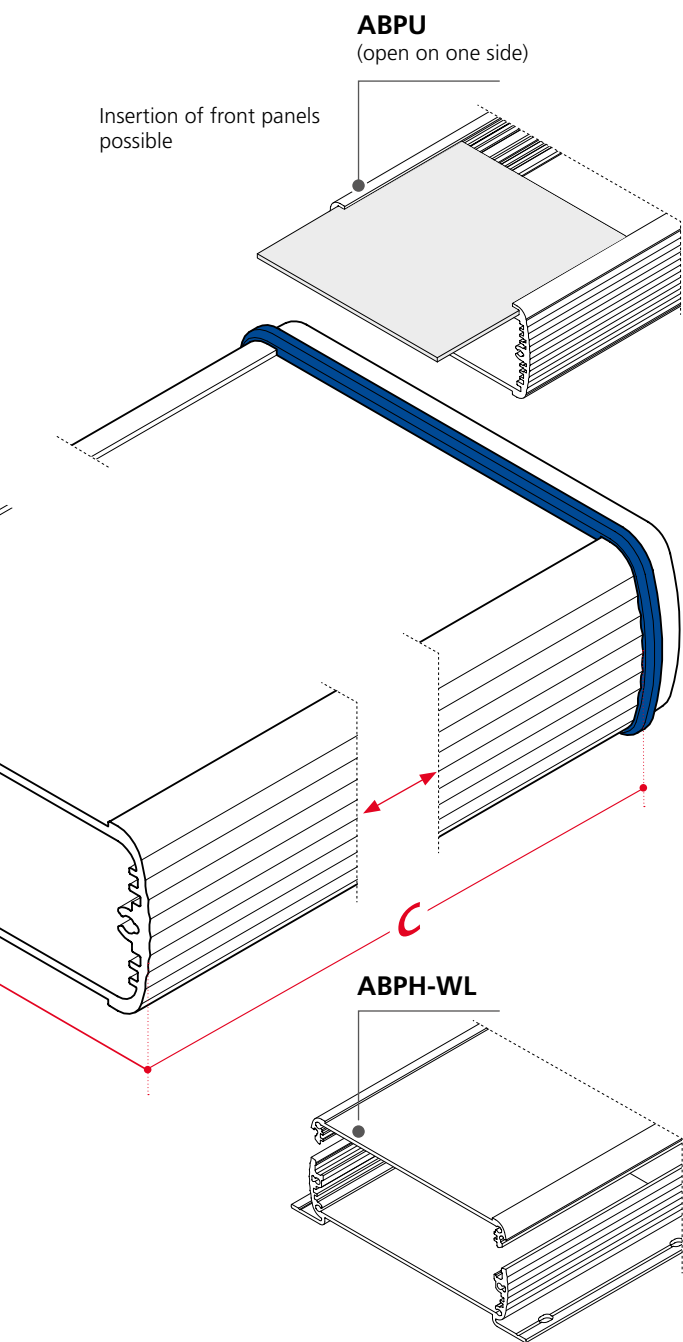


ABM-AL-BE / ABM-IR-BE

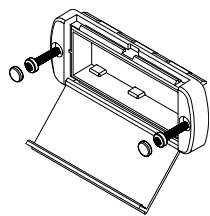


AL= aluminium cap
IR = infrared-permissive plastic cap

BE = Variant with battery compartment

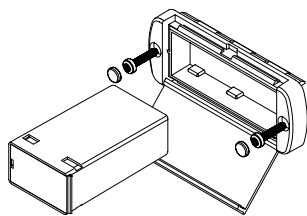


ABM-SAL



Variant with hinged lid

ABM-SAL-BE



BE = Variant with battery compartment

Dimensions

| Model | A | B | C |
|-------------------|------|---------|---|
| ABP...600 | 57 | 32 | * |
| ABP...800 / 820 | 82 | 32 / 22 | * |
| ABP...880 | 84,5 | 82 | * |
| ABP...1000 | 106 | 32 | * |
| ABP...1040 | 108 | 42 | * |
| ABP...1300 | 138 | 34 | * |
| ABP...1600 / 1680 | 169 | 52 / 82 | * |
| ABP...2070 | 210 | 74 | * |

* C = Standard lengths: 100 / 150 / 200 / 1000
individual profile lengths on request.

Profile variants

| Model | ABP | ABPH WL | ABPH | ABPU | ABPH K (WL) |
|------------|-----|---------|------|------|-------------|
| ABP...600 | ✓ | ✓ | ✓ | | ✓ |
| ABP...800 | ✓ | ✓ | ✓ | | |
| ABP...820 | ✓ | | ✓ | ✓ | |
| ABP...880 | ✓ | ✓ | | | |
| ABP...1000 | ✓ | ✓ | ✓ | ✓ | ✓ |
| ABP...1040 | ✓ | ✓ | ✓ | ✓ | |
| ABP...1300 | ✓ | ✓ | ✓ | ✓ | |
| ABP...1600 | ✓ | ✓ | ✓ | | ✓ |
| ABP...1680 | ✓ | ✓ | ✓ | ✓ | |
| ABP...2070 | ✓ | | | | |

Lid variants

| Model | ABD | ABM-AL-IR | ABM-AL-IR +BE | ABM-SAL | ABM-SAL +BE |
|-------------------|-----|-----------|---------------|---------|-------------|
| ABP...600 | ✓ | ✓ | ✓ | ✓ | ✓ |
| ABP...800 | ✓ | ✓ | ✓ | ✓ | ✓ |
| ABP...820 / 880 | ✓ | | | | |
| ABP...1000 | ✓ | ✓ | ✓ | ✓ | ✓ |
| ABP...1040 | ✓ | | | ✓ | |
| ABP...1300 | ✓ | | | ✓ | |
| ABP...1600 / 1680 | ✓ | | | | |
| ABP...2070 | ✓ | | | | |

Accessories



Wall brackets



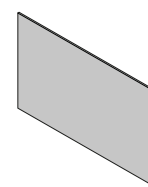
Wall brackets, adjustable



Handle / Tip-up bow



Mounting clamps



Front panels in different versions