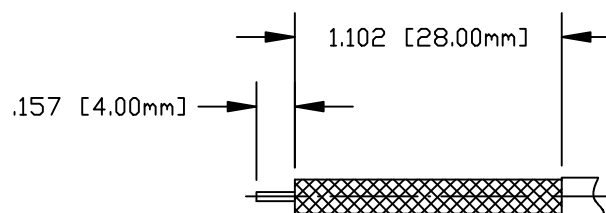
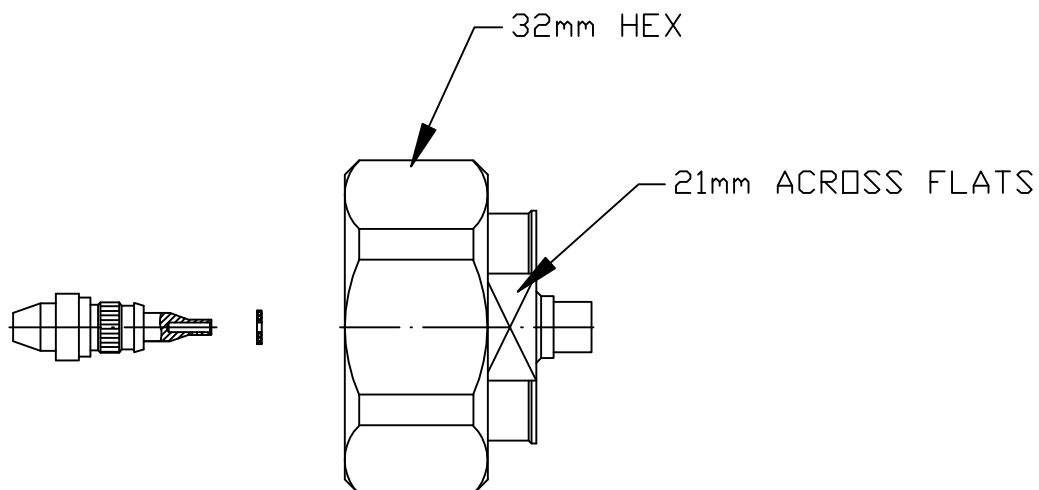


PART NO.

RFD-1601-SR2

REV	DESCRIPTION	DWN	DATE	APPROVED
-	ENGINEERING RELEASE	CZS	02/24/14	JDMc



TFT-402 CABLE

SPECIFICATIONS:

IMPEDANCE: 50 Ohms
 FREQUENCY RANGE: 0-3 GHz
 VSWR: <1.5:1 @ DC 3 GHz
 INSERTION LOSS: -0.1dB @ 3 GHz
 TEMPERATURE RANGE: -55°C TO 165°C

#	DESCRIPTION	QTY	MATERIAL	FINISH
6	HEX NUT	1	BRASS	WHITE BRONZE
5	O-RING	1	SILICONE	RED
4	INSULATOR DISC	1	PTFE	WHITE
3	PIN	1	BRASS	SILVER
2	INSULATOR	1	PTFE	WHITE
1	BODY	1	BRASS	WHITE BRONZE

CUSTOMER
OUTLINE DRAWINGALL DIMENSIONS
ARE REFERENCE ONLYUNLESS OTHERWISE SPECIFIED:
DIMENSIONS ARE IN INCHES
AND [MILLIMETERS]

DRAWN JDM	10/22/15
CHECKED	
ORJ DRAWN C. ZUNIGA	02/24/14

PROPRIETARY AND CONFIDENTIAL
 THIS DRAWING CONTAINS
 INFORMATION PROPRIETARY TO
 RF INDUSTRIES. ANY
 UNAUTHORIZED USE OF THIS
 DRAWING IS EXPRESSLY
 PROHIBITED WITHOUT WRITTEN
 PERMISSION FROM RF
 INDUSTRIES. ANY VIOLATION IS
 PUNISHABLE UNDER U.S.
 COPYRIGHT LAWS.

RFconnectors
 DIVISION OF RF INDUSTRIES, LTD.

7610 MIRAMAR RD.
 SAN DIEGO, CA 92126
 (858) 549-6340
 (858) 549-6345 FAX

7/16 DIN PLUG

SIZE	CABLE GROUP	DWG NO.	REV
A	SR2	RFD-1601-SR2	-
SCALE: NTS	ENGINEERING ID: 001787	SHEET 1 OF 1	