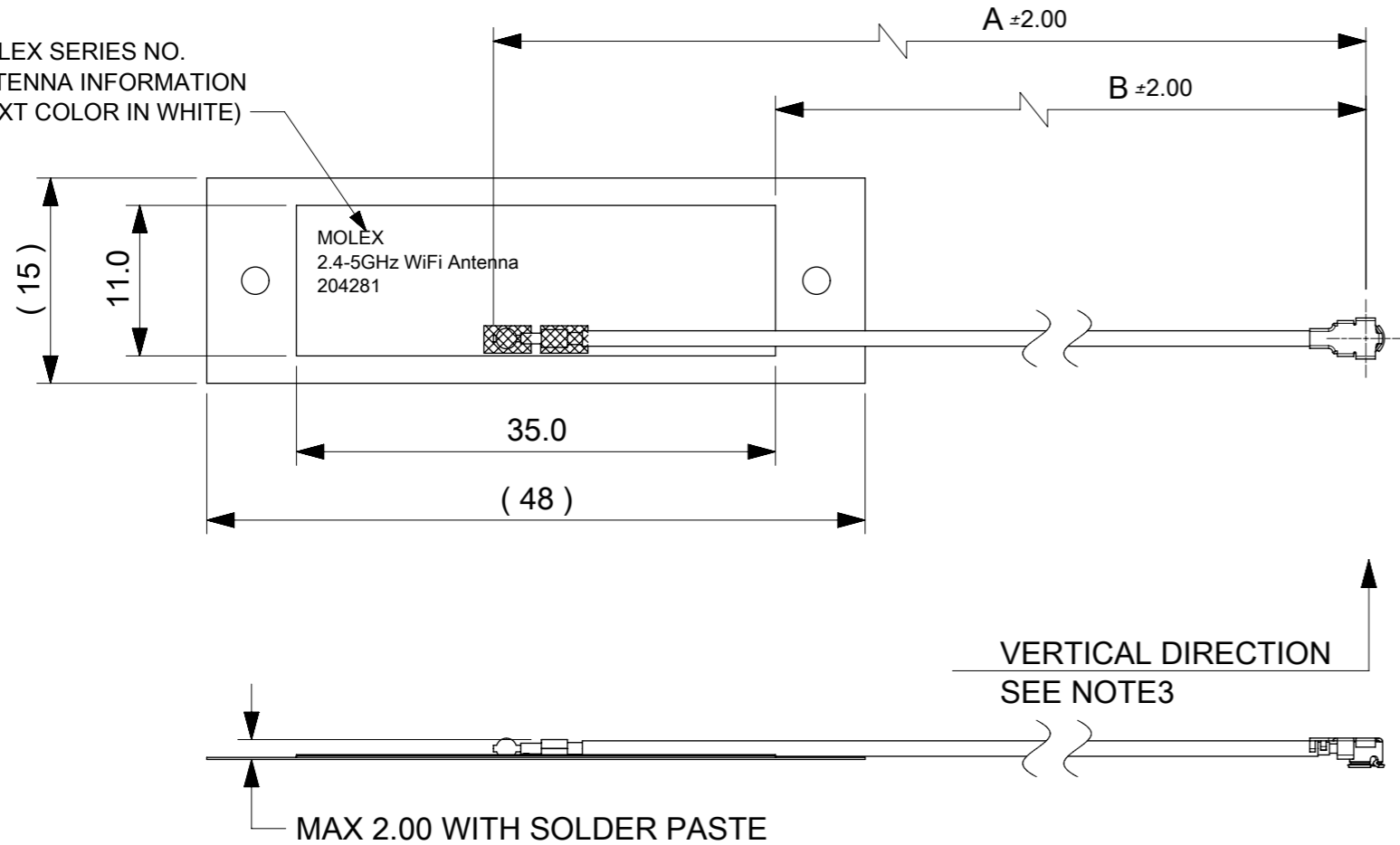
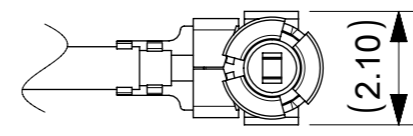
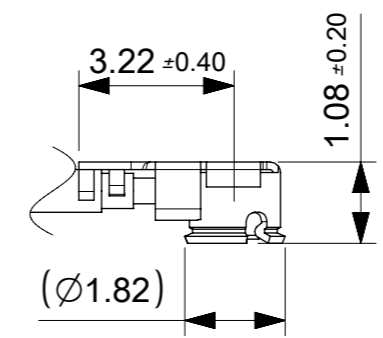
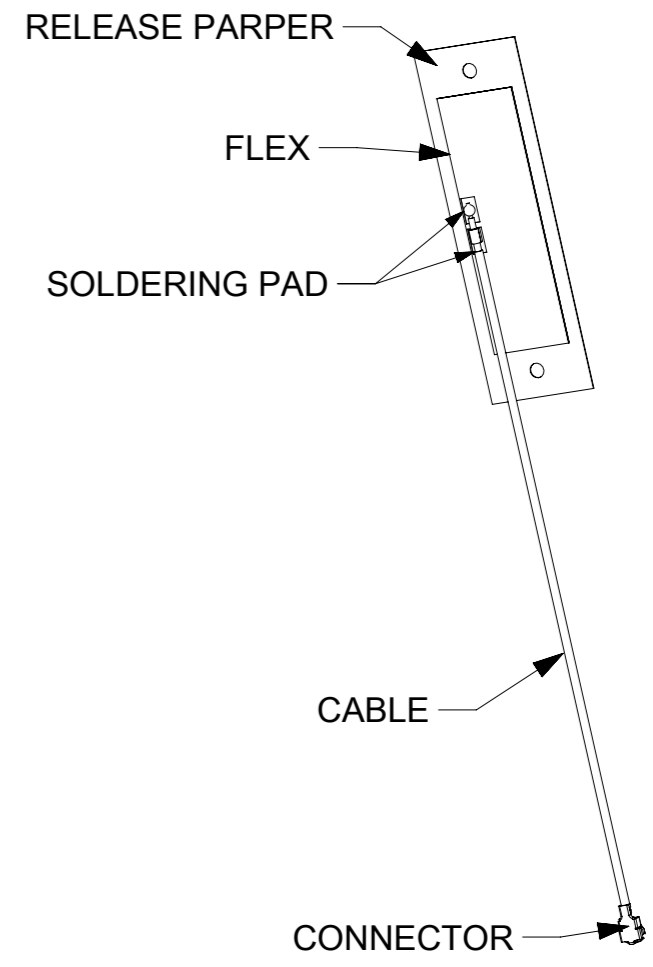


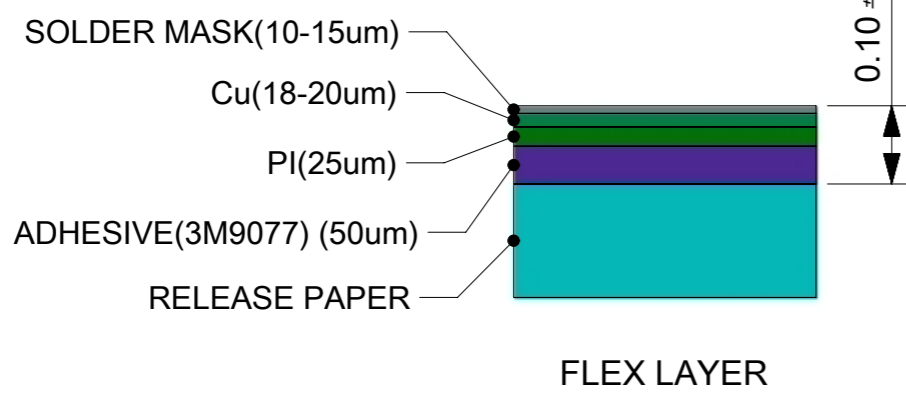
MOLEX SERIES NO.
ANTENNA INFORMATION
(TEXT COLOR IN WHITE)



VERTICAL DIRECTION
SEE NOTE3



U.FL CONNECTOR



FLEX LAYER

- NOTES:
- MATERIAL:
FLEX: SEE FLEX LAYER
CABLE: $\varnothing 1.13\text{mm}$
CONNECTOR: I-PEX MHF 4L PLUG P/N:20565-001R-13
 - SOLDER MASK COLOR: BLACK
 - CAN'T LIFT UP CABLE IN VERTICAL DIRECTION
 - APPLICATION SPEC REFER TO AS OF 2042810100
 - PRODUCT SPEC REFER TO PS OF 2042810100
 - PACKAGING SPEC REFER TO PK OF 2042810100

ITEM	MATERIAL NO.	DIM "A"	DIM "B"
1	2042811050	50mm	30mm
2	2042811100	100mm	80mm
3	2042811150	150mm	130mm
4	2042811200	200mm	180mm
5	2042811250	250mm	230mm
6	2042811300	300mm	280mm

FUNCTIONAL SYMBOLS FA = 0 FE = 0 FEV = 0	THIS DRAWING CONTAINS INFORMATION THAT IS PROPRIETARY TO MOLEX ELECTRONIC TECHNOLOGIES, LLC AND SHOULD NOT BE USED WITHOUT WRITTEN PERMISSION	CURRENT REV DESC:												
	DIMENSION UNITS: mm	SCALE: 2:1	GENERAL TOLERANCES (UNLESS SPECIFIED)				WIFI6E FLEX CABLED SIDE-FED BALANCED ANT							
DIVISIONAL SYMBOLS	ANGULAR TOL ± °		4 PLACES ±		EC NO: 645244									
	3 PLACES ± 0.2		2 PLACES ± 0.25		DRWN: KCHENG06 2020/07/06									
	1 PLACE ± 0.3		0 PLACES ± 0.5		CHK'D: XJSONG 2020/09/15									
	DRAFT WHERE APPLICABLE MUST REMAIN WITHIN DIMENSIONS		THIRD ANGLE PROJECTION		APPR: XJSONG 2020/09/15									
INITIAL REVISION:			DOCUMENT NUMBER			DOC TYPE			DOC PART			REVISION		
DRWN: KCHENG06 2017/11/02			2042811100			PSD			000			B		
APPR: XJSONG 2017/11/06			MATERIAL NUMBER			CUSTOMER			SHEET NUMBER					
A3-SIZE			204281			SEE TABLE			GENERAL MARKET			1 OF 1		