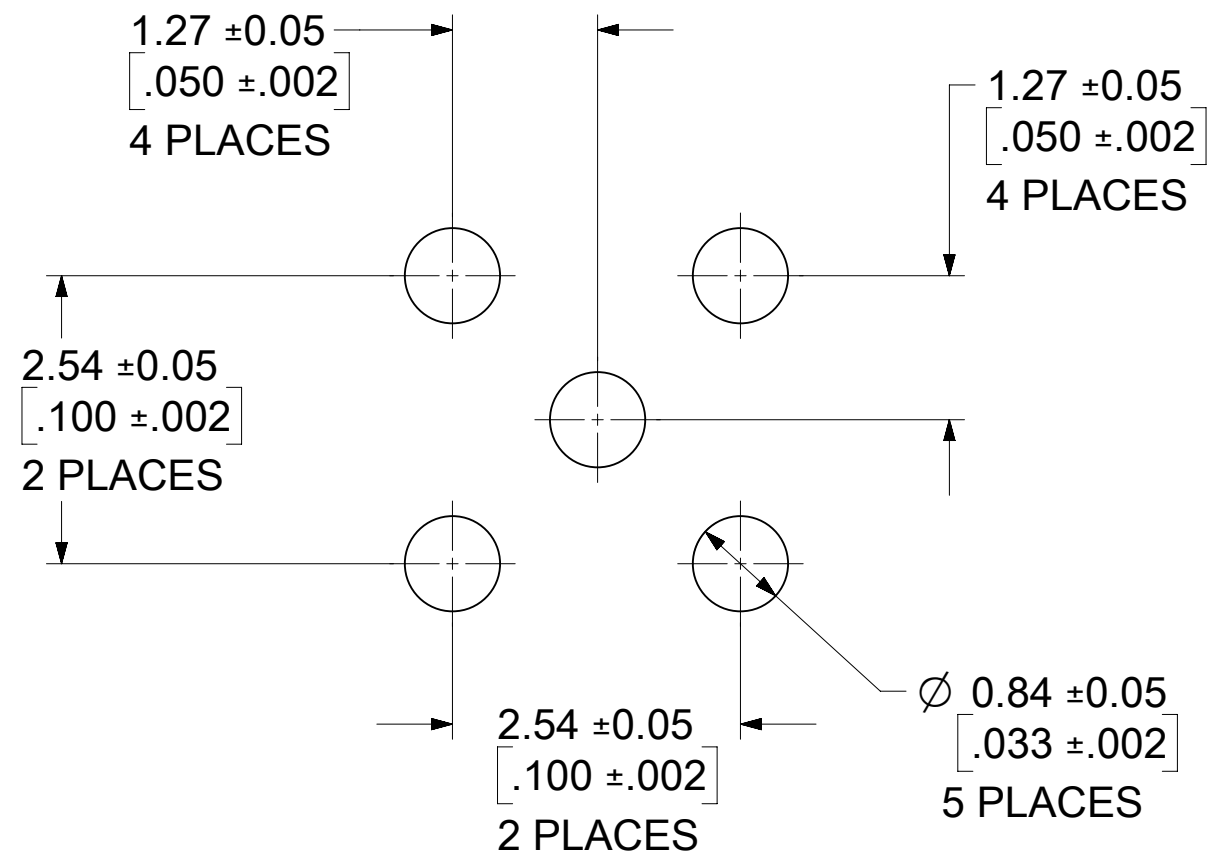
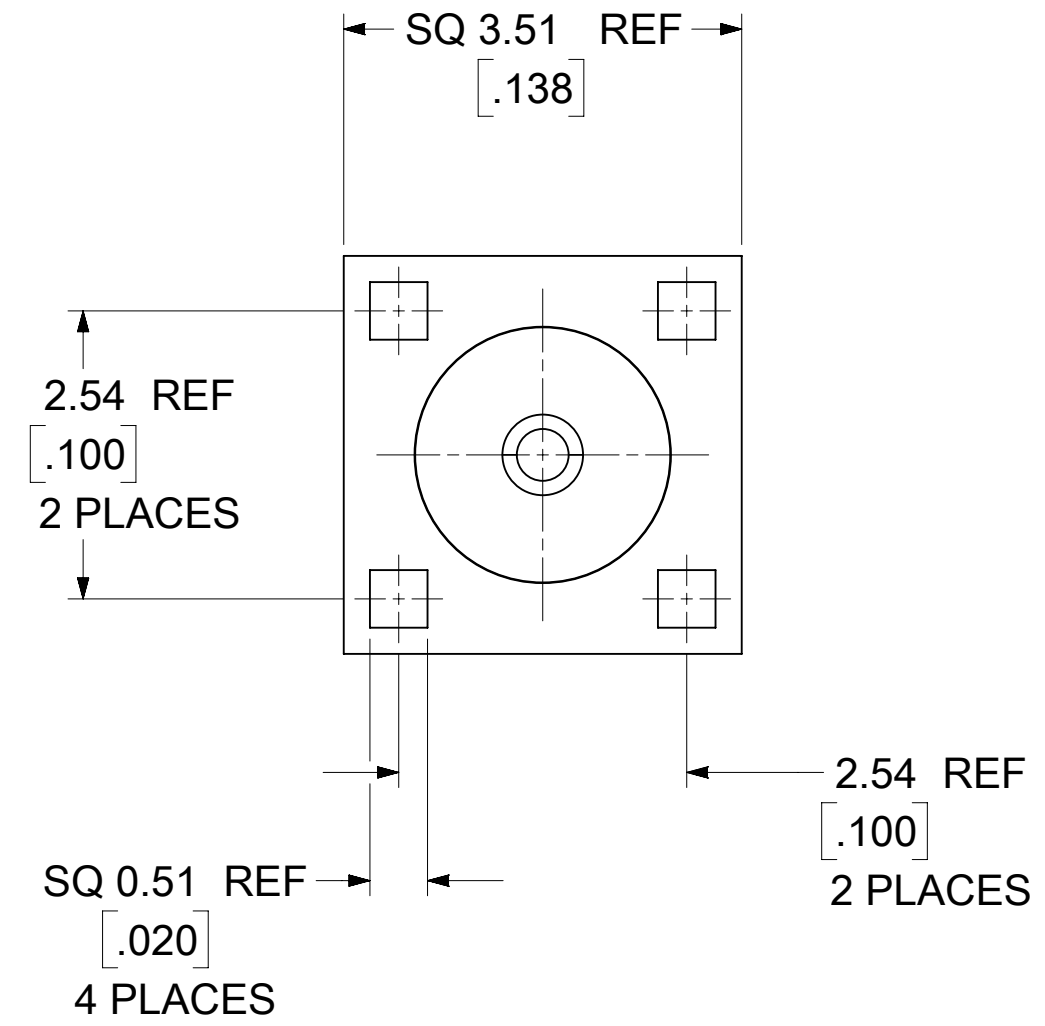
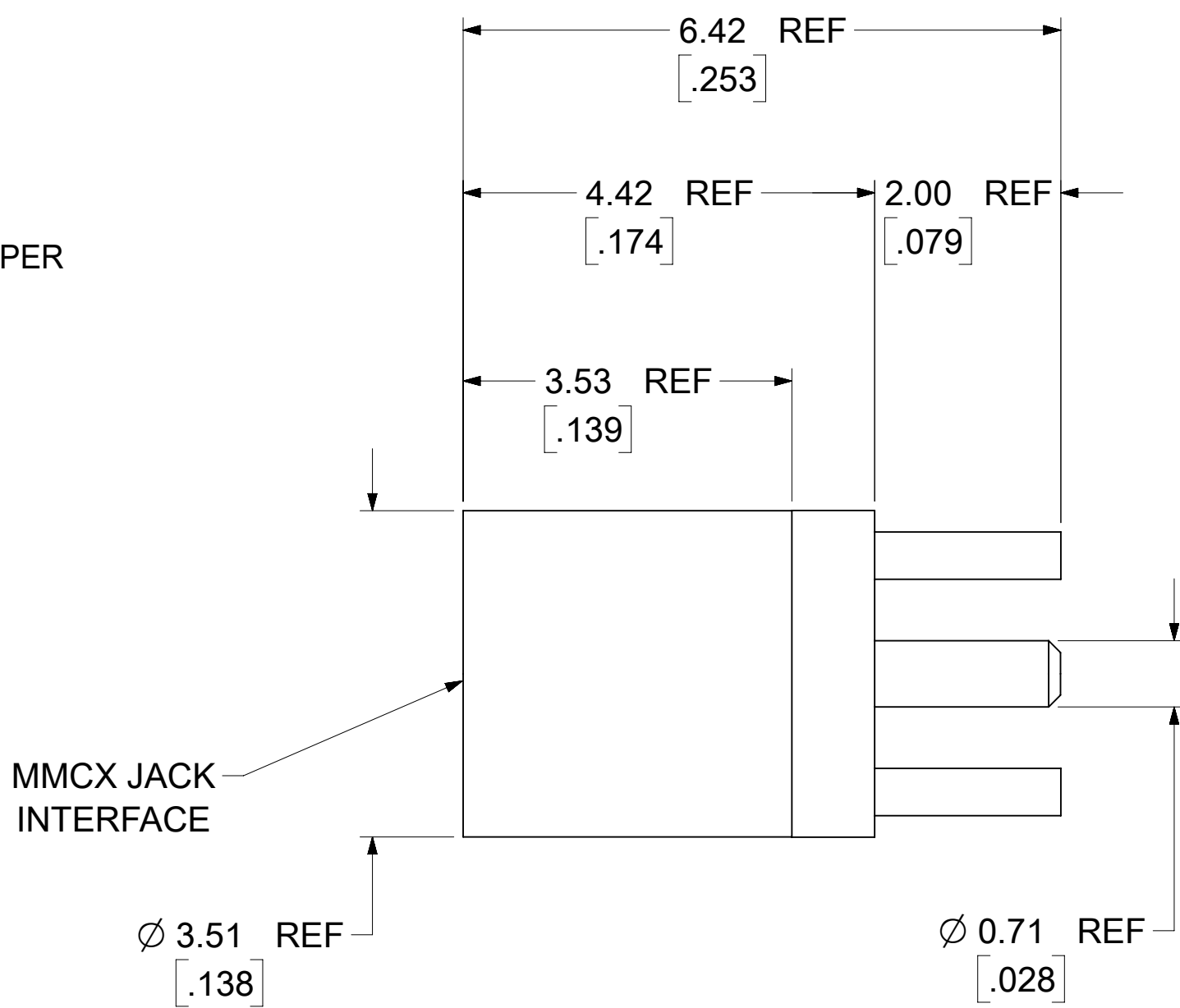
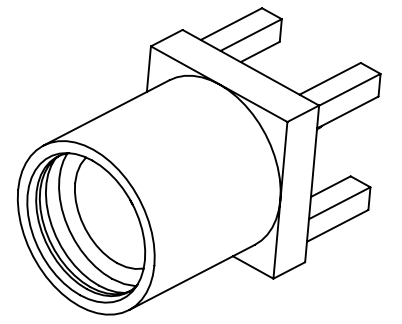


MATERIALS AND FINISHES

BODY BRASS  
PLATED GOLD

CENTER CONTACT BERYLLIUM COPPER  
PLATED GOLD

INSULATOR TEFLON



RECOMMENDED PCB LAYOUT

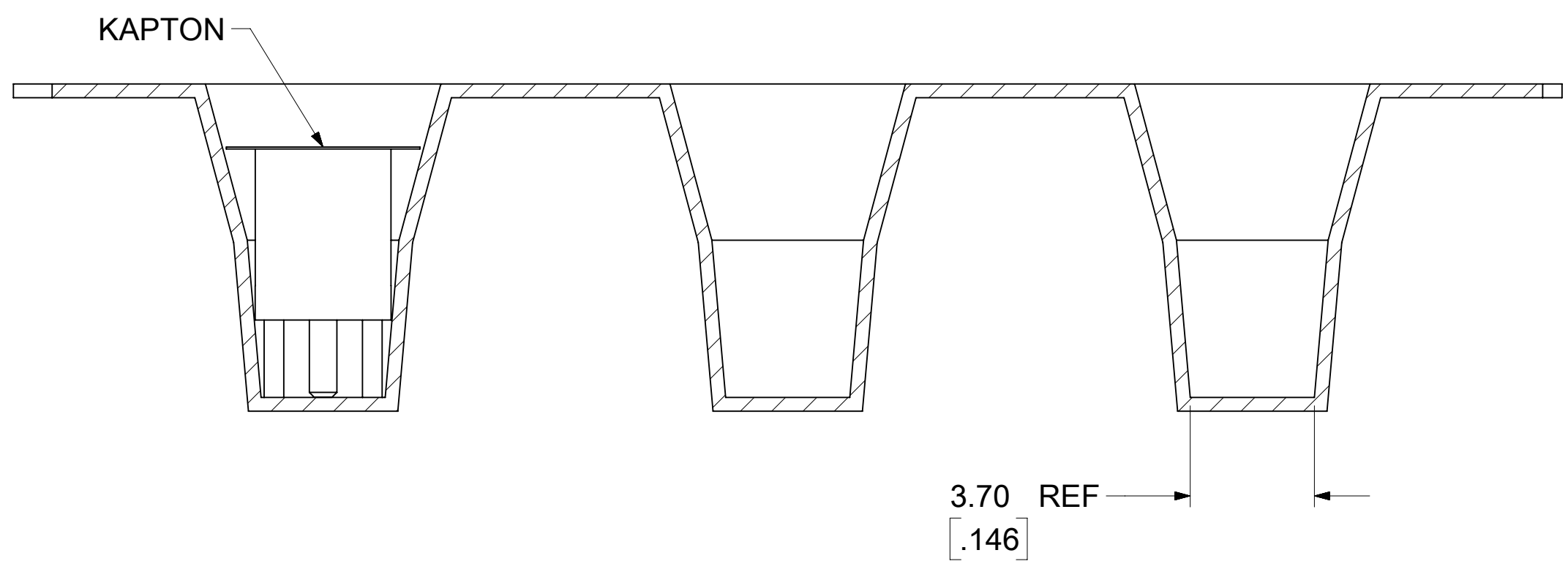
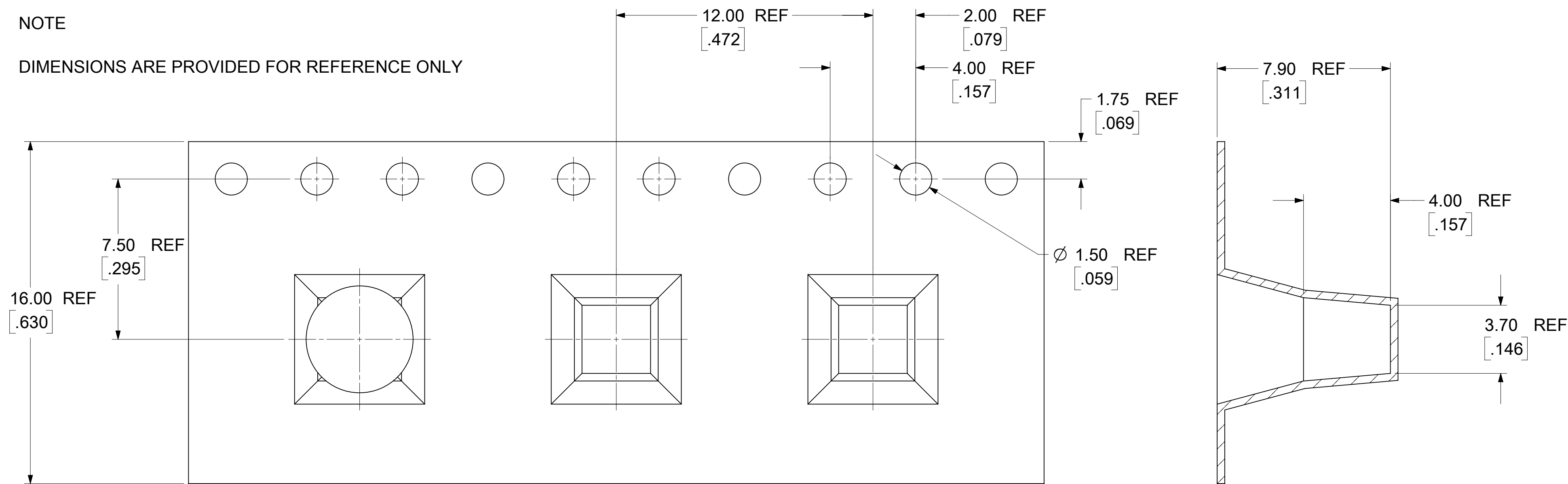
ES-73599-0000-016	INTERFACE
PS-89675-1910	ELECTRO/MECH PER.
SPECIFICATION	DESCRIPTION

73414-0292	PACKAGING BY TAPE AND REEL (WITHOUT KAPTON)
73414-0291	PACKAGING BY TAPE AND REEL (WITH KAPTON)
73414-0290	PACKAGING BY TRAY
<b>PART NO.</b>	<b>DESCRIPTION</b>

FUNCTIONAL SYMBOLS		THIS DRAWING CONTAINS INFORMATION THAT IS PROPRIETARY TO MOLEX ELECTRONIC TECHNOLOGIES, LLC AND SHOULD NOT BE USED WITHOUT WRITTEN PERMISSION		CURRENT REV DESC:		<b>molex</b>		
FA = 0	MM/INCH	SCALE	NTS	EWR-15097-A ADDED -0292 PART NO				
FC = 0	GENERAL TOLERANCES (UNLESS SPECIFIED)		EC NO: 707655		2022/03/28		MMCX JACK VERTICAL, PCB 50 OHMS, PDR0904248 MMCX-J/PCB	
FP = 0	ANGULAR TOL ± 2.0°		DRWN: JSU18		2022/05/30			
DIVISIONAL SYMBOLS		4 PLACES ±		CHK'D: YCHENG		2022/05/30		PRODUCT CUSTOMER DRAWING
		3 PLACES ±		APPR: YCHENG		2022/05/30		
		2 PLACES ±		INITIAL REVISION:		DOCUMENT NUMBER		SD-73414-029
		1 PLACE ±		DRWN: MCHAN05		DOC TYPE		
		0 PLACES ±		APPR: MHUANG		DOC PART		B
		DRAFT WHERE APPLICABLE MUST REMAIN WITHIN DIMENSIONS		THIRD ANGLE PROJECTION		REVISION		
		DRAWING		SERIES		MATERIAL NUMBER		GENERAL MARKET
		C-SIZE		73414		CUSTOMER		
		SHEET NUMBER		1 OF 7				

NOTE

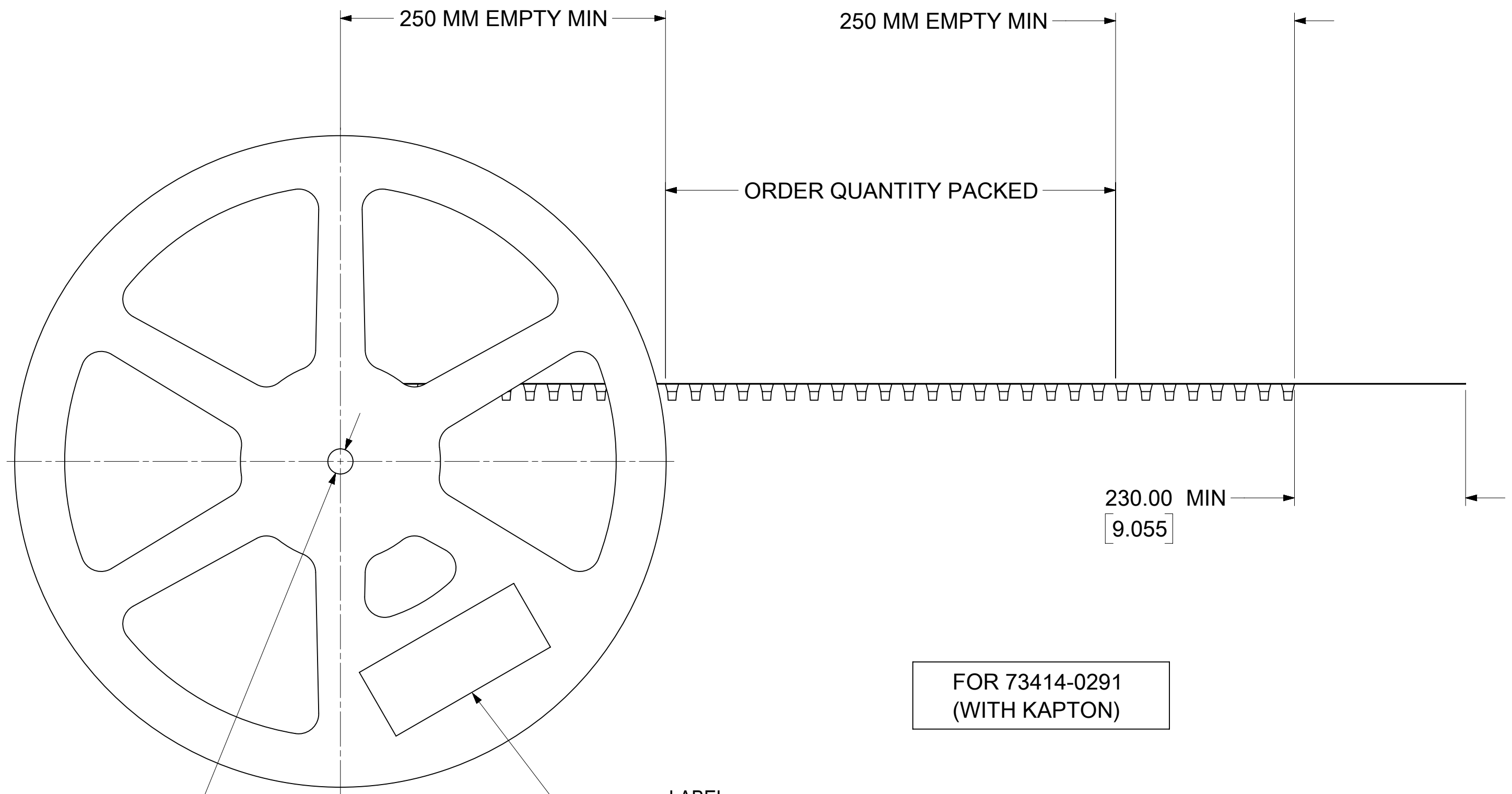
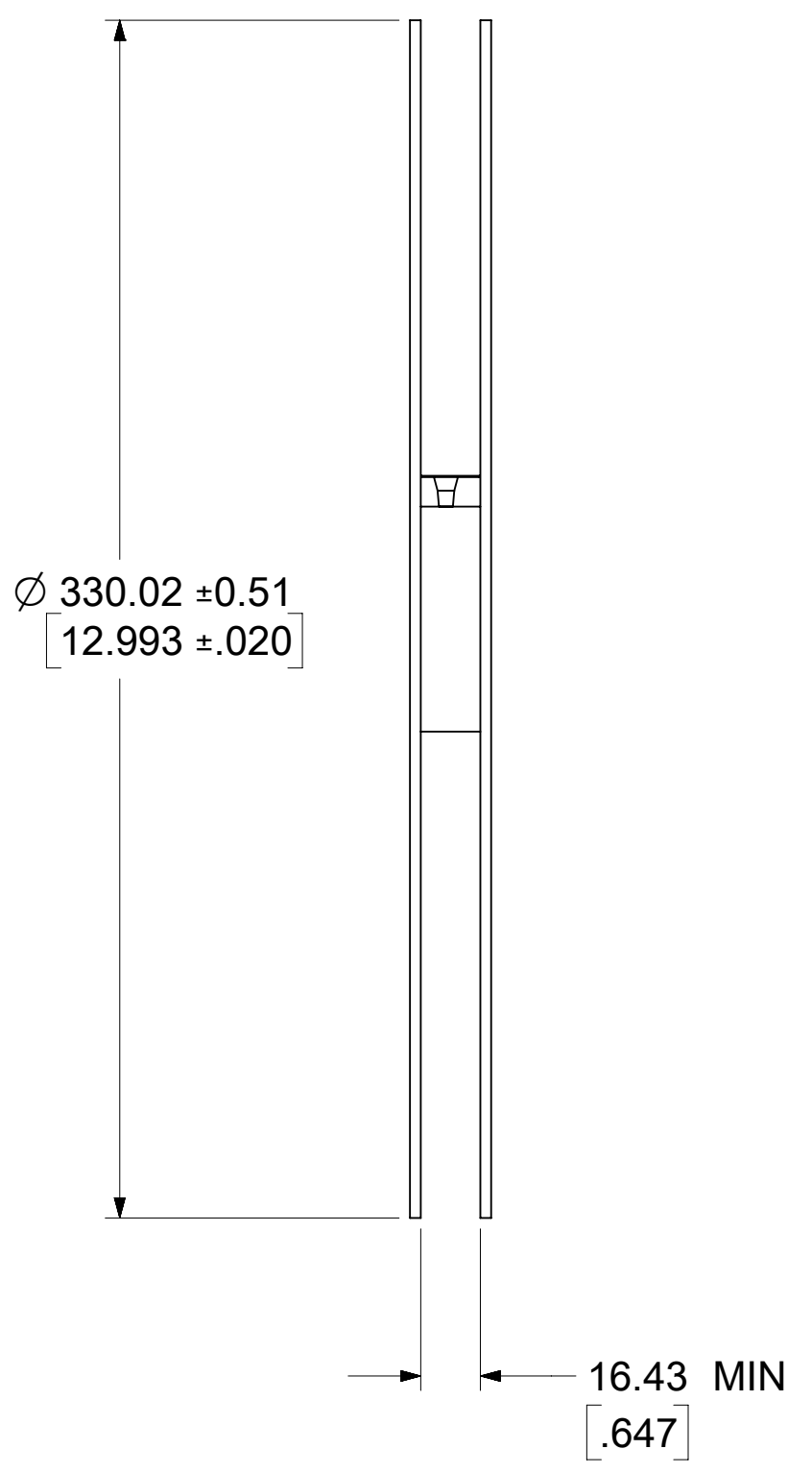
DIMENSIONS ARE PROVIDED FOR REFERENCE ONLY



FOR 73414-0291  
(WITH KAPTON)

FUNCTIONAL SYMBOLS										THIS DRAWING CONTAINS INFORMATION THAT IS PROPRIETARY TO MOLEX ELECTRONIC TECHNOLOGIES, LLC AND SHOULD NOT BE USED WITHOUT WRITTEN PERMISSION											
DIMENSION UNITS		SCALE		CURRENT REV DESC:																	
MM/INCH		NTS		EWR-15097-A ADDED -0292 PART NO																	
GENERAL TOLERANCES (UNLESS SPECIFIED)										EC NO: 707655											
ANGULAR TOL ± 2.0°										DRWN: JSU18 2022/03/28											
4 PLACES ±										CHK'D: YCHENG 2022/05/30											
3 PLACES ±										APPR: YCHENG 2022/05/30											
2 PLACES ±										INITIAL REVISION:											
1 PLACE ±										DRWN: MCHAN05 2009/04/27											
0 PLACES ±										APPR: MHUANG 2009/04/28											
DRAFT WHERE APPLICABLE MUST REMAIN WITHIN DIMENSIONS					THIRD ANGLE PROJECTION					DRAWING		SERIES		DOCUMENT NUMBER		DOC TYPE		DOC PART		REVISION	
										C-SIZE		73414		SD-73414-029		PSD		003		B	
										GENERAL MARKET				MATERIAL NUMBER		CUSTOMER		SHEET NUMBER			
																GENERAL MARKET		2 OF 7			

13" REEL SIZE

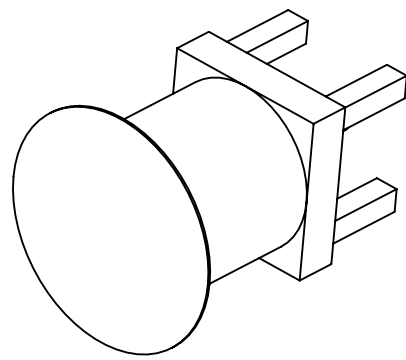


FOR 73414-0291  
(WITH KAPTON)

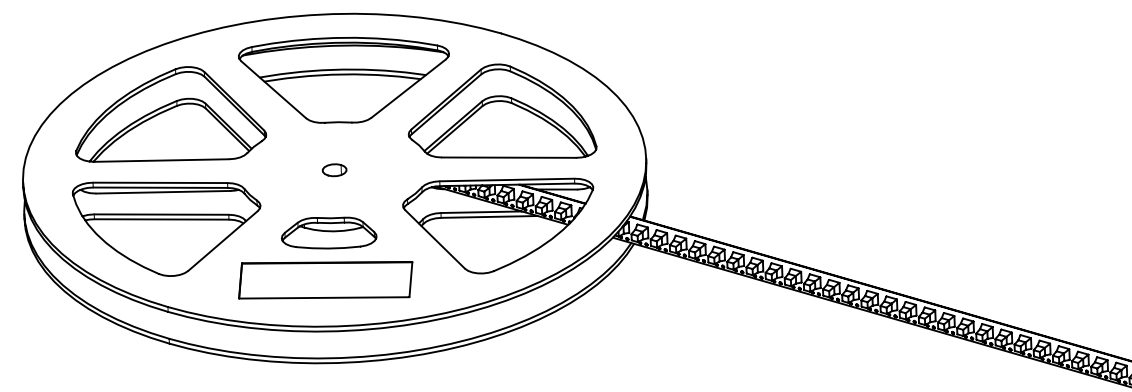
LABEL  
-- ORDER NO  
-- QUANTITY  
-- PRT NO  
-- LOT NO

FUNCTIONAL SYMBOLS										THIS DRAWING CONTAINS INFORMATION THAT IS PROPRIETARY TO MOLEX ELECTRONIC TECHNOLOGIES, LLC AND SHOULD NOT BE USED WITHOUT WRITTEN PERMISSION									
DIMENSION UNITS					SCALE					CURRENT REV DESC:					molex				
MM/INCH					NTS					EWR-15097-A ADDED -0292 PART NO					MMCX JACK VERTICAL, PCB 50 OHMS, PDR0904248 MMCX-J/PCB				
GENERAL TOLERANCES (UNLESS SPECIFIED)										EC NO: 707655									
ANGULAR TOL ± 2.0°										DRWN: JSU18					2022/03/28				
4 PLACES ±					3 PLACES ±					CHK'D: YCHENG					2022/05/30				
2 PLACES ±					1 PLACE ±					APPR: YCHENG					2022/05/30				
0 PLACES ±					INITIAL REVISION:					DRWN: MCHAN05					2009/04/27				
DRAFT WHERE APPLICABLE MUST REMAIN WITHIN DIMENSIONS					THIRD ANGLE PROJECTION					DRAWING					SERIES				
C-SIZE					73414					MATERIAL NUMBER					CUSTOMER				
SD-73414-029					PSD					003					B				
GENERAL MARKET					SHEET NUMBER					3 OF 7									

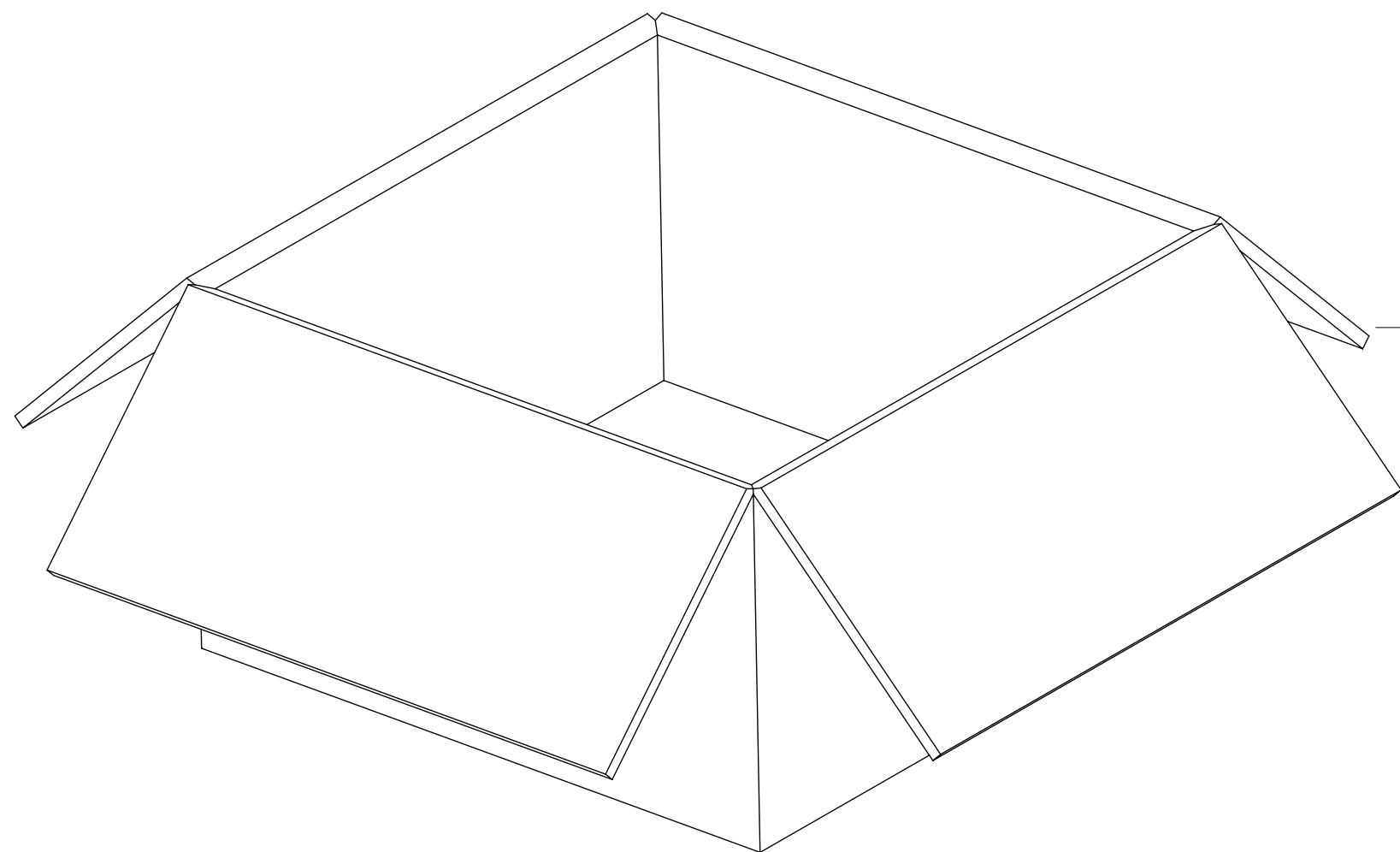
DOCUMENT STATUS	P1	RELEASE DATE	2022/05/30	11:57:06
-----------------	----	--------------	------------	----------



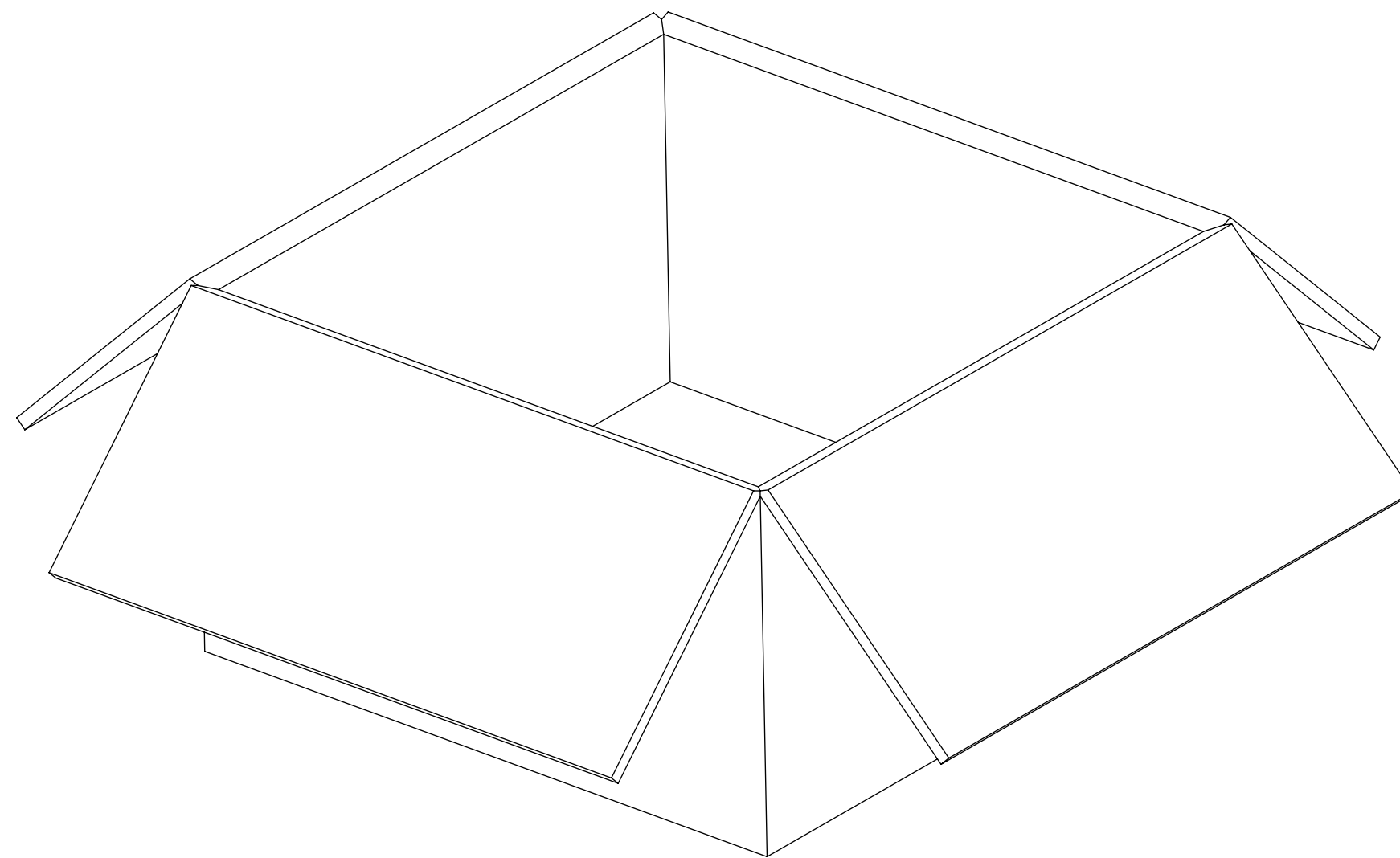
PART NO: 73414-0291



700 SETS PER TAPE & REEL  
P/N: 89707-0254



4900 SET PER INNER CARTON BOX  
P/N: 89499-9028



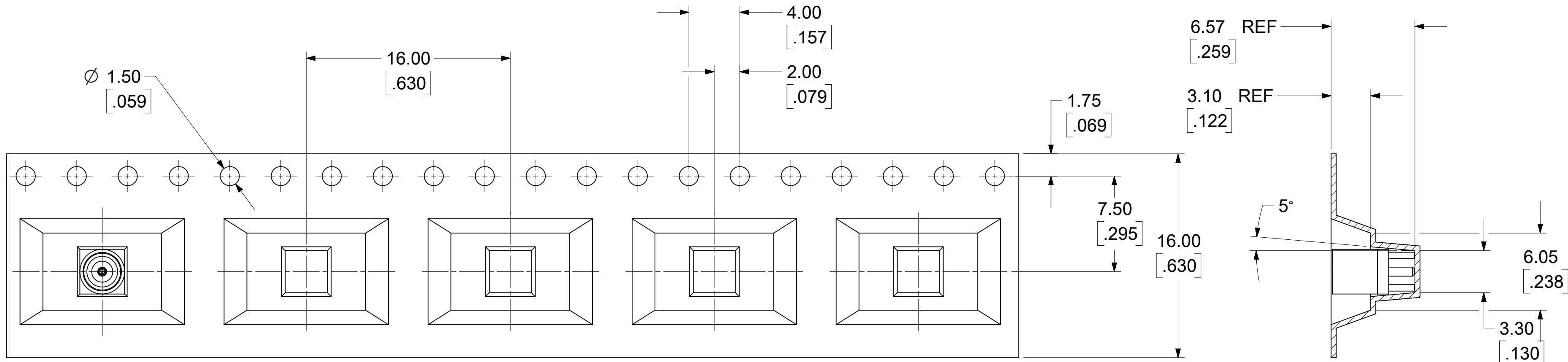
4900 SET PER OUTER CARTON BOX  
P/N: 96708-0005

FUNCTIONAL SYMBOLS	THIS DRAWING CONTAINS INFORMATION THAT IS PROPRIETARY TO MOLEX ELECTRONIC TECHNOLOGIES, LLC AND SHOULD NOT BE USED WITHOUT WRITTEN PERMISSION												
	DIMENSION UNITS	SCALE	CURRENT REV DESC:							<b>molex</b>			
$\frac{F}{A} = 0$	MM/INCH	NTS	EC NO: 707655									MMCX JACK VERTICAL, PCB	
$\frac{F}{C} = 0$	GENERAL TOLERANCES (UNLESS SPECIFIED)		DRWN: JSU18							50 OHMS, PDR0904248 MMCX-J/PCB			
$\frac{F}{P} = 0$	ANGULAR TOL $\pm 2.0^\circ$		4 PLACES $\pm$				2022/03/28			PRODUCT CUSTOMER DRAWING			
DIVISIONAL SYMBOLS	3 PLACES $\pm$		2022/05/30				INITIAL REVISION:		DOCUMENT NUMBER		DOC TYPE	DOC PART	REVISION
	2 PLACES $\pm$		2022/05/30				DRWN: MCHAN05		SD-73414-029		PSD	003	B
	1 PLACE $\pm$		2009/04/27				APPR: MHUANG		MATERIAL NUMBER		CUSTOMER		SHEET NUMBER
	0 PLACES $\pm$		2009/04/28				DRAFT WHERE APPLICABLE MUST REMAIN WITHIN DIMENSIONS		C-SIZE		GENERAL MARKET		4 OF 7

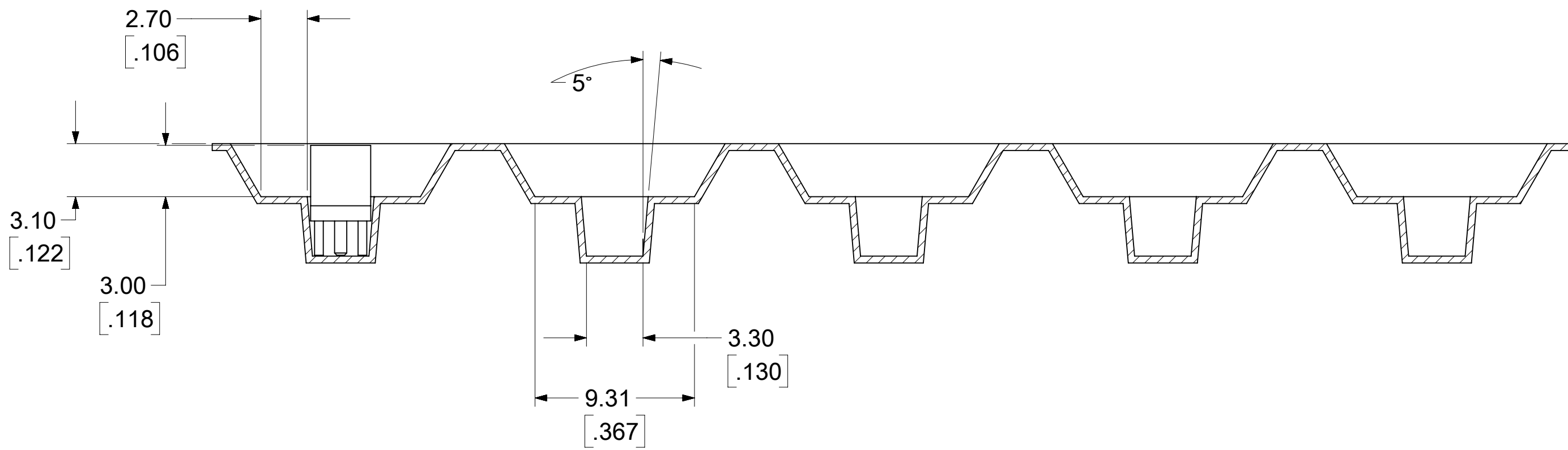
DOCUMENT STATUS	P1	RELEASE DATE	2022/05/30	11:57:06
-----------------	----	--------------	------------	----------

NOTE

DIMENSIONS ARE PROVIDED FOR REFERENCE ONLY

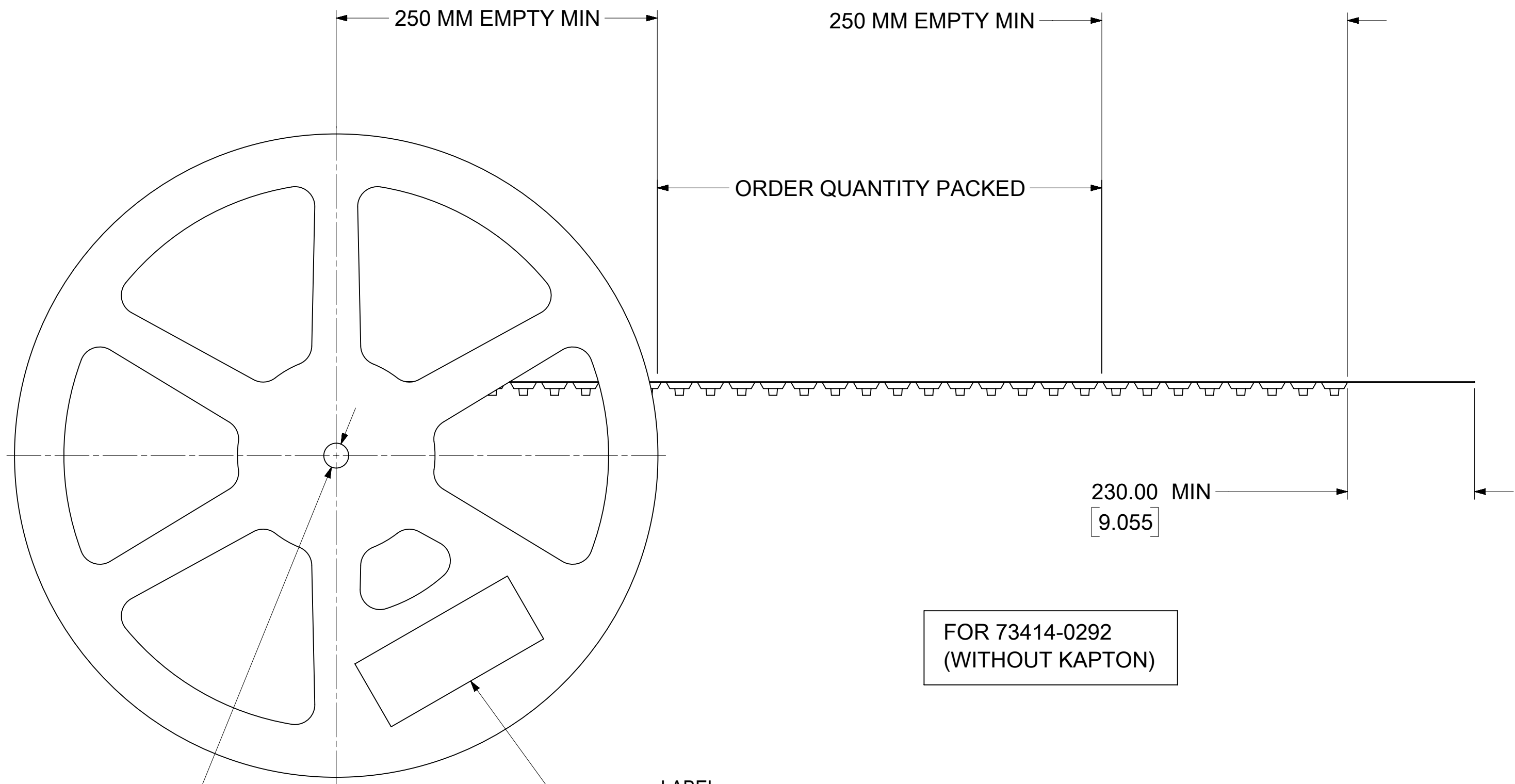
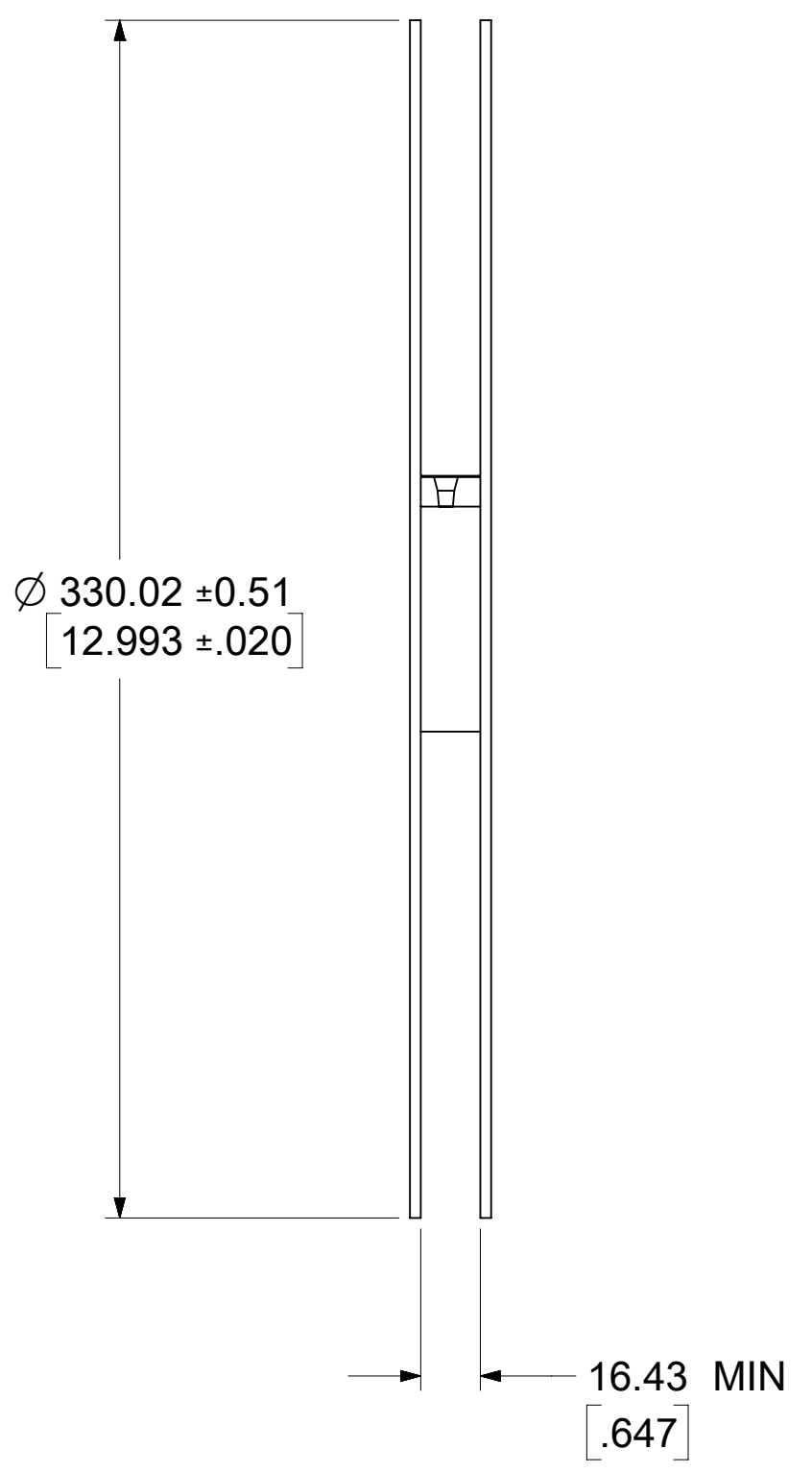


FOR 73414-0292  
(WITHOUT KAPTON)



FUNCTIONAL SYMBOLS		THIS DRAWING CONTAINS INFORMATION THAT IS PROPRIETARY TO MOLEX ELECTRONIC TECHNOLOGIES, LLC AND SHOULD NOT BE USED WITHOUT WRITTEN PERMISSION		CURRENT REV DESC:		<b>molex</b>	
FA = 0	MM/INCH	SCALE	NTS	EC NO: 707655			
FC = 0	GENERAL TOLERANCES (UNLESS SPECIFIED)		DRWN: JSU18		2022/03/28	MMCX JACK VERTICAL, PCB	
FD = 0	ANGULAR TOL ± 2.0°		CHK'D: YCHENG		2022/05/30	50 OHMS, PDR0904248 MMCX-J/PCB	
DIVISIONAL SYMBOLS		4 PLACES ±		APPR: YCHENG		PRODUCT CUSTOMER DRAWING	
		3 PLACES ±		INITIAL REVISION:		DOCUMENT NUMBER	
		2 PLACES ±		DRWN: MCHAN05		SD-73414-029	
		1 PLACE ±		APPR: MHUANG		PSD 003 B	
		0 PLACES ±		2009/04/27		DOC TYPE DOC PART REVISION	
DRAFT WHERE APPLICABLE MUST REMAIN WITHIN DIMENSIONS		THIRD ANGLE PROJECTION		DRAWING		MATERIAL NUMBER	
		C-SIZE		SERIES		CUSTOMER	
		73414		GENERAL MARKET		SHEET NUMBER	
		5 OF 7					

13" REEL SIZE



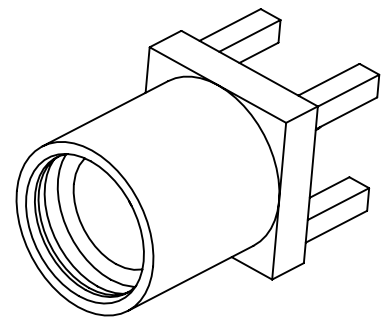
FOR 73414-0292  
(WITHOUT KAPTON)

LABEL  
-- ORDER NO  
-- QUANTITY  
-- PRT NO  
-- LOT NO

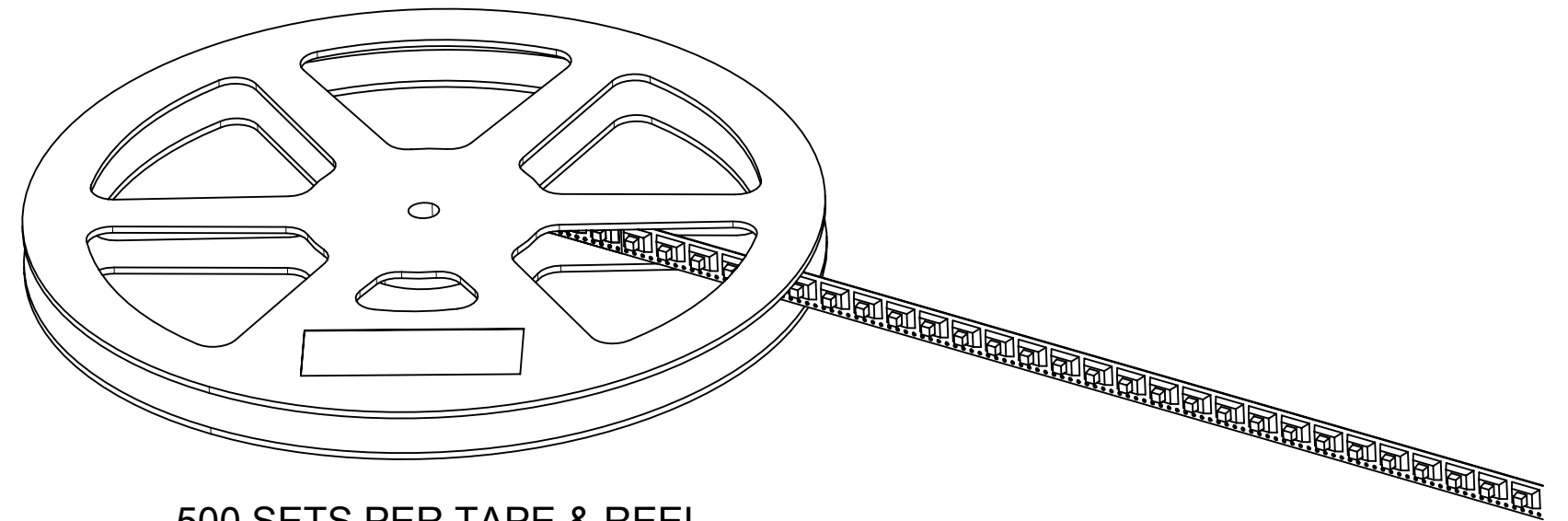
Ø 12.75 REF  
[.502]

FUNCTIONAL SYMBOLS										THIS DRAWING CONTAINS INFORMATION THAT IS PROPRIETARY TO MOLEX ELECTRONIC TECHNOLOGIES, LLC AND SHOULD NOT BE USED WITHOUT WRITTEN PERMISSION									
DIMENSION UNITS					SCALE					CURRENT REV DESC:									
MM/INCH					NTS														
GENERAL TOLERANCES (UNLESS SPECIFIED)										EC NO: 707655									
ANGULAR TOL ± 2.0°										DRWN: JSU18					2022/03/28				
4 PLACES ±										CHK'D: YCHENG					2022/05/30				
3 PLACES ±										APPR: YCHENG					2022/05/30				
2 PLACES ±										INITIAL REVISION:					DOCUMENT NUMBER				
1 PLACE ±										DRWN: MCHAN05					2009/04/27				
0 PLACES ±										APPR: MHUANG					2009/04/28				
DRAFT WHERE APPLICABLE MUST REMAIN WITHIN DIMENSIONS					THIRD ANGLE PROJECTION					DRAWING					SERIES				
										C-SIZE					73414				
MATERIAL NUMBER					CUSTOMER					SHEET NUMBER					DOC TYPE   DOC PART   REVISION				
SD-73414-029					GENERAL MARKET					6 OF 7					PSD   003   B				

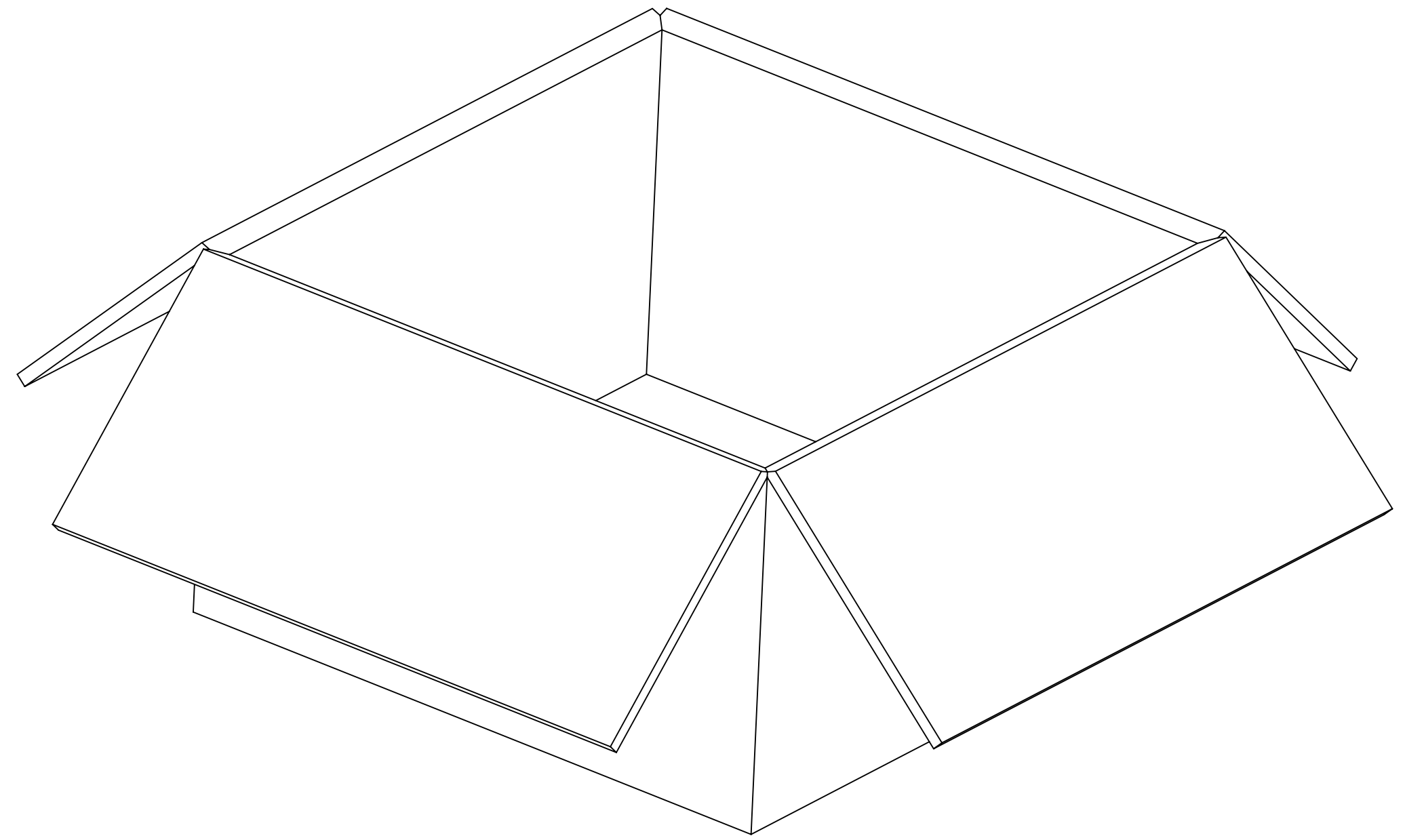
DOCUMENT STATUS	P1	RELEASE DATE	2022/05/30	11:57:06
-----------------	----	--------------	------------	----------



PART NO: 73414-0292



500 SETS PER TAPE & REEL  
P/N: 89707-0660



3500 SETS PER OUTER CARTON BOX  
P/N: 89499-9031

FUNCTIONAL SYMBOLS	THIS DRAWING CONTAINS INFORMATION THAT IS PROPRIETARY TO MOLEX ELECTRONIC TECHNOLOGIES, LLC AND SHOULD NOT BE USED WITHOUT WRITTEN PERMISSION										
	DIMENSION UNITS	SCALE	CURRENT REV DESC:							<b>molex</b>	
$\nabla_A = 0$	MM/INCH	NTS	EC NO: 707655 DRWN: JSU18 2022/03/28 CHK'D: YCHENG 2022/05/30 APPR: YCHENG 2022/05/30 INITIAL REVISION: DRWN: MCHAN05 2009/04/27 APPR: MHUANG 2009/04/28								
$\nabla_C = 0$	GENERAL TOLERANCES (UNLESS SPECIFIED)									PRODUCT CUSTOMER DRAWING	
$\nabla_P = 0$	ANGULAR TOL $\pm 2.0^\circ$									DOCUMENT NUMBER	
DIVISIONAL SYMBOLS	4 PLACES	$\pm$	SD-73414-029		PSD	003	B				
	3 PLACES	$\pm$	MATERIAL NUMBER		CUSTOMER		SHEET NUMBER				
	2 PLACES	$\pm$	73414		GENERAL MARKET		7 OF 7				
	1 PLACE	$\pm$	DRAFT WHERE APPLICABLE MUST REMAIN WITHIN DIMENSIONS		THIRD ANGLE PROJECTION						
	0 PLACES	$\pm$			DRAWING	SERIES					
			C-SIZE		73414						

DOCUMENT STATUS	P1	RELEASE DATE	2022/05/30	11:57:06
-----------------	----	--------------	------------	----------