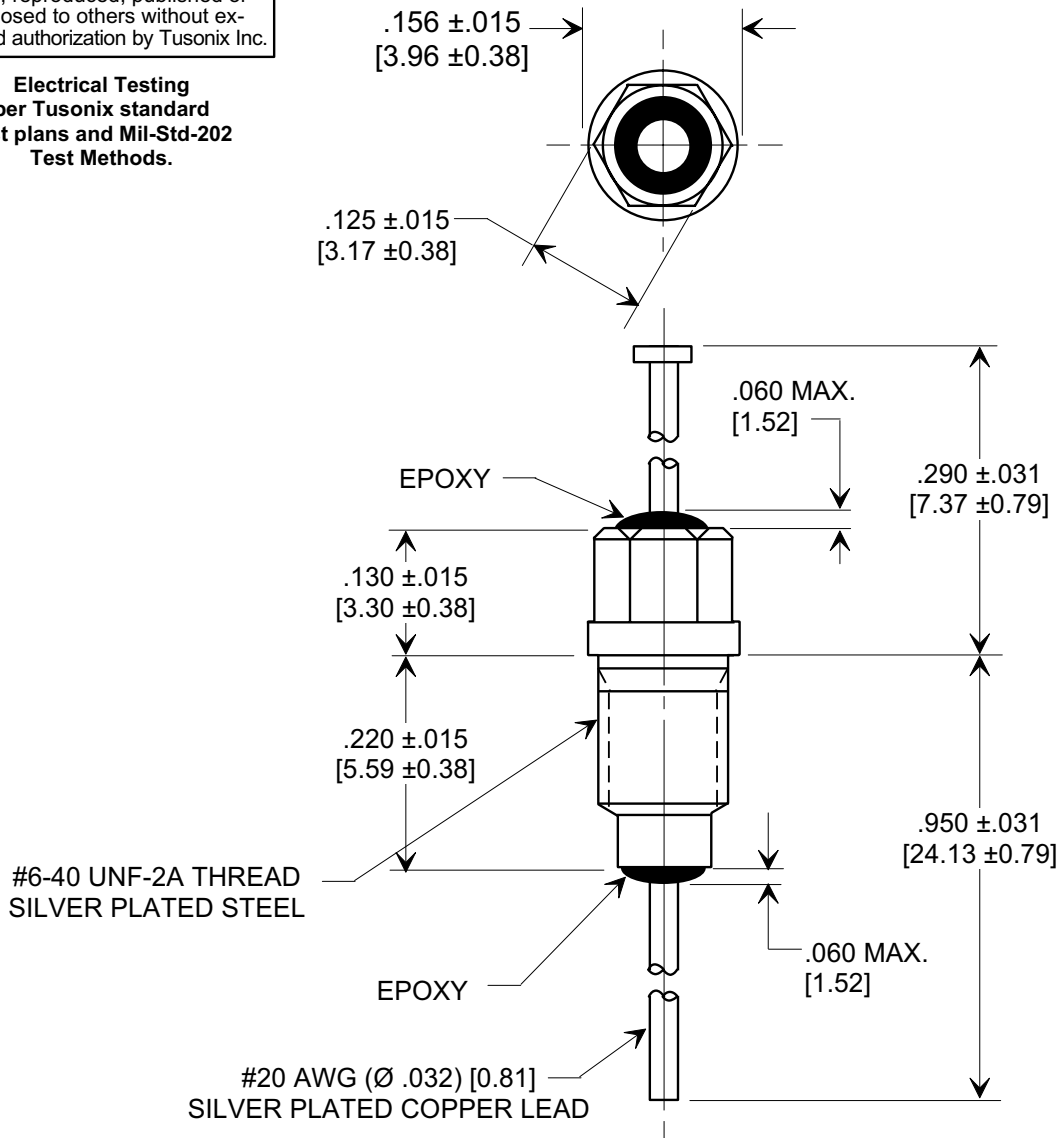
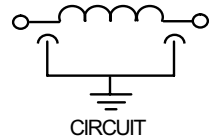
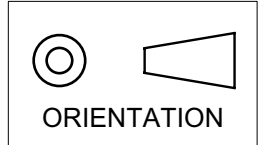


MARKETING SALES DRAWING

DIMENSIONS IN INCHES - DO NOT SCALE THIS DRAWING
DIMENSIONS IN METRIC - []

This drawing is the property of Tusonix, Inc., and may not be used, reproduced, published or disclosed to others without expressed authorization by Tusonix Inc.

Electrical Testing
 per Tusonix standard
 test plans and Mil-Std-202
 Test Methods.



NOTES:

- TUSONIX STANDARD PART NUMBER: 4200-000.
 TUSONIX RoHS COMPLIANT PART NUMBER: 4200-000 LF.
 CUSTOMER MUST SPECIFY STANDARD OR RoHS PART NUMBER WHEN ORDERING.
- LEAD FINISH: SILVER PLATE.
- PART MARKING: TRADEMARK AND VARIATION NUMBER ON HEX FLATS.
 STANDARD PART: BLACK INK. RoHS PART: GREEN INK.
- SUPPLIED WITH SILVER PLATED COPPER ALLOY HEX NUT AND INTERNAL TOOTH LOCK WASHER.

MIN. CAP.	WORKING VOLTAGE		CURRENT V.D.C.	I.R. MIN. @ 100 (VDC.)	DWV (VDC)	MINIMUM NO LOAD INSERTION LOSS (dB) AT 25°C PER MIL-STD-220			
	85°C	125°C				10 MHz	100 MHz	1 GHz	10 GHz
1500 pF	300 VDC	200 VDC	10A	10 G Ω	900	5	40	60	60

X-2015 Rev-0 REVISION RECORD Original Release C.O. 20010411-1-01 ADDED & REVISED NOTES. ADDED DWV & I.R. SM 11-10-05 20051027-1-02 REVISED BUSHING TO NEW SIMPLIFIED DWG. SM 03-08-06 20060303-2-02	--TOLERANCES-- Unless Otherwise Specified		Title	
	DECIMAL ± .031 [0.79]		BUSHING STYLE EMI FILTER Drawn S.M. 04-11-01 Scale 5 X Approved T.C. 04-11-01	
	ANGLES ±			
	TUSONIX TUCSON, ARIZONA		A	4200-000