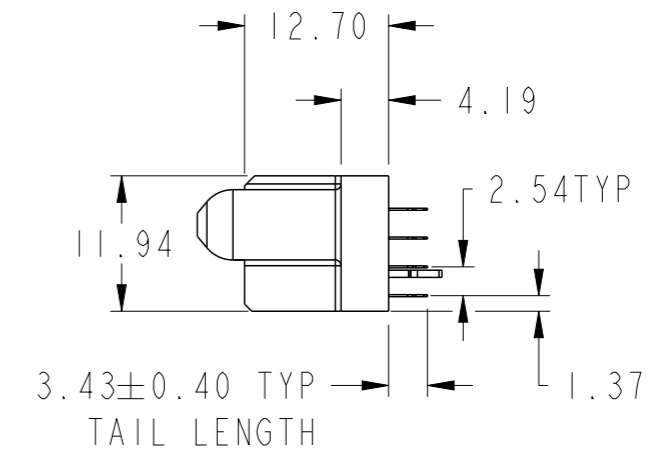
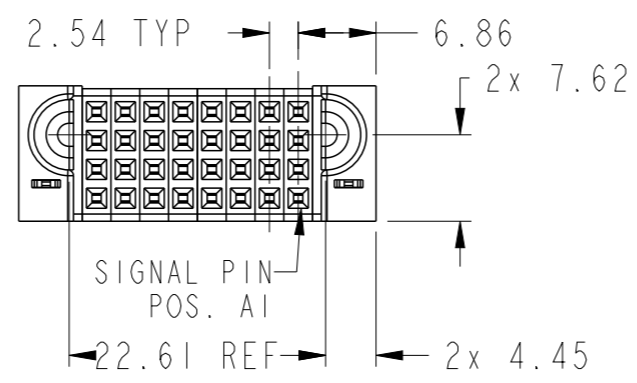
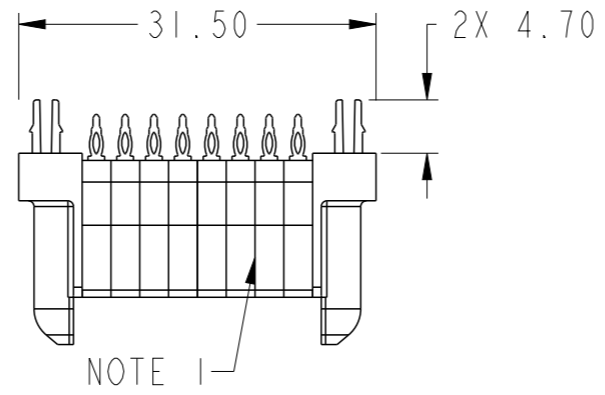
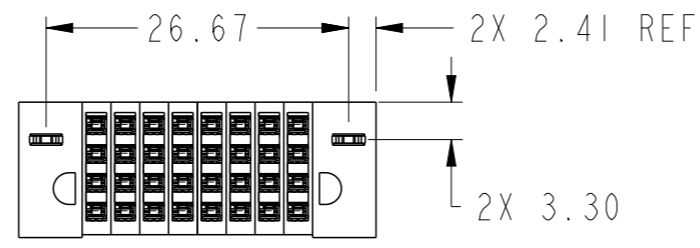


PRODUCT NUMBER SEE SHEET 2

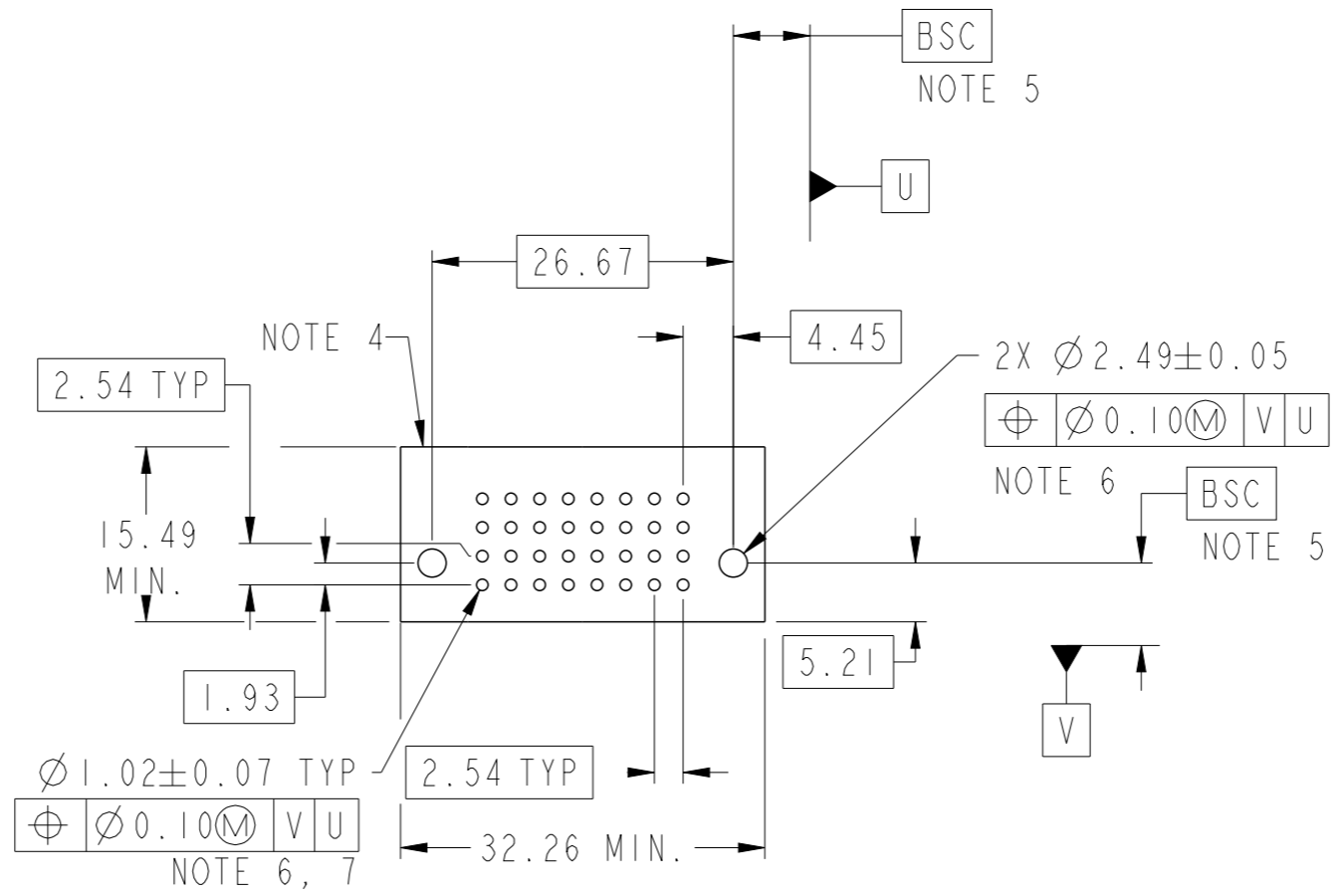


Copyright FCI.

spec ref		dr	Zhen-Hua Liu	2015/10/30	projection	MM	size	A3	scale	3:2	
tolerance std		eng	Rainbow Zhan	2015/11/26			ecn no		-		
ASME Y14.5		chr	Fancy Zhang	2015/11/26			rel level		Released		
TOLERANCES UNLESS OTHERWISE SPECIFIED		appr	Pei-Ming Zheng	2015/11/26	product family		PowerBlade+				
surface		linear	0.X	±0.50		title		32S		dwg no 10106269-0008001	rev A
			0.XX	±0.25		VT PF RECEPTACLE					
			0.XXX	±0.10		cat. no.					
ASME Y14.5		angular	0°	±2°	www.fci.com		Product - Customer Drw		sheet 1 of 3		

PRODUCT NO.	ROWS	SIGNAL										
		E1	8	7	6	5	4	3	2	1	E2	
10106269-0008001LF	DCBA		F	F	F	F	F	F	F	F	F	
			F	F	F	F	F	F	F	F	F	
			F	F	F	F	F	F	F	F	F	
			F	F	F	F	F	F	F	F	F	

CODE	DESCRIPTION
F	STD SIGNAL CONTACT
HA	METAL HOLD DOWN



Copyright FCI.

dr	Zhen-Hua Liu	2015/10/30	projection 	MM 	size	A3	scale	3:2
eng	Rainbow Zhan	2015/11/26			ecn no	-		
chr	Fancy Zhang	2015/11/26			product family	PowerBlade+	rel level	Released
appr	Pei-Ming Zheng	2015/11/26				title 32S VT PF RECEPTACLE	dwg no 10106269-0008001	rev A
www.fci.com			cat. no.	Product - Customer Drw		sheet 2 of 3		

A

B

C

D

A

B

C

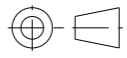
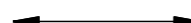

D

NOTES:

- 1) "FCI", PART NUMBER AND DATE CODE TO BE MARKED ON THIS SURFACE.  
THE MARK CAN BE OMITTED IF THERE IS NOT ENOUGH SPACE ON THIS SURFACE.
- 2) MATERIALS:  
-HOUSING - GLASS FILLED WITH HIGH TEMP THERMOPLASTIC, UL94V-0.  
-SIGNAL CONTACT - COPPER ALLOY.  
-POWER CONTACT - HIGH CONDUCTIVITY COPPER ALLOY.
- 3) PLATING SPECIFICATION REFER TO FCI 10116351
- 4) DENOTES CONNECTOR KEEP OUT ZONE.
- 5) DATUM AND BASIC DIMENSIONS WERE ESTABLISHED BY CUSTOMER.
- 6) ALL HOLE DIAMETERS ARE FINISHED HOLE SIZES.
- 7)  $1.15 \pm 0.025$ MM DRILLED HOLE PLATED WITH 0.00762MM MIN Sn  
OVER 0.0254-0.0762MM Cu PLATING TO ACHIEVE A  $1.02 \pm 0.07$ MM HOLE.
- 8) PRODUCT SPECIFICATION REFER TO FCI GS-12-658.  
APPLICATION SPECIFICATION REFER TO FCI GS-20-141.  
PRODUCT PACKAGED IN TRAYS, REFER TO FCI GS-14-1502.
- 9) THE VOID CORING IN BETWEEN POWER MODULES, SIGNAL  
MODULES AND END MODULES ARE OPTIONAL AND THE SHAPE  
MAY BE DIFFERENT FOR OPTIMIZE THE MOLDING PROCESS. THE  
VOID CORING WILL NOT EFFECT TO PRODUCT FUNCTION.



Copyright FCI.

dr	Zhen-Hua Liu	2015/10/30	projection 	MM 	size	A3	scale	1:1
eng	Rainbow Zhan	2015/11/26			ecn no	-		
chr	Fancy Zhang	2015/11/26			product family	PowerBlade+	rel level	Released
appr	Pei-Ming Zheng	2015/11/26						
		title 32S VT PF RECEPTACLE	cat. no.	Product - Customer Drw	sheet 3 of 3	rev A		
www.fci.com		cat. no.	Product - Customer Drw		sheet 3 of 3			