

SAW Filter 869.0MHz
Part No: MP01322

Model: TA0704A
Rev No:1

A. MAXIMUM RATING:

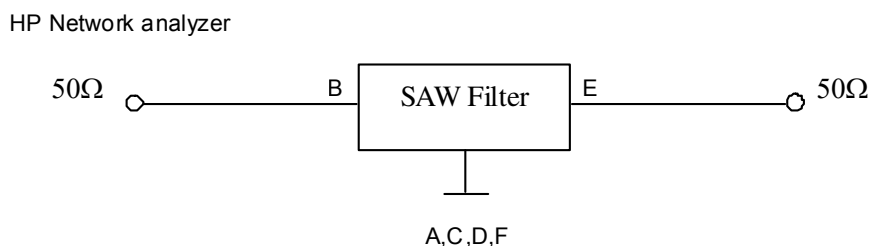
1. Input Power Level: 0dBm
2. DC voltage: 10V
3. Operating Temperature: -10°C to 60°C
4. Storage Temperature: -30°C to +85°C

B. CHARACTERISTICS:

Item	Unit	Min.	Typ.	Max.
Center Frequency Fc	MHz	-	869	-
Insertion Loss IL Fc ± 1MHz	dB	-	2.6	4.5
Ripple Fc ± 1MHz			0.4	1.5
Absolute Attenuation(reference to 0dB)				
825 ~ 828 MHz	dB	40	47	-
846 ~ 849 MHz	dB	35	40	-
889 ~ 892 MHz	dB	30	36	-
910 ~ 913MHz	dB	40	48	-
Source impedance Z _S	Ω	-	50	-
Load impedance Z _L	Ω	-	50	-

Note: No matching network required for operation at 50Ω

C. MEASUREMENT CIRCUIT:

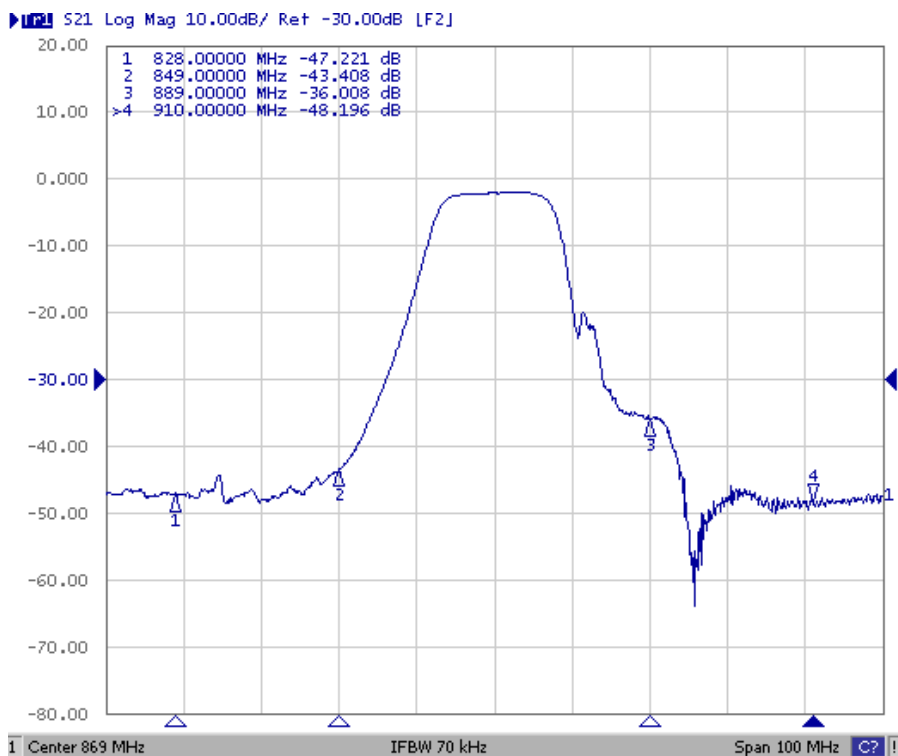
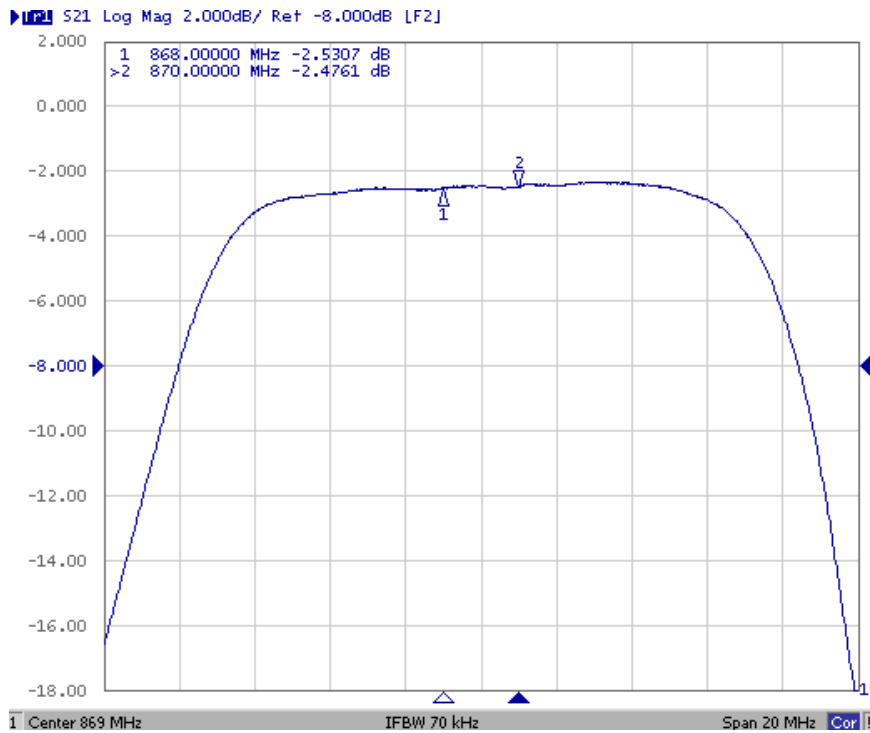


SAW Filter 869.0MHz
Part No: MP01322

Model: TA0704A
Rev No:1

D. FREQUENCY CHARACTERISTICS:

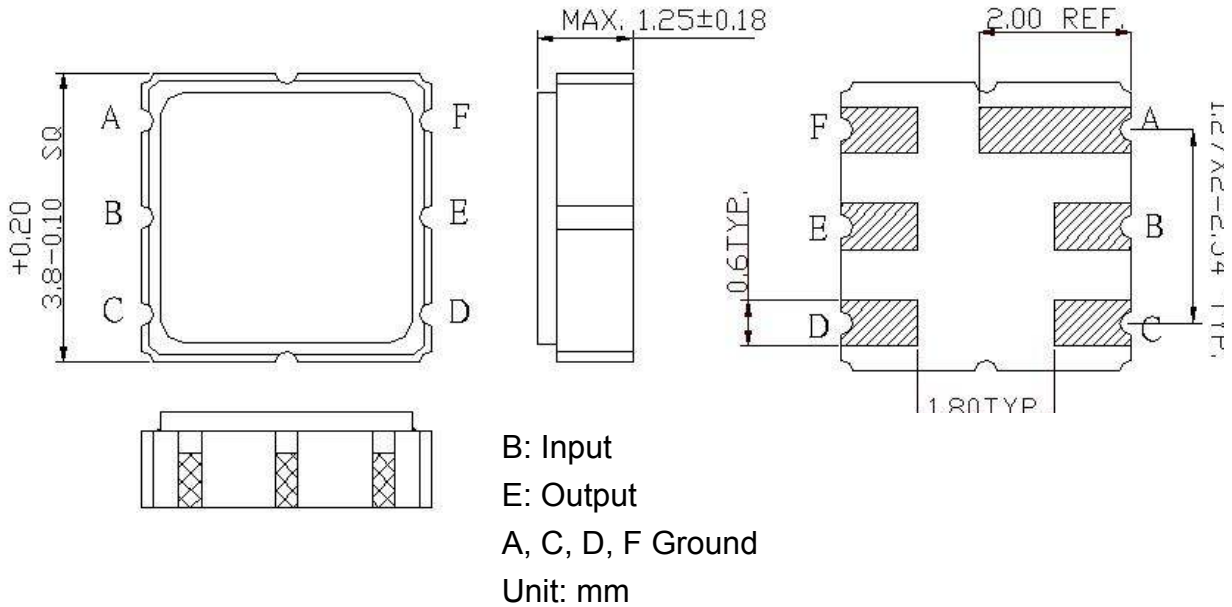
Transfer Function



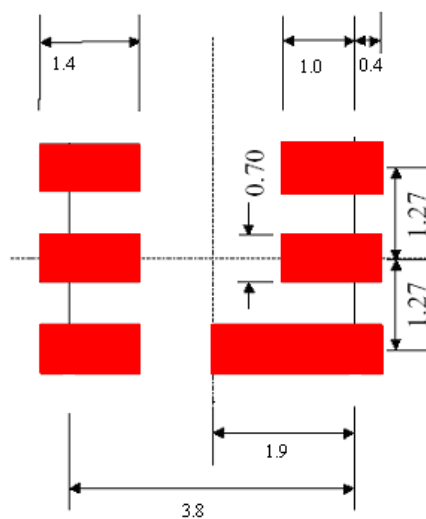
SAW Filter 869.0MHz
Part No: MP01322

Model: TA0704A
Rev No:1

E. OUTLINE DRAWING:



F. PCB FOOTPRINT:

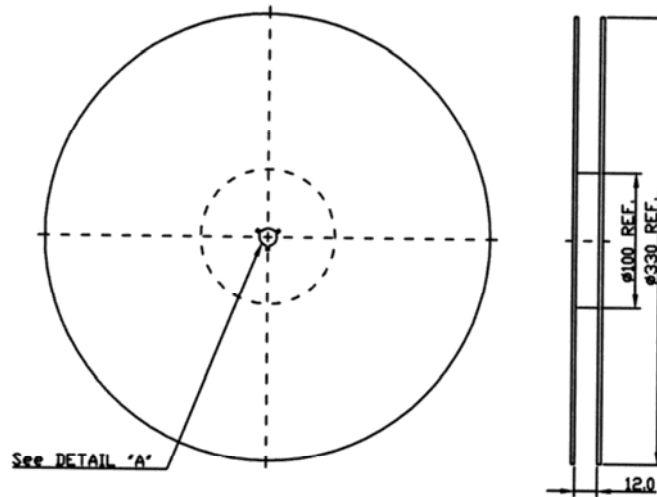


SAW Filter 869.0MHz
Part No: MP01322

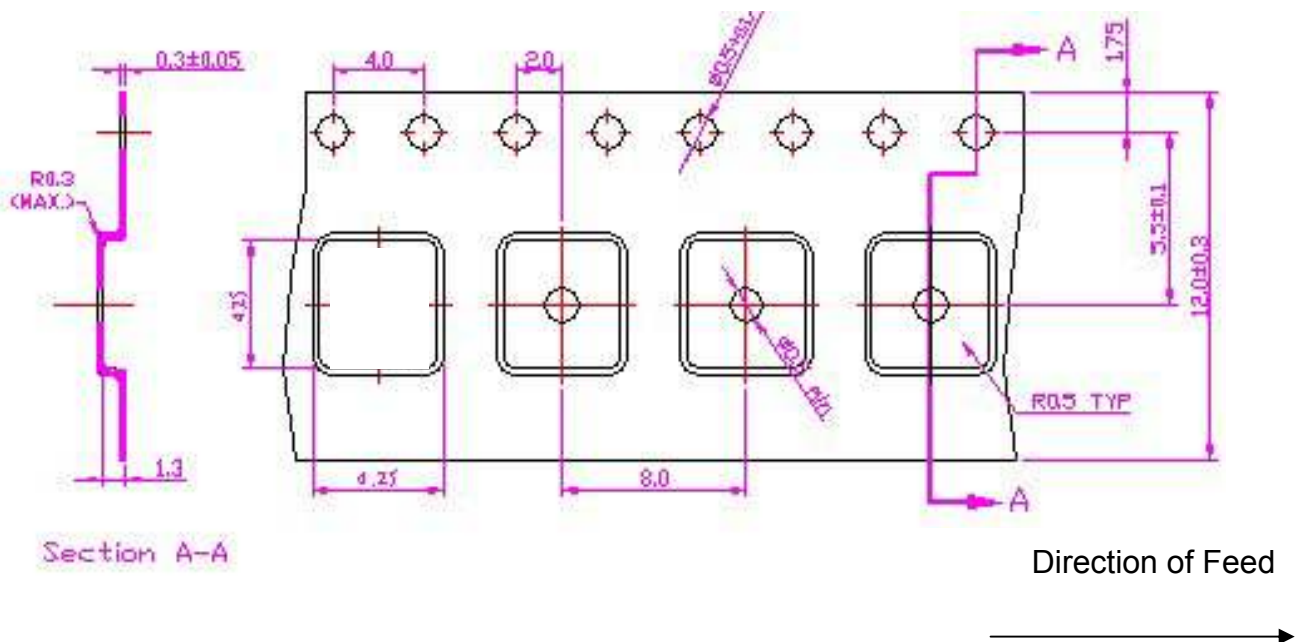
Model: TA0704A
Rev No:1

G. PACKING:

1. Reel Dimension



2. Tape Dimension



SAW Filter 869.0MHz
Part No: MP01322

Model: TA0704A
Rev No:1

H. RECOMMENDED REFLOW PROFILE:

