

**ebm-papst St. Georgen GmbH & Co. KG**

Hermann-Papst-Str. 1  
 D-78112 St. Georgen  
 Phone +49 (0) 7724 81-0  
 Fax +49 (0) 7724 81-1309  
 info2@de.ebmpapst.com  
 www.ebmpapst.com

**Nominal data**

Type	4188 NGX	
Nominal voltage	VDC	48
Nominal voltage range	VDC	36 .. 60
Speed (rpm)	min <sup>-1</sup>	2800
Power consumption	W	3.6
Min. ambient temperature	°C	-20
Max. ambient temperature	°C	75
Air flow	m <sup>3</sup> /h	160
Sound power level	B	5.3
Sound pressure level	dB(A)	44

ml = Max. load · me = Max. efficiency · fa = Free air · cs = Customer specification · ce = Customer equipment  
 Subject to change

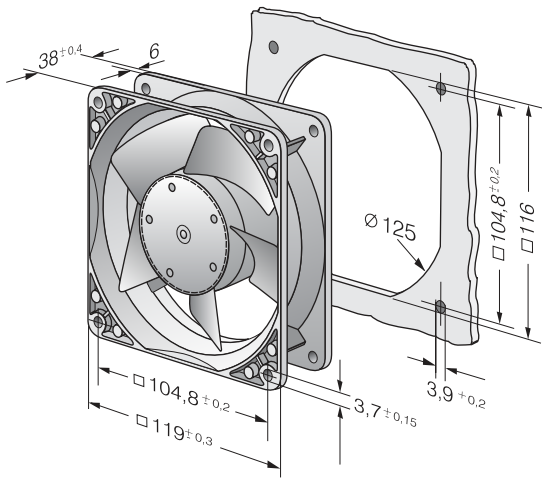


**Technical description**

<b>Impeller material</b>	Glass-fiber reinforced PA plastic
<b>Weight</b>	0.390 kg
<b>Dimensions</b>	119 x 119 x 38 mm
<b>Housing material</b>	Die-cast aluminum
<b>Airflow direction</b>	Intake over struts
<b>Direction of rotation</b>	Clockwise, viewed toward rotor
<b>Storage</b>	Sintec sleeve bearing
<b>Service life L10 at 40 °C</b>	85000 h
<b>Service life L10 at maximum temperature</b>	37500 h
<b>Cable</b>	Flat plug 2.8 x 0.5 mm. Optionally also with wires.
<b>Motor protection</b>	Protection against reverse polarity and blocked rotor.
<b>Approval</b>	VDE, CSA, UL



## Product drawing



## Curves: Air performance

