

Adapter - EM SWD-ADAPTER - 2902776

Please be informed that the data shown in this PDF Document is generated from our Online Catalog. Please find the complete data in the user's documentation. Our General Terms of Use for Downloads are valid (<http://phoenixcontact.com/download>)



SmartWire DT™ adapter for CONTACTRON hybrid motor starters, with "Enable" input for safe shutdown up to PLe/SIL3.



Key Commercial Data

Packing unit	1 pc
Weight per Piece (excluding packing)	120.0 g
Custom tariff number	85366990
Country of origin	Germany

Technical data

Dimensions

Width	22.5 mm
Height	165 mm
Depth	114.5 mm

Ambient conditions

Ambient temperature (operation)	-25 °C ... 55 °C
Ambient temperature (storage/transport)	-40 °C ... 80 °C

Input data

Input name	Enable input
Rated actuating voltage U_c	24 V DC
Switching level "High"	> 19.2 V DC
Switching level "Low"	< 9.6 V DC
Switching level	dependent on the switching device
Rated actuating current I_c	5 mA
Status display	Green LED (SmartWire bus), green LED (enable OK)

Adapter - EM SWD-ADAPTER - 2902776

Technical data

Data interface

Designation	SmartWire™-DT
Data rate	125 kBd / 250 kBd
Connection method	Pin strip, 8-pos.
Current consumption I _{AUX}	120 mA
Current consumption I _{POW}	25 mA

Connection data

Connection name	Enable input
Connection method	Push-in connection
Stripping length	10 mm
Conductor cross section solid	0.14 mm ² ... 1 mm ²
Conductor cross section flexible	0.14 mm ² ... 1 mm ²
Conductor cross section AWG	26 ... 18
Number of connections	1
Number of positions	4

Connection data bus connection

Connection name	SmartWire™-DT
Connection method	Pin strip
Number of connections	1
Number of positions	8
Note	For SmartWire-DT device plug SWD4-8SF2-5 PXC

General

Degree of pollution	2
Overvoltage category	III
Operating mode	100% operating factor
Degree of protection	IP20
Color	green
Mounting position	any
Assembly instructions	On CONTACTRON hybrid motor starter

Standards and Regulations

Standards/regulations	IEC 60947-1
	EN 60947-1
Degree of pollution	2
Overvoltage category	III

Adapter - EM SWD-ADAPTER - 2902776

Classifications

eCl@ss

eCl@ss 4.0	27142001
eCl@ss 4.1	27142001
eCl@ss 5.0	27142001
eCl@ss 5.1	27141140
eCl@ss 6.0	27141140
eCl@ss 7.0	27141140
eCl@ss 8.0	27379201
eCl@ss 9.0	27379201

ETIM

ETIM 3.0	EC000035
ETIM 4.0	EC000489
ETIM 5.0	EC002498

UNSPSC

UNSPSC 6.01	30211915
UNSPSC 7.0901	39121514
UNSPSC 11	39121514
UNSPSC 12.01	39121514
UNSPSC 13.2	39121514

Approvals

Approvals

Approvals

UL Listed / cUL Listed / cULus Listed

Ex Approvals

Approvals submitted

Approval details

Adapter - EM SWD-ADAPTER - 2902776

Approvals

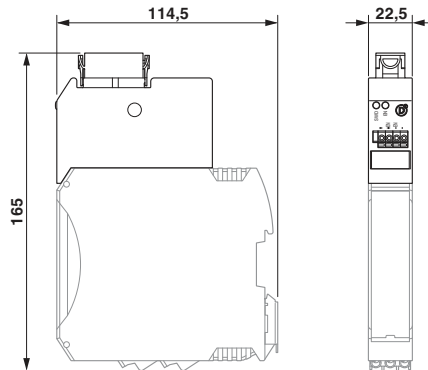
UL Listed 

cUL Listed 

cULus Listed 

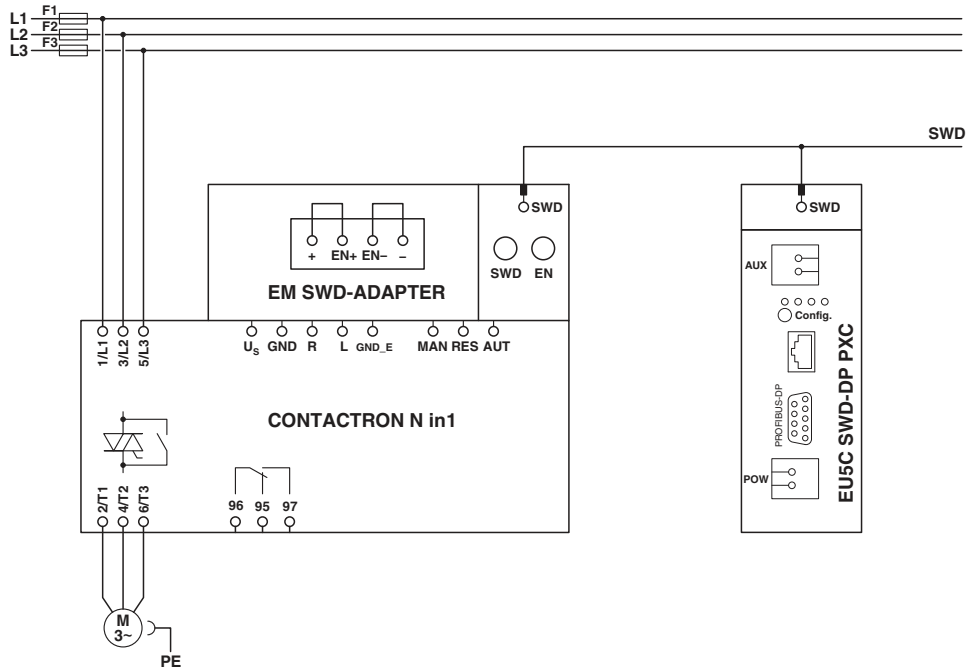
Drawings

Dimensional drawing



Adapter - EM SWD-ADAPTER - 2902776

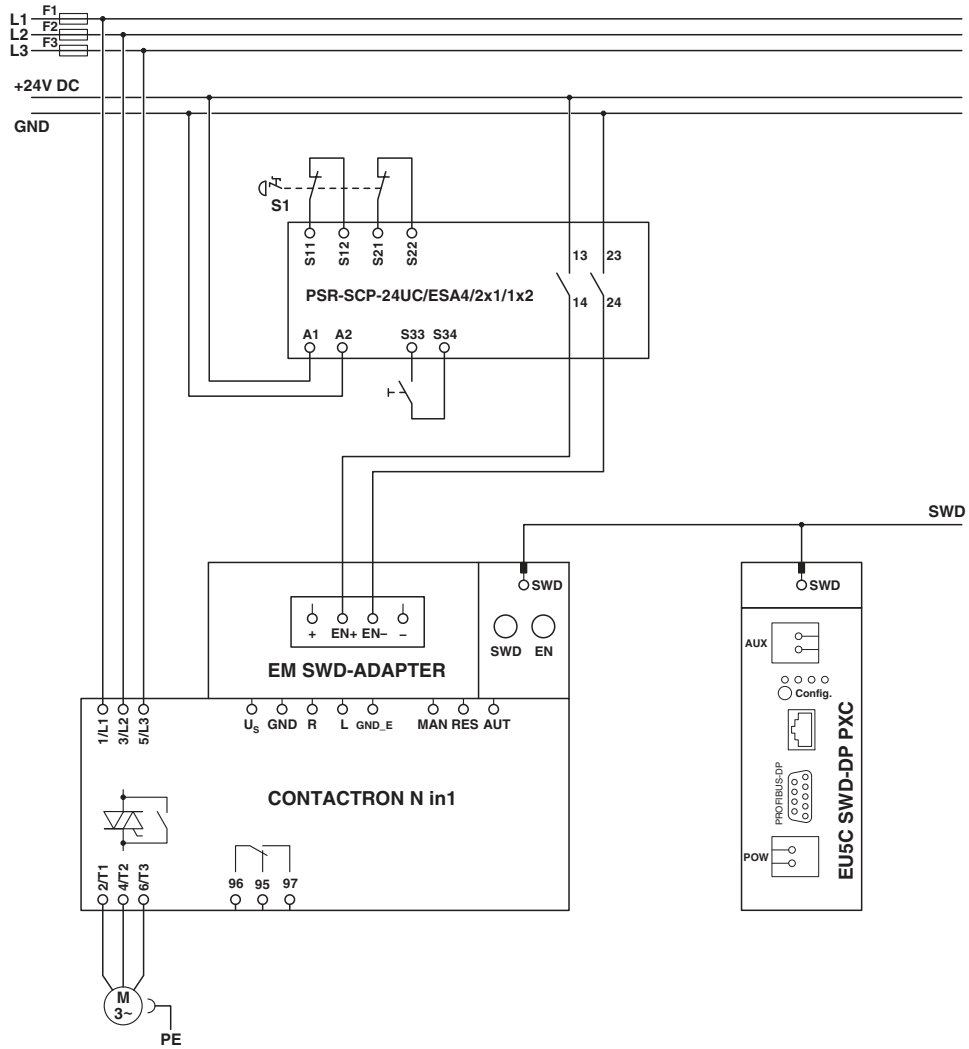
Circuit diagram



Wiring example without EMERGENCY STOP

Adapter - EM SWD-ADAPTER - 2902776

Circuit diagram



EMERGENCY STOP wiring example (two-channel)