

MICRO SWITCH
 FREEPORT ILLINOIS U.S.A.
 A DIVISION OF HONEYWELL
 FED MFG CODE 91929

**SWITCH - TOGGLE
 ABOVE PANEL MOUNT**

CATALOG LISTING
2TP16 SERIES
 CHART 1

THIS DRAWING COVERS A PROPRIETARY ITEM AND IS THE PROPERTY OF MICRO SWITCH, A DIVISION OF HONEYWELL. THIS DRAWING IS NOT TO BE COPIED OR USED WITHOUT THE APPROVAL OF MICRO SWITCH.

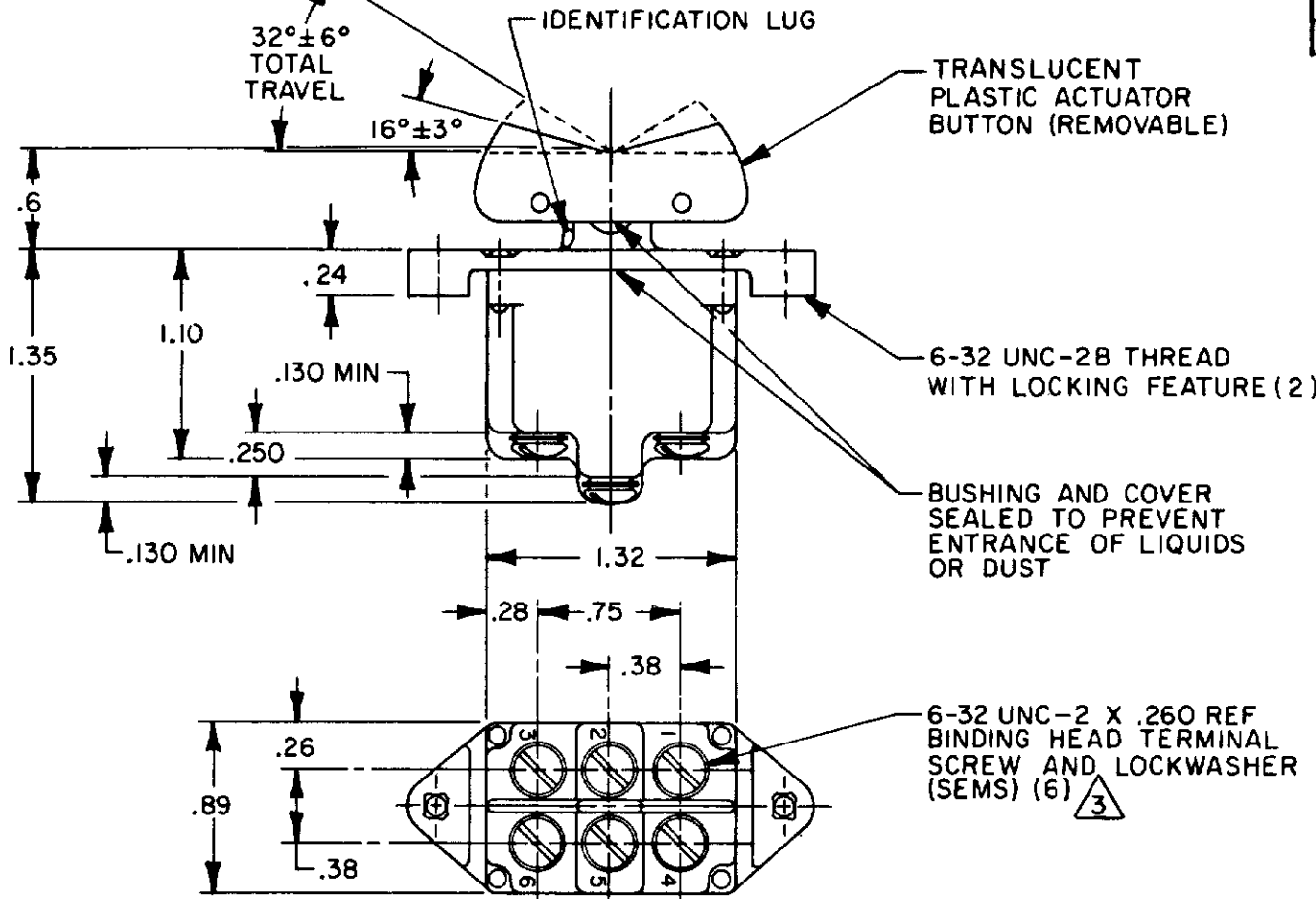
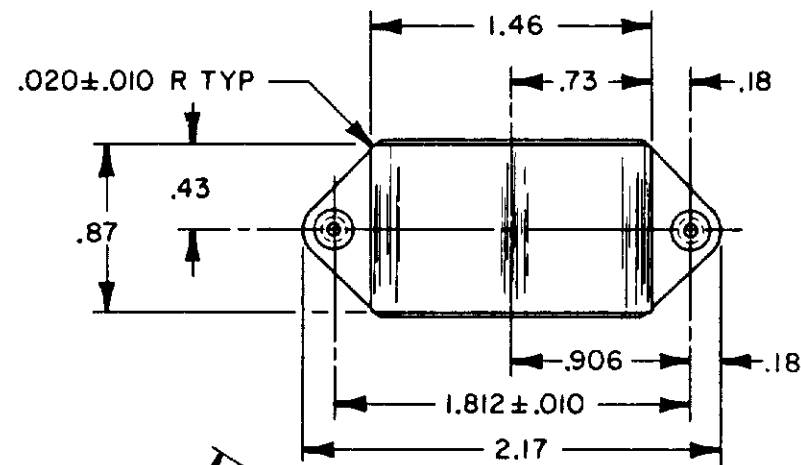
CATALOG LISTING	CIRCUIT WITH BUTTON IN		
	LUG SIDE (1-2, 4-5)	CENTER (1-2, 4-5)	OPPOSITE LUG (2-3, 5-6)
2TP16-1	ON	OFF	ON
ⓑ	OFF	NONE	ON
2TP16-3	ON	NONE	ON
2TP16-21	NONE	OFF	ON
2TP16-31	NONE	ON	ON
2TP16-4	MOM OFF	NONE	ON
2TP16-5	MOM ON	OFF	ON
2TP16-6	MOM ON	NONE	OFF
2TP16-7	MOM ON	OFF	MOM ON
2TP16-8	MOM ON	NONE	ON
2TP16-51	NONE	ON	MOM ON
2TP16-61	MOM ON	OFF	NONE

ELECTRICAL DATA

L191 15A 125, 250, 277 VAC
 1/2HP 125 VAC
 1HP 250, 277 VAC
 5A 125 VAC "L"



L192 10A 125, 250, 277 VAC
 1/4HP 125 VAC,
 1/2HP 250, 277 VAC
 3A 125 VAC "L"



NOTES

- 1 - MICRO SWITCH CATALOG LISTING MARKED ON SIDE OF SWITCH
- 2 - SWITCHES WILL WITHSTAND TEMPERATURE OF 160°F
- ⓐ SCREWS FURNISHED UNASSEMBLED
- ⓑ APPLIES ONLY TO "ON" AND "MOMENTARY ON" POSITION

CATALOG LISTING 2TP16 SERIES CHART 1
 ISSUE 3
 REVISIONS
 A CO 94413 8 OCT 99
 B CO 95303 15 NOV 99
 FORMTEK
 DRAWN TSM 9 JUN 94
 CHECK KAG 7 JUL 94
 RELEASE NO CO-78497
 REPLACES
 2TP16 SERIES

THIRD ANGLE PROJECTION

SCALE FULL

DO NOT SCALE PRINT

TOLERANCES
 APPLY TO DESIGN UNITS CONVERSIONS ARE ONLY FOR REFERENCE UNLESS NOTED TOLERANCES ARE 2

NO PLACES	DIM	TOL	NO PLACES	DIM	TOL
1	IN	±.005	1	MM	±.02
2	IN	±.002	2	MM	±.01
3	IN	±.001	3	MM	±.005
4	IN	±.0005	4	MM	±.002

DESIGN UNITS SI METRIC US CUSTOMARY

WEIGHT 13 LB EST