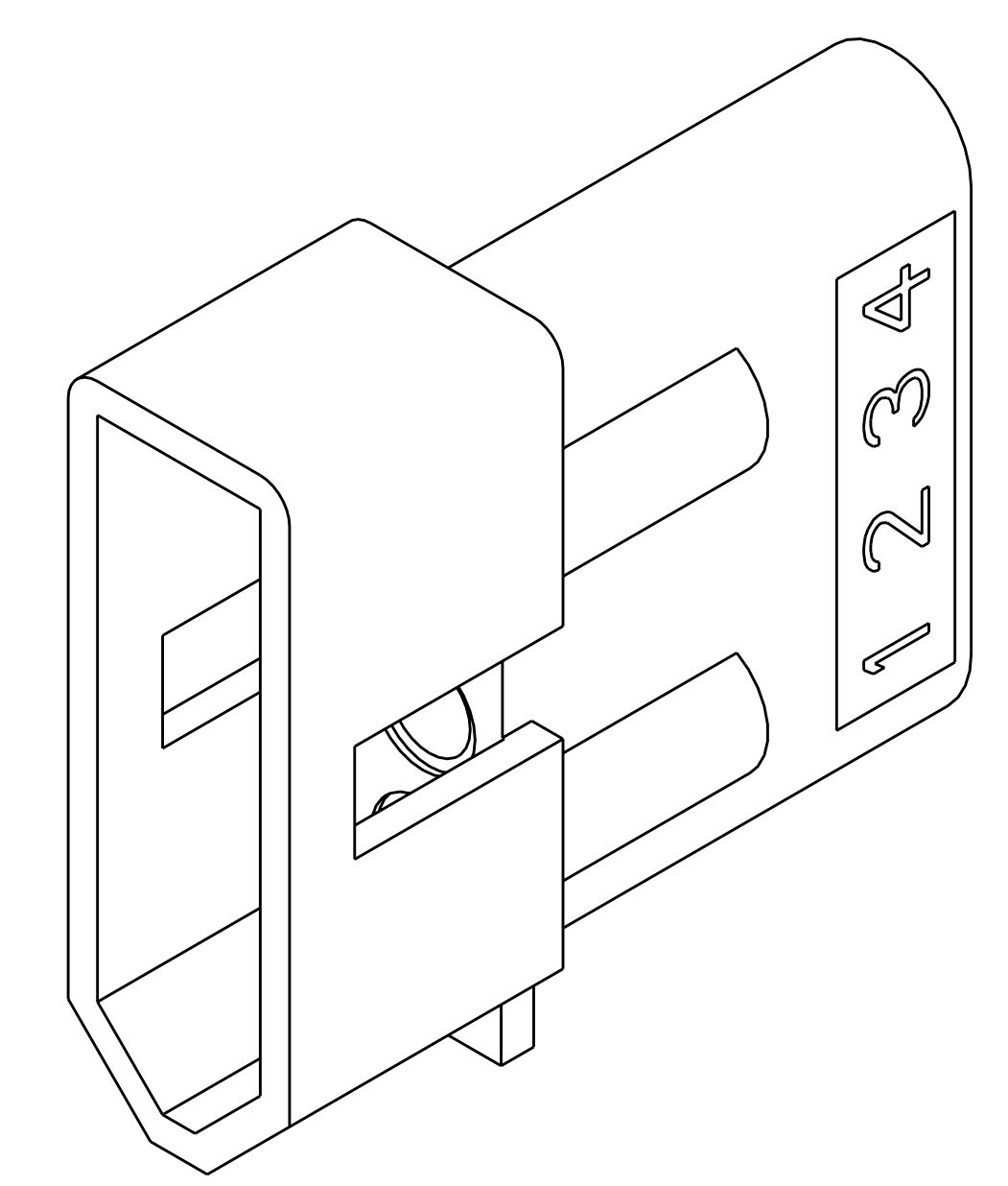
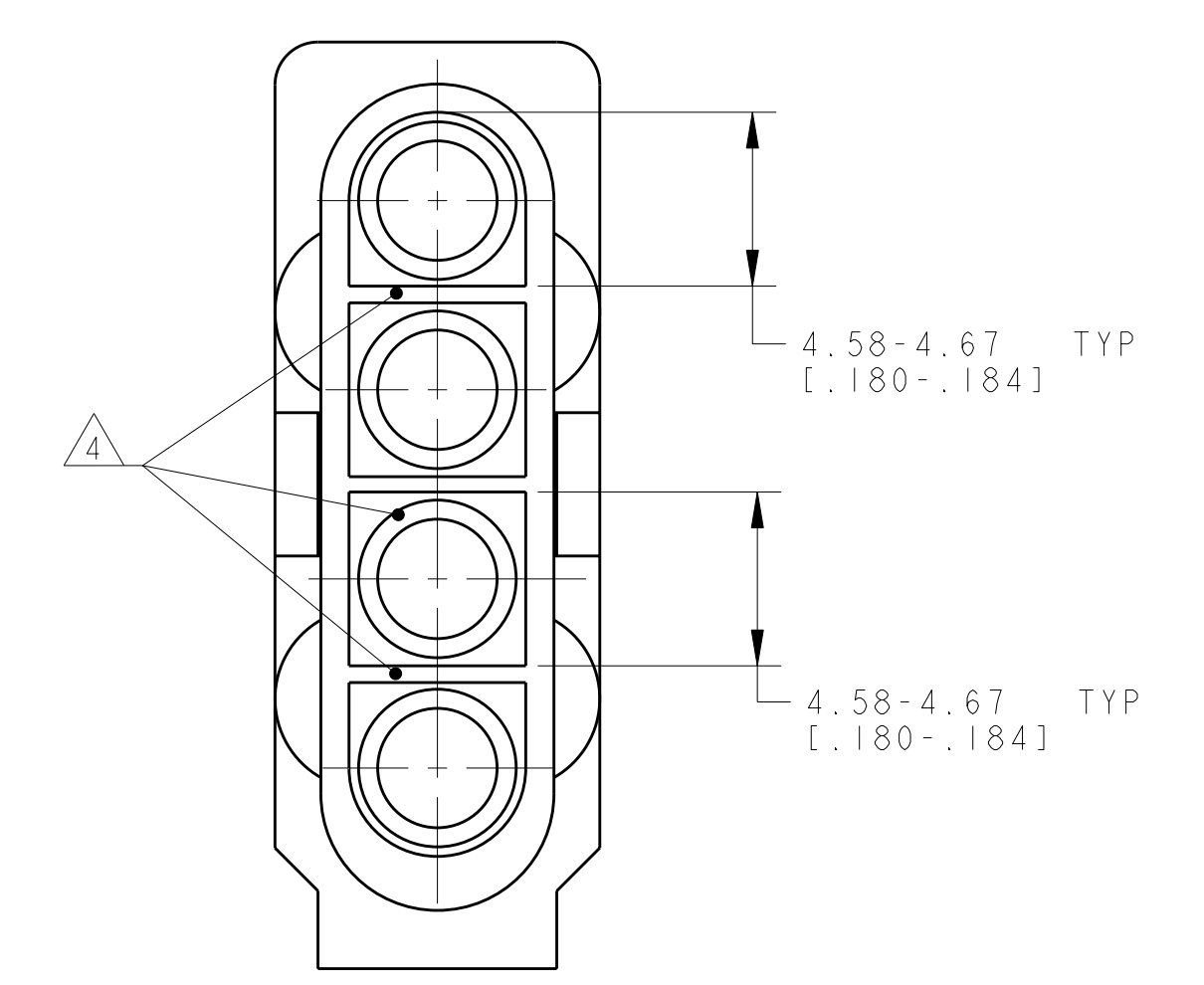
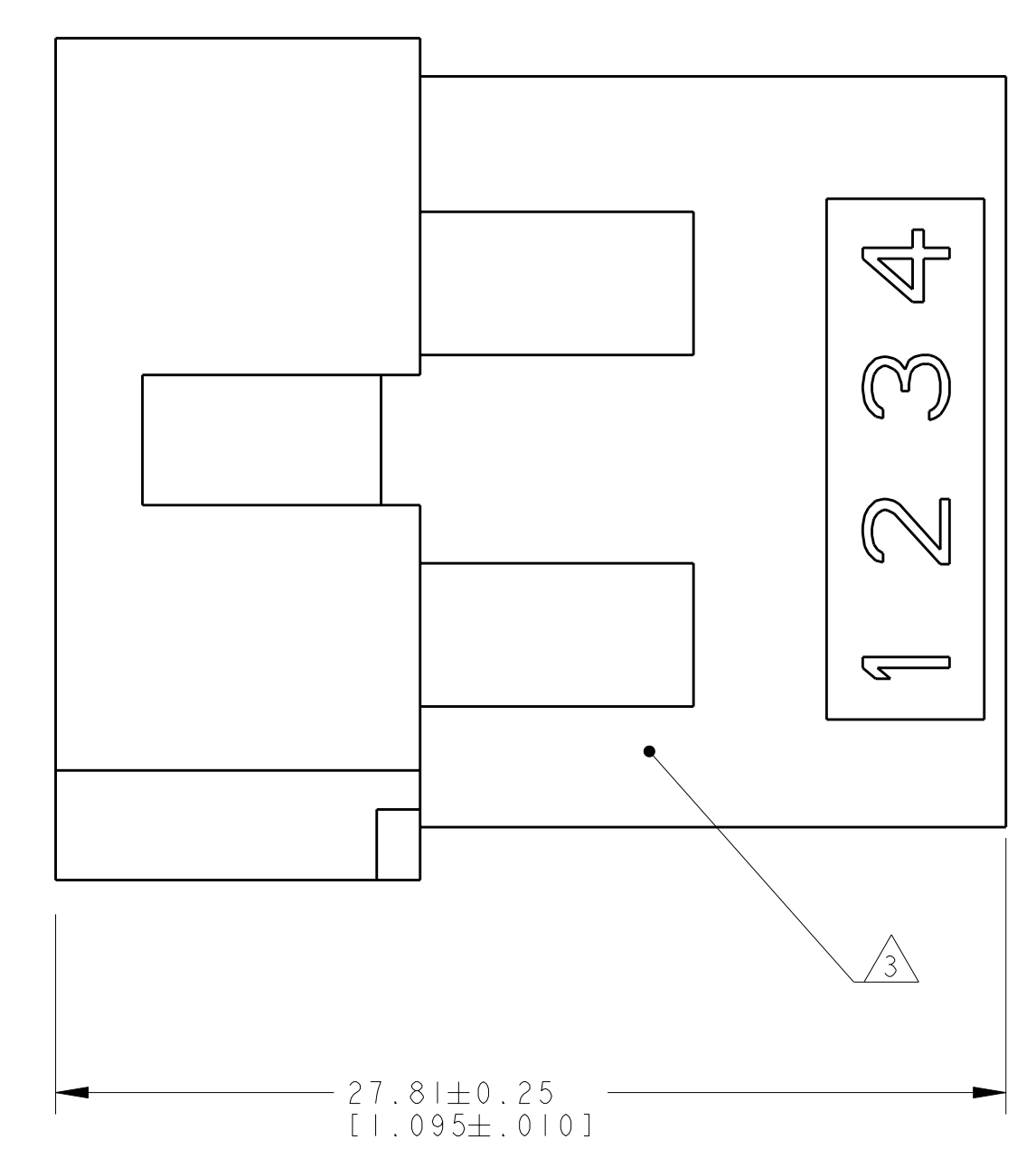
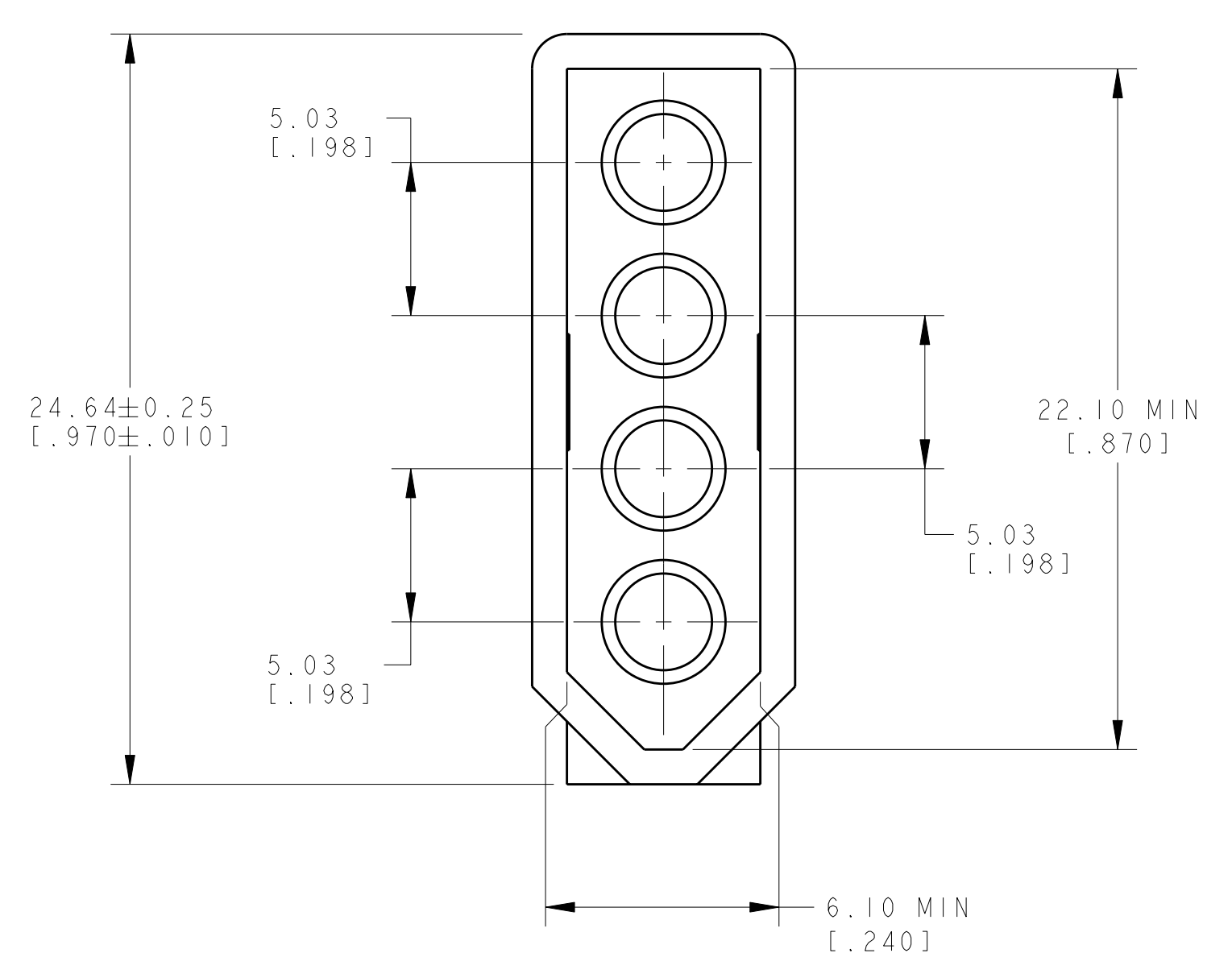


LOC	DIST	REV	DATE	BY	CHK	APPV
CM	00	L	05AUG04	KW	DC	
		L	19JUL06	KW	DC	

- △ MATERIAL: NYLON UL94V-2 (NATURAL).
- 2. MARKING FOR UL AND CSA LOGO SHALL BE LOCATED ON ANY EXTERNAL SURFACE.
- △ AMP LOGO AND CIRCUIT NUMBERS LOCATED IN AREA, EITHER SIDE, SIZE OPTIONAL, FROST BACKGROUND.
- △ WALL THICKNESS TO MEASURE 0.36-0.46 [.014-.018]



METRIC

770078-1
PART NUMBER

DIMENSIONS: mm [INCHES]		TOLERANCES UNLESS OTHERWISE SPECIFIED: 9 PLC ± 8 PLC ± 5 PLC ±0.13 (1.005) 4 PLC ± ANGLES ±		DWN R. WHITAKER 05AUG2004 CHK D. COLEY 05AUG2004 APVD D. COLEY 05AUG2004		Tyco Electronics Harrisburg, PA 17105-3608	
MATERIAL: △		FINISH: -		PRODUCT SPEC: - APPLICATION SPEC: - WEIGHT: -		NAME: PLUG, 4 CIRCUIT, .093 COMMERCIAL PIN AND SOCKET SIZE: A 00779 C=770078 RESTRICTED TO: -	
CUSTOMER DRAWING				SCALE 5:1 SHEET 1 OF 1 REV L			