

TAS5634 300-W Stereo / 600-W Mono HD Digital Input, 58V Class-D Amplifier Power Stage

1 Features

- PWM-Input, Class-D Amplifier Power Stage compatible with TI Digital-Input (I2S) Audio Processors and Modulators
- HD Integrated Closed-Loop Feedback provides:
 - 0.025% THD at 1 W into 6 Ω
 - >70 dB PSRR (No Input Signal)
 - >105 dB SNR (A-weighted)
- Output Power at 10%THD+N
 - 600 W / 3 Ω PBTL Mono Configuration
 - 300 W / 6 Ω BTL Stereo Configuration
 - 230 W / 8 Ω BTL Stereo Configuration
- Output Power at 1%THD+N
 - 465 W / 3 Ω PBTL Mono Configuration
 - 240 W / 6 Ω BTL Stereo Configuration
 - 180 W / 8 Ω BTL Stereo Configuration
- Integrated 80 m Ω MOSFETs for Reduced Heatsink Size
 - >91% Efficiency at Full Output Power
 - >75% Efficiency at 1/8 Output Power
- Click and Pop Free Startup
- Device Protection: Undervoltage, Over Temperature, Overcurrent, Short Circuit Protection and DC Speaker Protection
- Pre-Clipping Output Signal for Control of a Class-G Power Supply
- 44-Pin HTSSOP (DDV) Package with Thermal Pad on the Top

2 Applications

- Powered Speakers
- Subwoofers
- Mini Component Systems
- Soundbars
- Professional and Public Address (PA) Speakers

3 Description

The TAS5634 is a PWM-input, Class-D amplifier power stage that supports 2 x 300 W (6 Ω) or 1 x 600 W (3 Ω) output power with a nominal power supply voltage of 58V. The 58V supply voltage provides support for higher impedance speaker loads including 6 Ω in BTL and 3 Ω in PBTL. Integrated MOSFETs and a new gate drive scheme provide high peak efficiency and low idle losses to reduce thermal solution size.

The TAS5634 uses a closed-loop feedback design with constant voltage gain. The internally matched gain resistors ensure a high power supply rejection ratio (PSRR) and low output noise due to switch mode power supplies (SMPS).

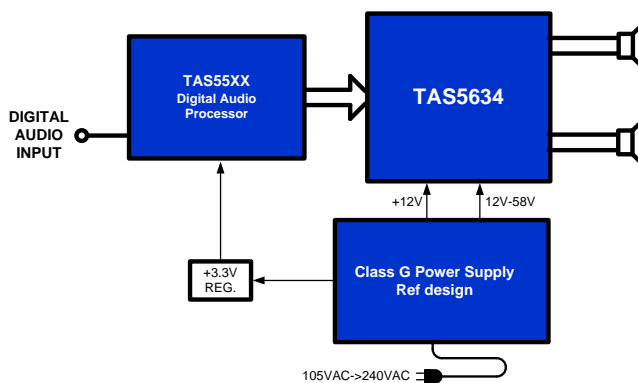
The TAS5634 is a fully integrated power stage compatible with TI's portfolio of digital-input (I2S) audio processors and modulators, like the TAS5548 and TAS5558, making it a complete digital-input Class-D amplifier. The TAS5634 is available in the surface mount 44-pin HTSSOP package and is part of a pin-compatible family of PWM-input Class-D power stages including the TAS5612LA, TAS5614LA and TAS5624A.

Device Information⁽¹⁾

PART NUMBER	PACKAGE	BODY SIZE (NOM)
TAS5634	HTSSOP	14.00 mm x 6.10 mm

(1) For all available packages, see the orderable addendum at the end of the data sheet.

Simplified Schematic



Copyright © 2017, Texas Instruments Incorporated



Table of Contents

1 Features	1	8.3 Feature Description.....	21
2 Applications	1	8.4 Device Functional Modes.....	28
3 Description	1	9 Application and Implementation	31
4 Revision History	2	9.1 Application Information.....	31
5 Device Comparison	3	9.2 Typical Applications	31
6 Pin Configuration and Functions	4	10 Power Supply Recommendations	38
7 Specifications	7	10.1 Power Supplies	38
7.1 Absolute Maximum Ratings	7	10.2 Bootstrap Supply.....	38
7.2 ESD Ratings.....	7	11 Layout	39
7.3 Recommended Operating Conditions.....	8	11.1 Layout Guidelines	39
7.4 Thermal Information	8	11.2 Layout Example	41
7.5 Audio Specification Stereo (BTL).....	9	12 Device and Documentation Support	43
7.6 Audio Specifications Mono (PBTL)	9	12.1 Receiving Notification of Documentation Updates	43
7.7 Audio Specification 4 Channels (SE).....	10	12.2 Community Resources.....	43
7.8 Electrical Characteristics.....	11	12.3 Trademarks	43
7.9 Typical Characteristics	12	12.4 Electrostatic Discharge Caution.....	43
8 Detailed Description	18	12.5 Glossary	43
8.1 Overview	18	13 Mechanical, Packaging, and Orderable	43
8.2 Functional Block Diagrams	19	Information	43

4 Revision History

DATE	REVISION	NOTES
October 2017	*	Initial Public release.

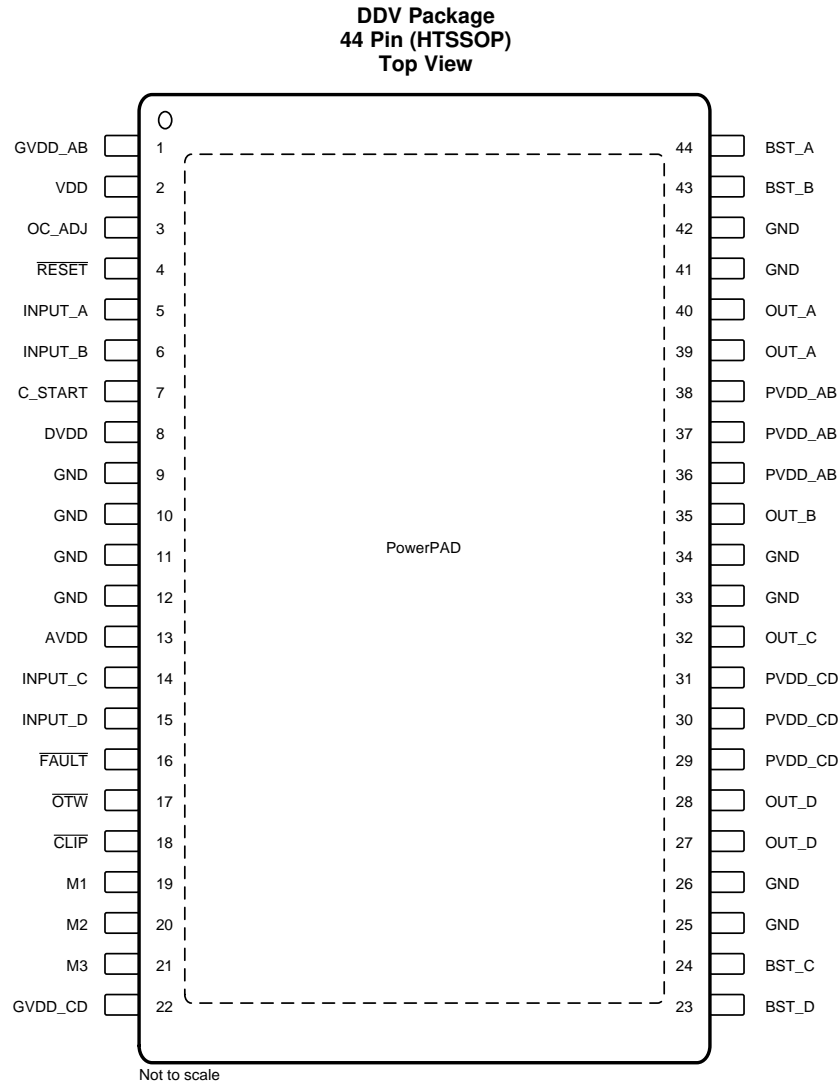
5 Device Comparison

DEVICE NAME	DESCRIPTION	PVDD VOLTAGE (Nom.)	R _{Drain-to-Source}
TAS5612LA	125 W Stereo / 250 W Mono HD Digital-Input Power Stage	32.5 V	60 mΩ
TAS5614LA	150 W Stereo / 300 W Mono HD Digital-Input Power Stage	36 V	60 mΩ
TAS5624A	200 W Stereo / 400 W Mono HD Digital-Input Power Stage	36 V	40 mΩ
TAS5634	300 W Stereo / 600 W Mono HD Digital-Input Power Stage	58 V	80 mΩ

6 Pin Configuration and Functions

The TAS5634 is available in a thermally-enhanced, 44-Pin HTSSOP package (DDV).

The package contains a PowerPAD™ that is located on the top side of the device for convenient thermal coupling to a heatsink.



Pin Functions

PIN		I/O/P ⁽¹⁾	DESCRIPTION	Sections
NAME	NO.			
AVDD	13	P	Analog internal voltage regulator output. Place 1 μ F capacitor to GND.	VDD Supply, Internal Regulators (DVDD and AVDD)
BST_A	44	P	Bootstrap pin, A-side. Connect 0.33 nF ceramic capacitor to OUT_A.	BST, Bootstrap Supply
BST_B	43	P	Bootstrap pin, B-side. Connect 0.33 nF ceramic capacitor to OUT_B.	BST, Bootstrap Supply
BST_C	24	P	Bootstrap pin, C-side. Connect 0.33 nF ceramic capacitor to OUT_C.	BST, Bootstrap Supply
BST_D	23	P	Bootstrap pin, D-side. Connect 0.33 nF ceramic capacitor to OUT_D.	BST, Bootstrap Supply
$\overline{\text{CLIP}}$	18	O	Clipping warning; open drain; active low. Connect 10 k Ω pull-up resistor to DVDD to monitor. If unused, do not connect.	Error Reporting
C_START	7	O	Startup ramp timing control pin. Connect capacitor to ground. 330nF for BTL / PBTL mode. 1 μ F for SE mode.	Startup and Shutdown Ramp Sequence (C_START)
DVDD	8	P	Digital internal voltage regulator output. Place 1 μ F capacitor to GND.	VDD Supply, Internal Regulators (DVDD and AVDD)
$\overline{\text{FAULT}}$	16	O	Fault signal output, open drain; active low. Connect 10 k Ω pull-up resistor to DVDD to monitor. If unused, do not connect.	Error Reporting
GND	9, 10, 11, 12, 25, 26, 33, 34, 41, 42	P	Ground.	
GVDD_AB	1	P	Gate-drive voltage supply; AB-side. Place 100 nF decoupling capacitor to GND.	GVDD, Gate-Drive Power Supply
GVDD_CD	22	P	Gate-drive voltage supply; CD-side. Place 100 nF decoupling capacitor to GND.	GVDD, Gate-Drive Power Supply
INPUT_A	5	I	PWM Input signal for half-bridge A. If unused, connect INPUT_A to GND.	
INPUT_B	6	I	PWM Input signal for half-bridge B. If unused, connect INPUT_B to GND.	
INPUT_C	14	I	PWM Input signal for half-bridge C. If unused, connect INPUT_C to GND.	
INPUT_D	15	I	PWM Input signal for half-bridge D. If unused, connect INPUT_D to GND.	
M1	19	I	Mode selection 1.	Device Functional Modes
M2	20	I	Mode selection 2.	Device Functional Modes
M3	21	I	Mode selection 3.	Device Functional Modes
OC_ADJ	3	O	Over-Current threshold programming pin. Connect programming resistor to GND. Use 27 k Ω for typical applications.	Overload and Short Circuit Current Protection
$\overline{\text{OTW}}$	17	O	Over-temperature warning; open drain; active low. Connect 10 k Ω pull-up resistor to DVDD to monitor. If unused, do not connect.	Error Reporting
OUT_A	39, 40	O	Output, half-bridge A. If unused, remove BST_A capacitor and GND INPUT_A pin. Output pins can be left floating.	
OUT_B	35	O	Output, half-bridge B. If unused, remove BST_B capacitor and GND INPUT_B pin. Output pins can be left floating.	
OUT_C	32	O	Output, half-bridge C. If unused, remove BST_C capacitor and GND INPUT_C pin. Output pins can be left floating.	
OUT_D	27, 28	O	Output, half-bridge D. If unused, remove BST_D capacitor and GND INPUT_D pin. Output pins can be left floating.	
PVDD_AB	36, 37, 38	P	PVDD supply for half-bridge A and B. Place a minimum of 1 μ F decoupling capacitor near PVDD_AB pin.	PVDD, Output Stage Power Supply
PVDD_CD	29, 30, 31	P	PVDD supply for half-bridge C and D. Place a minimum of 1 μ F decoupling capacitor near PVDD_CD pin.	PVDD, Output Stage Power Supply
$\overline{\text{RESET}}$	4	I	Device reset pin; active low.	Device Reset

(1) I = Input, O = Output, P = Power

Pin Functions (continued)

PIN		I/O/P ⁽¹⁾	DESCRIPTION	Sections
NAME	NO.			
VDD	2	P	12V power supply input for internal analog and digital voltage regulators.	VDD Supply, Internal Regulators (DVDD and AVDD)
PowerPAD TM		P	Ground, connect to grounded heat sink.	

Table 1. Mode Selection Pins

MODE PINS			PWM Input ⁽¹⁾	Output Configuration	Input A	Input B	Input C	Input D	DC Speaker Protection ⁽²⁾	Mode	C_START Capacitor
M3	M2	M1									
0	0	0	2N	2 x BTL	PWMA	PWMB	PWMC	PWMD	Enabled	AD	330 nF
0	0	1	1N ⁽³⁾	2 x BTL	PWMA	Unused	PWMC	Unused	Enabled	AD	330 nF
0	1	0	2N	2 x BTL	PWMA	PWMB	PWMC	PWMD	Disabled	AD or BD	330 nF
0	1	1	2N/1N ⁽³⁾	1 x BTL + 2 x SE ⁽⁴⁾	PWMA	PWMB	PWMC	PWMD	Enabled (BTL only)	AD	1 μF
1	0	0	2N	1 x PBTL	PWMA	PWMB	0	0	Enabled	AD	330 nF
1	0	0	1N ⁽³⁾	1 x PBTL	PWMA	Unused	0	1	Enabled	AD	330 nF
1	0	0	2N	1 x PBTL	PWMA	PWMB	1	0	Disabled	AD or BD	330 nF
1	0	1	1N1	4 x SE ⁽⁵⁾	PWMA	PWMB	PWMC	PWMD	Disabled	AD	1 μF

(1) The 1N and 2N naming convention is used to indicate the number of PWM lines to the power stage per channel in a specific mode.

(2) DC Speaker Protection is disabled in BD mode due to in phase inductor ripple current.

(3) Using 1N interface in BTL and PBTL mode results in increased DC offset on the output terminals.

(4) In [011] 1 x BTL + 2 x SE mode, Output A and B refers to the BTL channel, and Output C and D the SE channels

(5) The 4xSE mode can be used as 1 x BTL + 2 x SE configuration by feeding a 2N PWM signal to either INPUT_AB or INPUT_CD

7 Specifications

7.1 Absolute Maximum Ratings

over operating free-air temperature range unless otherwise noted ⁽¹⁾

	MIN	MAX	UNIT
VDD to GND, GVDD_X ⁽²⁾ to GND	-0.3	13.2	V
PVDD_X ⁽²⁾ to GND	-0.3	65	V
PVDD_X ⁽²⁾ to GND ⁽³⁾ (Less than 8ns transient)	-0.3	71	V
OUT_X to GND	-0.3	65	V
OUT_X to GND ⁽³⁾ (Less than 8ns transient)	-7	71	V
BST_X to OUT_X ⁽⁴⁾	-0.3	13.2	V
DVDD to GND	-0.3	4.2	V
AVDD to GND	-0.3	8.5	V
OC_ADJ, M1, M2, M3, C_START, INPUT_X to GND	-0.3	4.2	V
RESET, FAULT, OTW, CLIP, to GND	-0.3	4.2	V
Maximum continuous sink current ($\overline{\text{FAULT}}$, $\overline{\text{OTW}}$, $\overline{\text{CLIP}}$)		9	mA
Maximum operating junction temperature range, T _J	0	150	°C
Storage temperature, T _{stg}	-40	150	°C

- (1) Stresses beyond those listed under *Absolute Maximum Ratings* may cause permanent damage to the device. These are stress ratings only, and functional operation of the device at these or any other conditions beyond those indicated under *Recommended Operating Conditions* is not implied. Exposure to absolute-maximum-rated conditions for extended periods may affect device reliability.
- (2) GVDD_X and PVDD_X represents a full bridge gate drive or power supply. GVDD_X is GVDD_AB or GVDD_CD, PVDD_X is PVDD_AB or PVDD_CD
- (3) These voltages represents the DC voltage + peak AC waveform measured at the terminal of the device in all conditions.
- (4) Maximum BST_X to GND voltage is the sum of maximum PVDD to GND and GVDD to GND voltages minus a diode drop.

7.2 ESD Ratings

			VALUE	UNIT
V _(ESD)	Electrostatic discharge	Human-body model (HBM), per ANSI/ESDA/JEDEC JS-001 ⁽¹⁾ ⁽²⁾	±2000	V
	Electrostatic discharge	Charged-device model (CDM), per JEDEC specification JESD22-C101 ⁽³⁾ ⁽²⁾	±500	V

- (1) JEDEC document JEP155 states that 500-V HBM allows safe manufacturing with a standard ESD control process.
- (2) Maximum BST_X to GND voltage is the sum of maximum PVDD to GND and GVDD to GND voltages minus a diode drop.
- (3) JEDEC document JEP157 states that 250-V CDM allows safe manufacturing with a standard ESD control process.

7.3 Recommended Operating Conditions

			MIN	TYP	MAX	UNIT
PVDD_X	Full-bridge supply	DC supply voltage	12	58	62	V
GVDD_X	Supply for logic regulators and gate-drive circuitry	DC supply voltage	10.8	12	13.2	V
VDD	Digital regulator supply voltage	DC supply voltage	10.8	12	13.2	V
R _L	Load impedance	BTL	5	8	Ω	
		PBTL	3	4		
		SE	3	4		
L _{OUTPUT}	Output filter inductance	Minimum inductance at overcurrent limit, including inductor tolerance, temperature and possible inductor saturation	7	15	μH	
f _{PWM}	PWM frame rate		352	384	500	kHz
C _{PVDD}	PVDD close decoupling capacitors		0.44	1	μF	
C _{START}	Startup ramp capacitor	BTL and PBTL configuration	330		nF	
		SE and 1xBTL + 2xSE configuration	1		μF	
R _{OC}	Over-current programming resistor, Resistor tolerance = 5%		24	27	33	kΩ
R _{OC_LATCHED}	Over-current programming resistor, Resistor tolerance = 5%		47	56	62	kΩ
T _J	Junction temperature		0		125	°C

7.4 Thermal Information

THERMAL METRIC ⁽¹⁾		TAS5634	UNIT
		DDV (HTSSOP)	
		44 PINS	
R _{θJA}	Junction-to-ambient thermal resistance	2.6	°C/W
R _{θJC(top)}	Junction-to-case (top) thermal resistance	0.4	°C/W
R _{θJB}	Junction-to-board thermal resistance	2.0	°C/W
ψ _{JT}	Junction-to-top characterization parameter	0.4	°C/W
ψ _{JB}	Junction-to-board characterization parameter	1.9	°C/W
R _{θJC(bot)}	Junction-to-case (bottom) thermal resistance	n/a	°C/W

(1) For more information about traditional and new thermal metrics, see the [Semiconductor and IC Package Thermal Metrics](#) application report.

7.5 Audio Specification Stereo (BTL)

Audio performance is recorded as a chipset consisting of a TAS5548 PWM Processor (AD-mode, modulation index limited to 97.7%) and a TAS5634 power stage with PCB and system configurations in accordance with recommended guidelines. Audio frequency = 1 kHz, PVDD_X = 58 V, GVDD_X = 12 V, R_L = 6 Ω, f_s = 384 kHz, R_{OC} = 30 kΩ, T_C = 75°C, Output Filter: L_{DEM} = 15 μH, C_{DEM} = 680 nF, unless otherwise noted.

PARAMETER		TEST CONDITIONS	MIN	TYP	MAX	UNIT
P _O	Power output per channel	R _L = 8 Ω, 10% THD+N		230		W
		R _L = 6 Ω, 10% THD+N T _C = 25°C		300		
		R _L = 6 Ω, 10% THD+N		295		
		R _L = 8 Ω, 1% THD+N		180		
		R _L = 6 Ω, 1% THD+N		240		
THD+N	Total harmonic distortion + noise	1 W, 1 kHz signal		0.025		%
V _n	Output integrated noise	A-weighted, AES17 measuring filter, dither off, noise shaper off ⁽¹⁾		215		μV
V _{OS}	Output offset voltage	No signal		50		mV
SNR	Signal-to-noise ratio ⁽²⁾	A-weighted, AES17 measuring filter, noise shaper off		105		dB
DNR	Dynamic range	A-weighted, -60 dBFS (rel 1% THD+N), noise shaper on		102		dB
P _{idle}	Power dissipation due to Idle losses (IPVDD_X)	P _O = 0, channels switching ⁽³⁾		8.6		W

(1) It is recommended to turn off PWM processor noise shaper while no audio present for lowest output noise

(2) SNR is calculated relative to 1% THD-N output level.

(3) Actual system idle losses also are affected by core losses of output inductors.

7.6 Audio Specifications Mono (PBTTL)

Audio performance is recorded as a chipset consisting of a TAS5548 PWM Processor (AD-mode, modulation index limited to 97.7%) and a TAS5634 power stage with PCB and system configurations in accordance with recommended guidelines. Audio frequency = 1 kHz, PVDD_X = 58 V, GVDD_X = 12 V, R_L = 3 Ω, f_s = 384 kHz, R_{OC} = 30 kΩ, T_C = 75°C, Output Filter: L_{DEM} = 15 μH, C_{DEM} = 680 nF, C_{DCB} = 470 μF, unless otherwise noted.

PARAMETER		TEST CONDITIONS	MIN	TYP	MAX	UNIT
P _O	Power output per channel	R _L = 4 Ω, 10% THD+N		460		W
		R _L = 3 Ω, 10% THD+N		590		
		R _L = 3 Ω, 10% THD+N, PVDD = 58.5V		600		
		R _L = 4 Ω, 1% THD+N		365		
		R _L = 3 Ω, 1% THD+N		465		
THD+N	Total harmonic distortion + noise	1 W, 1 kHz signal		0.04		%
V _n	Output integrated noise	A-weighted, AES17 measuring filter, dither off, noise shaper off ⁽¹⁾		214		μV
V _{OS}	Output offset voltage	No signal		50		mV
SNR	Signal-to-noise ratio ⁽²⁾	A-weighted, AES17 measuring filter, noise shaper off		105		dB
DNR	Dynamic range	A-weighted, -60dBFS (rel 1% THD+N), noise shaper on		102		dB
P _{idle}	Power dissipation due to Idle losses (IPVDD_X)	P _O = 0, channels switching ⁽³⁾		8.6		W

(1) It is recommended to turn off PWM processor noise shaper while no audio present for lowest output noise

(2) SNR is calculated relative to 1% THD-N output level.

(3) Actual system idle losses also are affected by core losses of output inductors.

7.7 Audio Specification 4 Channels (SE)

Audio performance is recorded as a chipset consisting of a TAS5548 PWM Processor (AD-mode, modulation index limited to 97.7%) and a TAS5634 power stage with PCB and system configurations in accordance with recommended guidelines. Audio frequency = 1 kHz, PVDD_X = 58 V, GVDD_X = 12 V, R_L = 3 Ω, f_s = 384 kHz, R_{OC} = 30 kΩ, T_C = 75°C, Output Filter: L_{DEM} = 15 μH, C_{DEM} = 680 nF, C_{DCB} = 470 μF, unless otherwise noted.

PARAMETER		TEST CONDITIONS	MIN	TYP	MAX	UNIT
P _O	Power output per channel	R _L = 4 Ω, 10% THD+N		110		W
		R _L = 3 Ω, 10% THD+N T _c = 25°C		150		
		R _L = 3 Ω, 10% THD+N		145		
		R _L = 4 Ω, 1% THD+N		90		
		R _L = 3 Ω, 1% THD+N		115		
THD+N	Total harmonic distortion + noise	1 W, 1 kHz signal		0.05		%
V _n	Output integrated noise	A-weighted, AES17 measuring filter, dither off, noise shaper off ⁽¹⁾		145		μV
SNR	Signal-to-noise ratio ⁽²⁾	A-weighted, AES17 measuring filter, noise shaper off		102		dB
DNR	Dynamic range	A-weighted, -60 dBFS (rel 1% THD+N), noise shaper on		102		dB
P _{idle}	Power dissipation due to Idle losses (IPVDD_X)	P _O = 0, channels switching ⁽³⁾		8.6		W

(1) It is recommended to turn off PWM processor noise shaper while no audio present for lowest output noise

(2) SNR is calculated relative to 1% THD-N output level.

(3) Actual system idle losses also are affected by core losses of output inductors.

7.8 Electrical Characteristics

PVDD_X = 58 V, GVDD_X = 12 V, VDD = 12 V, T_C (Case temperature) = 75°C, f_S = 384 kHz, unless otherwise specified.

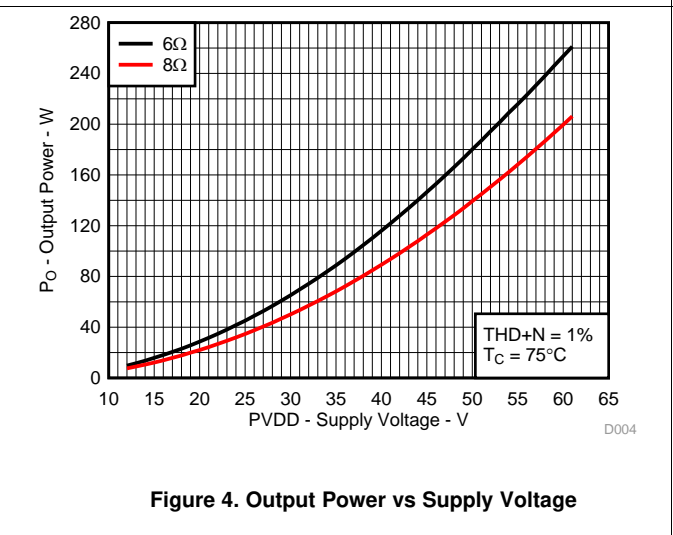
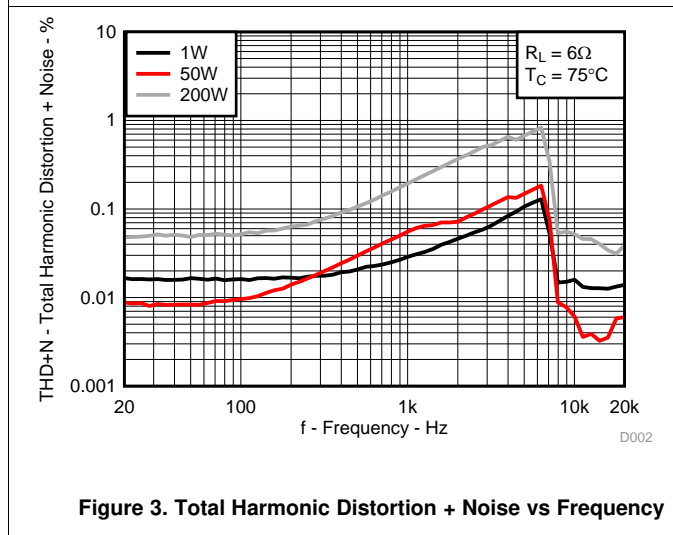
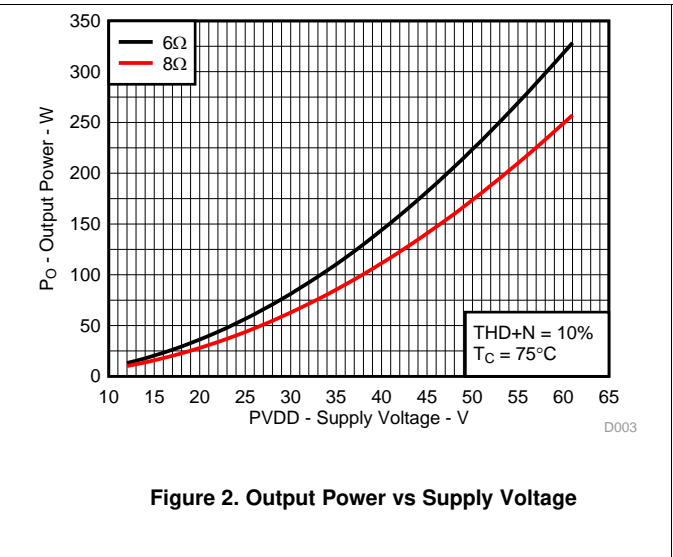
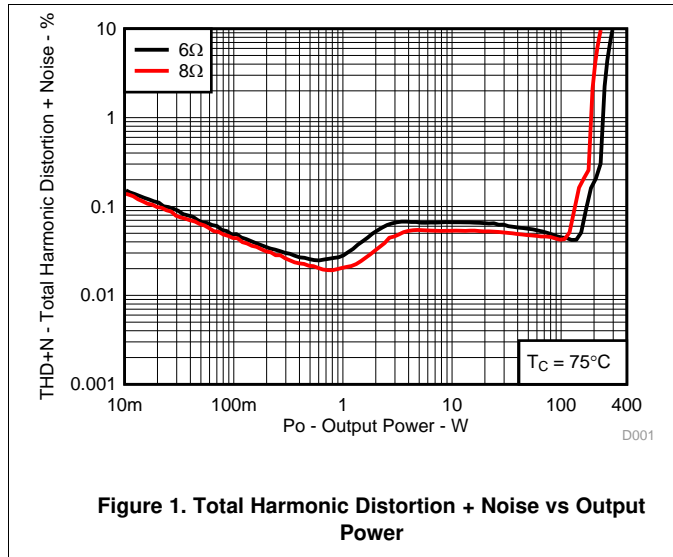
PARAMETER		TEST CONDITIONS	MIN	TYP	MAX	UNIT
INTERNAL VOLTAGE REGULATOR AND CURRENT CONSUMPTION						
DVDD	Voltage regulator, only used as a reference node	VDD = 12 V	3.0	3.3	3.6	V
AVDD	Voltage regulator, only used as a reference node	VDD = 12 V		7.8		V
I _{VDD}	VDD supply current	Operating, 50% duty cycle		23		mA
		Idle, reset mode		23		
I _{GVDD_X}	Gate-supply current per full-bridge	50% duty cycle		22		mA
		Reset mode		3		
I _{PVDD_X}	Full-bridge idle current	50% duty cycle without load		148		mA
		RESET low		3.5		
OUTPUT-STAGE MOSFETS						
R _{DS(on), LS}	Drain-to-source resistance, low side (LS)	T _J = 25°C, excludes metallization resistance, GVDD = 12 V		80		mΩ
R _{DS(on), HS}	Drain-to-source resistance, high side (HS)			80		mΩ
I/O PROTECTION						
V _{uvp, GVDD}	Undervoltage protection limit, GVDD_X			8.5		V
V _{uvp, GVDD, hyst} ⁽¹⁾				0.7		V
V _{uvp, VDD}	Undervoltage protection limit, VDD			8.5		V
V _{uvp, VDD, hyst} ⁽¹⁾				0.7		V
V _{uvp, PVDD}	Undervoltage protection limit, PVDD_X			8.5		V
V _{uvp, PVDD, hyst} ⁽¹⁾				0.7		V
OTW ⁽¹⁾	Overtemperature warning		115	125	135	°C
OTW _{hyst} ⁽¹⁾	Temperature drop needed below OTW temperature for OTW to be inactive after OTW event.			20		°C
OTE ⁽¹⁾	Overtemperature error		145	155	165	°C
OTE-OTW _{differential} ⁽¹⁾	OTE-OTW differential			30		°C
OTE _{HYST} ⁽¹⁾	A device reset is needed to clear FAULT after an OTE event			20		°C
OLPC	Overload protection counter	f _{PWM} = 384 kHz		2.6		ms
I _{OC}	Overcurrent limit protection	Resistor – programmable, nominal peak current in 1Ω load, ROC = 27 kΩ (Typ)		14		A
I _{OC_LATCHED}	Overcurrent limit protection, latched	Resistor – programmable, nominal peak current in 1Ω load, ROC = 56 kΩ (Typ)		14		A
I _{DC_OC}	Speaker DC protection limit	Resistor – programmable, ROC = 27 kΩ		1.5		A
I _{DC_OC_LATCHED}	Speaker DC protection limit	Resistor – programmable, ROC = 56 kΩ		1.5		A
I _{OCT}	Overcurrent response time	Time from application of short condition to Hi-Z of affected half bridge		150		ns
I _{PD}	Internal pulldown resistor at output of each half bridge	Connected when RESET is active to provide bootstrap charge. Not used in SE mode.		3		mA
STATIC DIGITAL SPECIFICATIONS						
V _{IH}	High level input voltage	INPUT_X, M1, M2, M3, RESET	1.9			V
V _{IL}	Low level input voltage				0.8	
LEAKAGE	Input leakage current				100	μA
OTW / SHUTDOWN (FAULT)						
R _{INT_PU}	Internal pullup resistance, OTW, CLIP, FAULT to DVDD		20	26	33	kΩ
V _{OH}	High level output voltage	Internal pullup resistor	3	3.3	3.6	V
V _{OL}	Low level output voltage	I _O = 4mA		200	500	mV
FANOUT	Device fanout OTW, FAULT, CLIP	No external pullup		30		devices

(1) Specified by design.

7.9 Typical Characteristics

7.9.1 BTL Configuration

Measurement Conditions: TAS5548 PWM Processor (AD-mode, modulation index limited to 97.7%), Audio frequency = 1 kHz, PVDD_X = 58 V, GVDD_X = 12 V, $R_L = 6\ \Omega$, $f_S = 384\ \text{kHz}$, $R_{OC} = 30\ \text{k}\Omega$, $T_C = 75^\circ\text{C}$, Output Filter: $L_{DEM} = 15\ \mu\text{H}$, $C_{DEM} = 680\ \text{nF}$, 20 Hz to 20 kHz BW (AES17 low pass filter), unless otherwise noted.



BTL Configuration (continued)

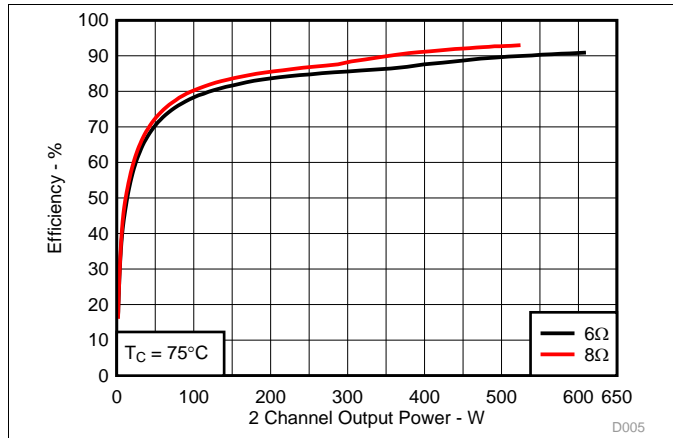


Figure 5. Efficiency vs 2 Channel Output Power

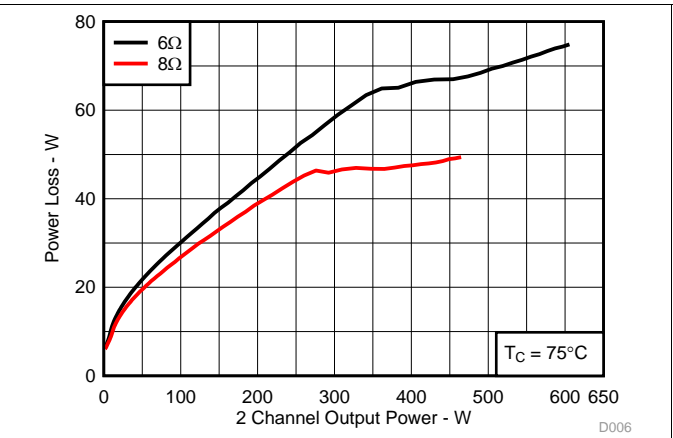


Figure 6. Power Loss vs 2 Channel Output Power

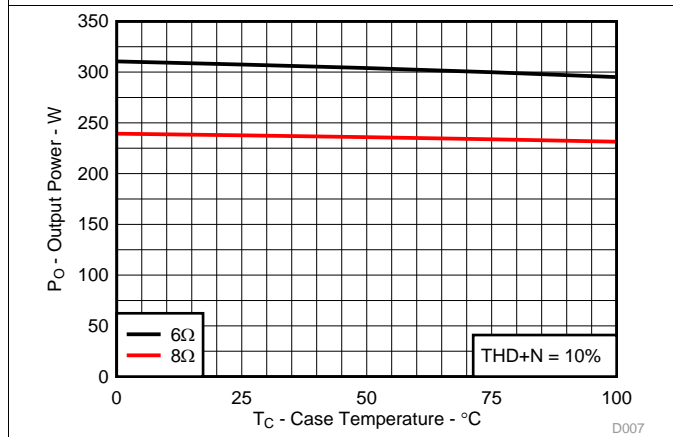


Figure 7. Output Power vs Case Temperature

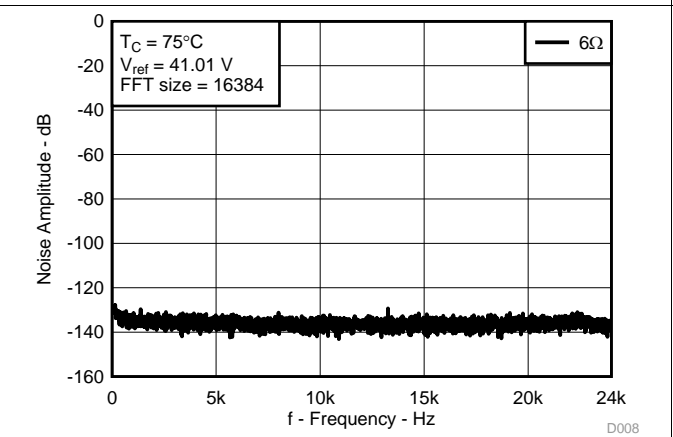


Figure 8. Noise Amplitude vs Frequency

7.9.2 PBTL Configuration

Measurement Conditions: TAS5548 PWM Processor (AD-mode, modulation index limited to 97.7%), Audio frequency = 1 kHz, PVDD_X = 58 V, GVDD_X = 12 V, $R_L = 3\ \Omega$, $f_S = 384\ \text{kHz}$, $R_{OC} = 30\ \text{k}\Omega$, $T_C = 75^\circ\text{C}$, Output Filter: $L_{DEM} = 15\ \mu\text{H}$, $C_{DEM} = 680\ \text{nF}$, $C_{DCB} = 470\ \mu\text{F}$, 20 Hz to 20 kHz BW (AES17 low pass filter), unless otherwise noted.

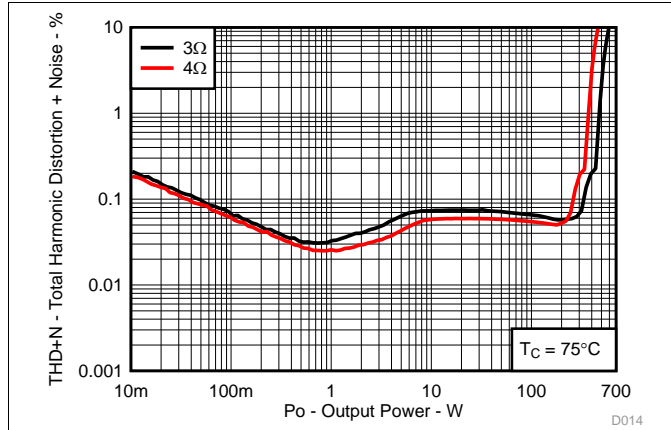


Figure 9. Total Harmonic Distortion + Noise vs Output Power

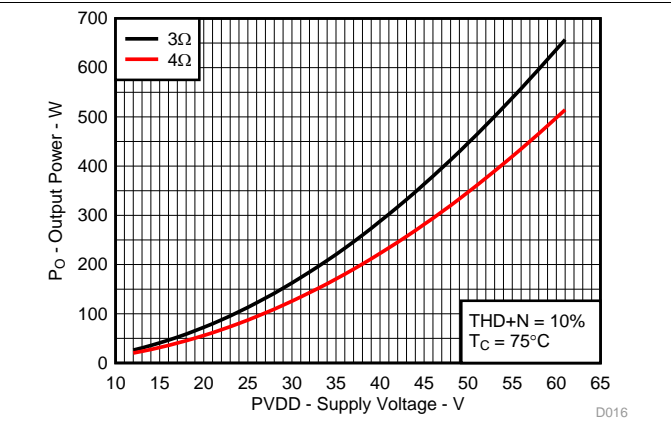


Figure 10. Output Power vs Supply Voltage

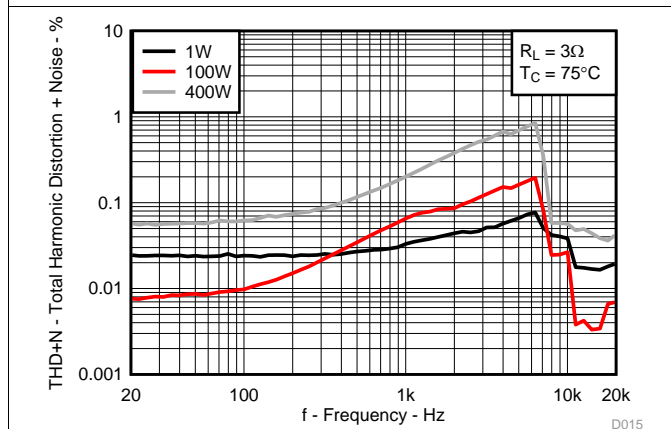


Figure 11. Total Harmonic Distortion + Noise vs Frequency

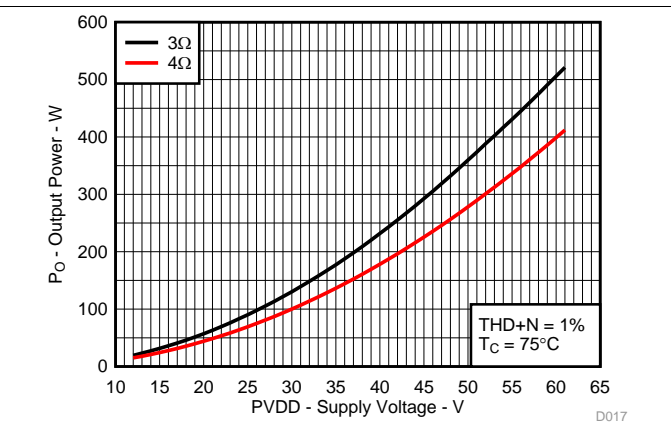
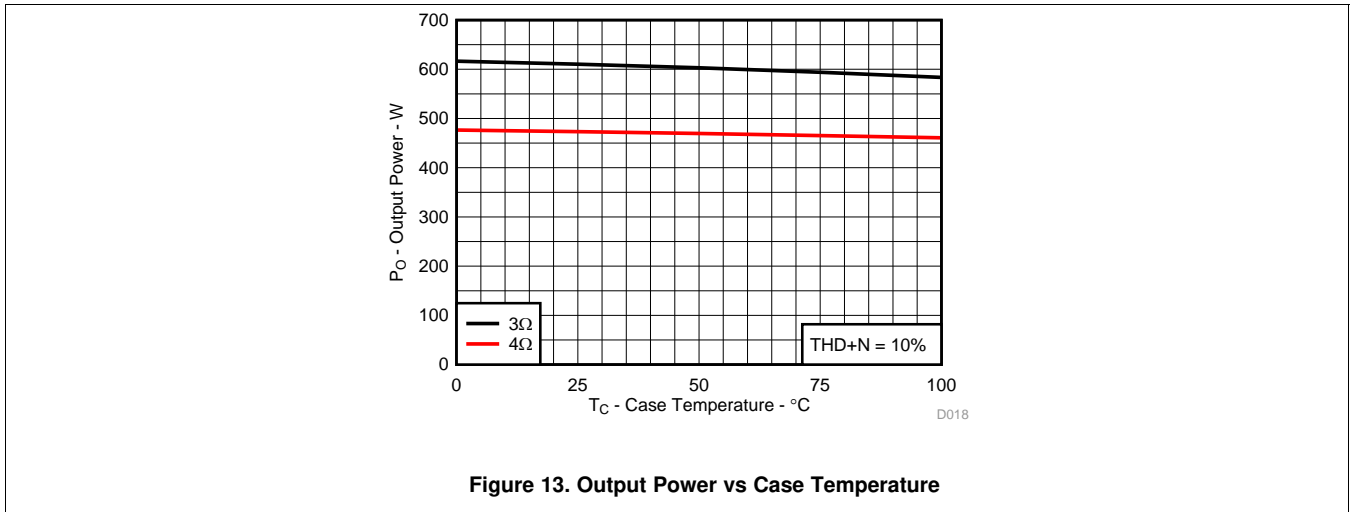


Figure 12. Output Power vs Supply Voltage

PBTL Configuration (continued)



7.9.3 SE Configuration

Measurement Conditions: TAS5548 PWM Processor (AD-mode, modulation index limited to 97.7%), Audio frequency = 1 kHz, PVDD_X = 58 V, GVDD_X = 12 V, $R_L = 3 \Omega$, $f_S = 384 \text{ kHz}$, $R_{OC} = 30 \text{ k}\Omega$, $T_C = 75^\circ\text{C}$, Output Filter: $L_{DEM} = 15 \mu\text{H}$, $C_{DEM} = 680 \text{ nF}$, $C_{DCB} = 470 \mu\text{F}$, 20 Hz to 20 kHz BW (AES17 low pass filter), unless otherwise noted.

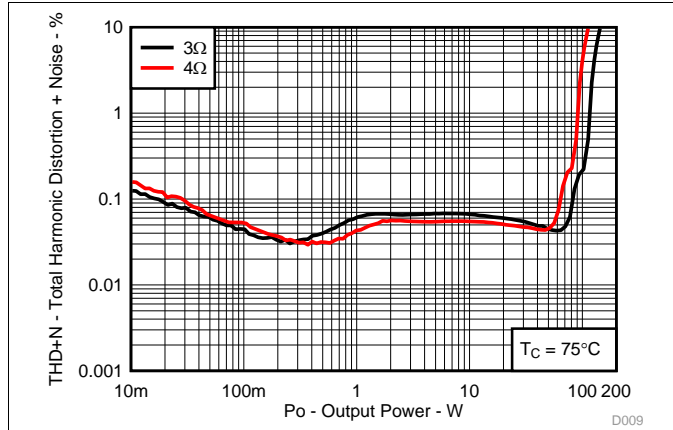


Figure 14. Total Harmonic Distortion + Noise vs Output Power

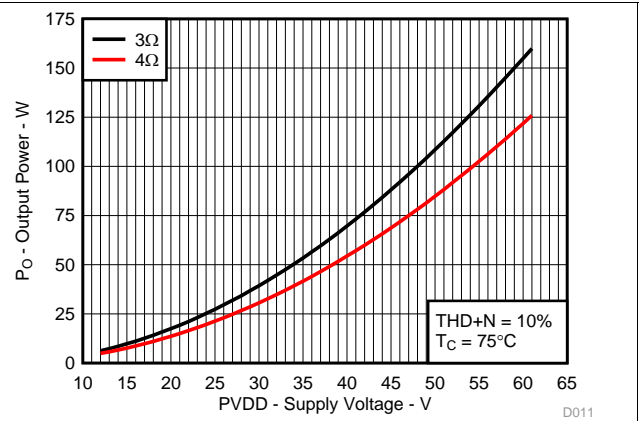


Figure 15. Output Power vs Supply Voltage

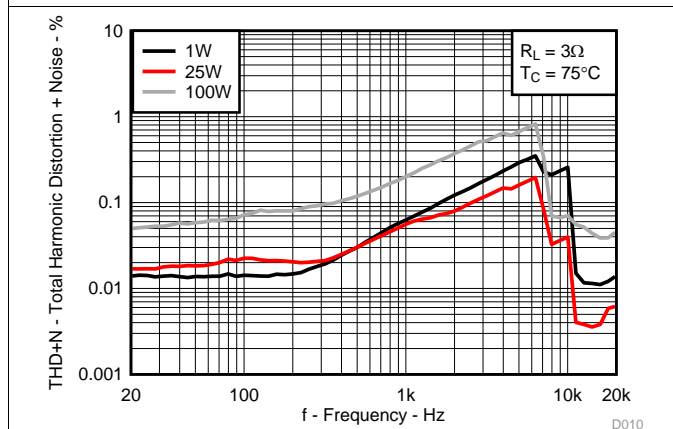


Figure 16. Total Harmonic Distortion + Noise vs Frequency

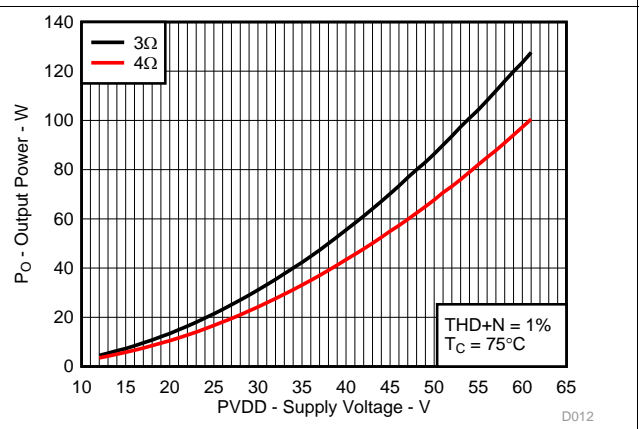


Figure 17. Output Power vs Supply Voltage

SE Configuration (continued)

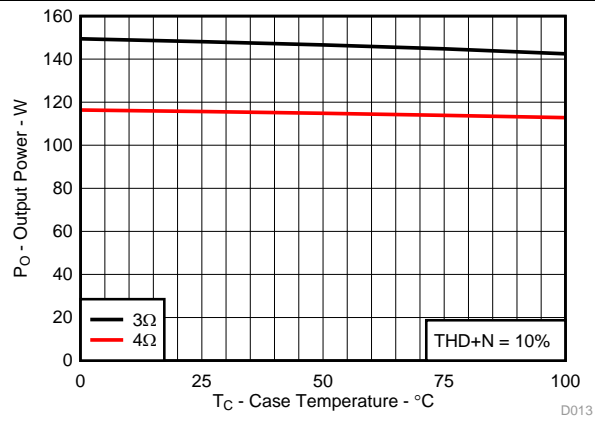


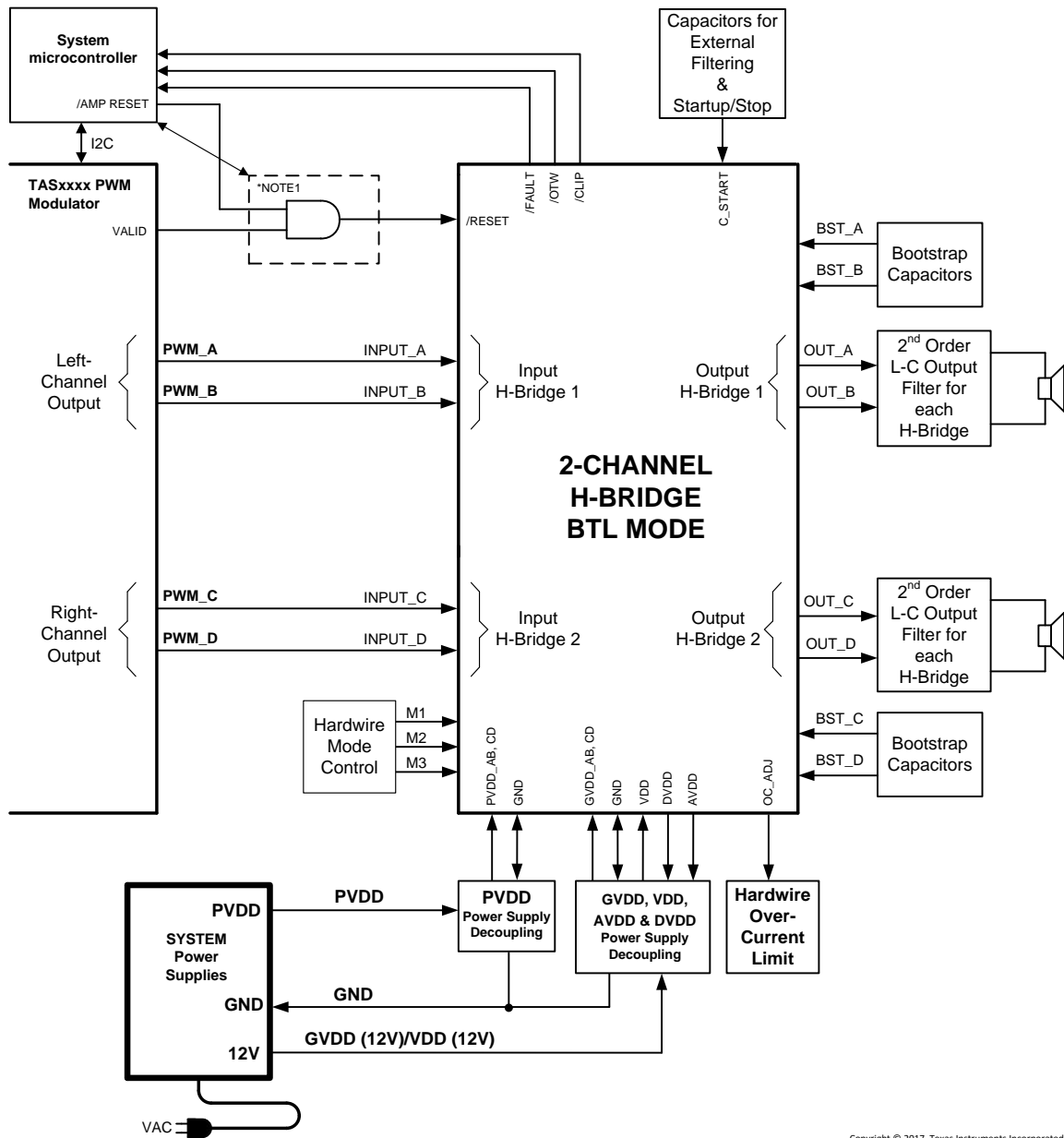
Figure 18. Output Power vs Case Temperature

8 Detailed Description

8.1 Overview

The TAS5634 is a PWM Input, Class-D Audio amplifier power stage that can be paired with TI digital-input PWM modulator like the TAS5548 or TAS5558. The TAS5634 supports up to 58V on the output stage power supply (PVDD) to deliver up to 2 x 300 W (6Ω) or 1 x 600 W (3Ω) for higher impedance loads. The output of the TAS5634 can be configured in single-ended (SE), bridge-tied load (BTL) or parallel bridge-tied load (PBTL) output, which supports 4-channels, stereo, or mono, respectively. It requires two power supply rails for operation, PVDD for the output power stage and 12 V for the gate drive (GVDD) and internal circuitry (VDD). [Figure 19](#) shows typical connections for BTL outputs. A detailed schematic can be viewed in TAS5634EVM User's Guide.

8.2 Functional Block Diagrams



*NOTE1: Logic AND in or outside microcontroller

Copyright © 2017, Texas Instruments Incorporated

(1) Logic AND is inside or outside the micro processor.

Figure 19. Typical System Block Diagram

Functional Block Diagrams (continued)

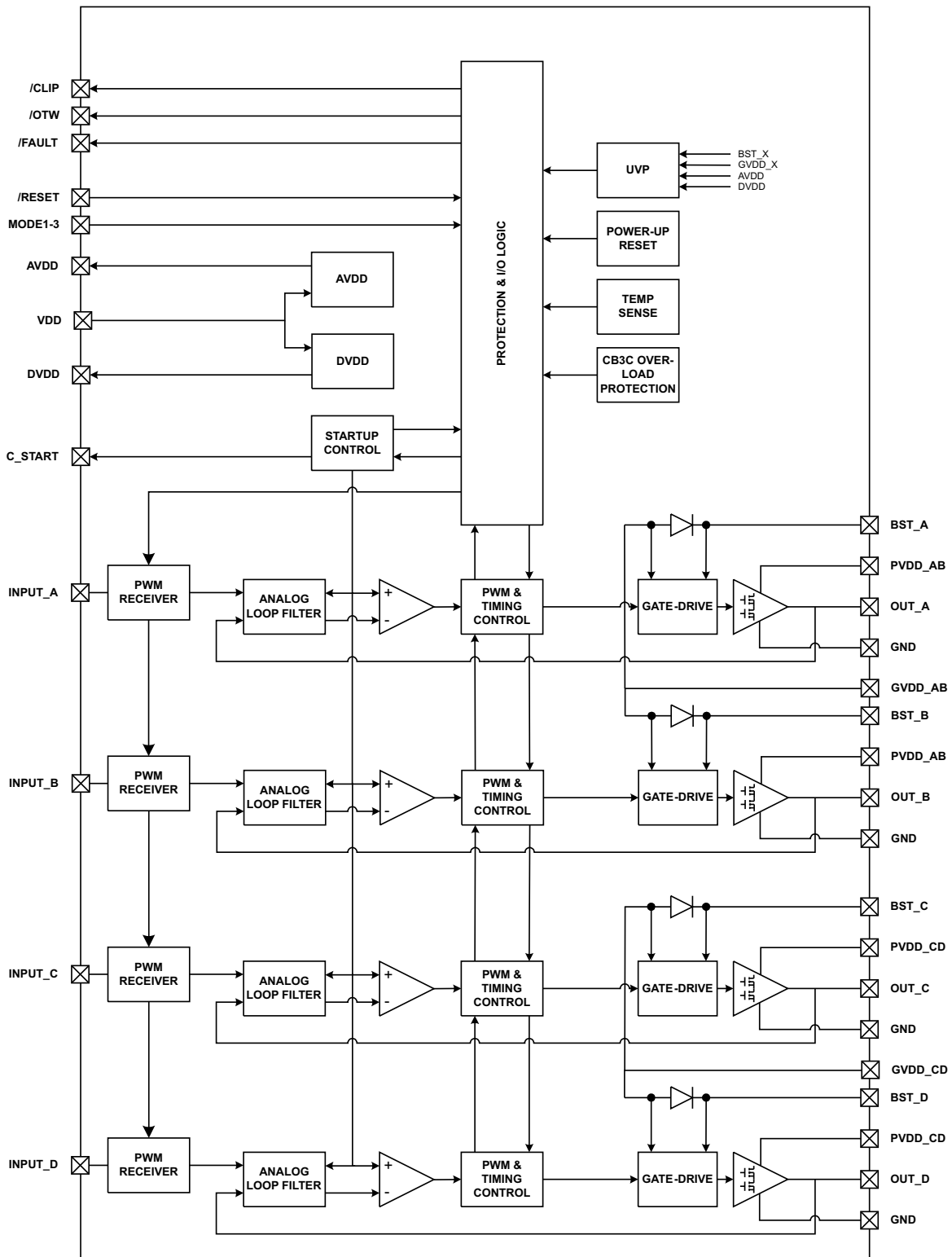


Figure 20. Functional Block Diagram

8.3 Feature Description

8.3.1 Closed-Loop Architecture

The TAS5634 is designed with closed-loop feedback to reduce noise and eliminate distortion caused by the power supply and output stage FETs. The integrated closed-loop architecture makes it simple and easy to convert from an audio digital source directly to power delivery in one step while maintaining great performance.

8.3.2 Power Supplies

The TAS5634 requires only two supplies for normal operation including a high-voltage output stage supply, PVDD, and a lower voltage 12V voltage supply for gate drive and low-voltage analog and digital circuits. Two internal regulators provide voltage regulation for the digital (DVDD) and analog (AVDD) circuit using the 12V VDD voltage supply. Additionally, an integrated bootstrap (floating) supply provides the necessary voltage for the high-side MOSFETs for each half-bridge.

To provide the best electrical and acoustical characteristics, the PWM signal path including gate drive and output stage are designed as identical, independent half-bridges. For this reason, each half-bridge has separate bootstrap pins (BST_X) and each full-bridge has separate power stage supply (PVDD_X) and gate supply (GVDD_X) pins.

Special attention should be paid to the power-stage power supply; this includes component selection, PCB placement, and routing. As indicated, each full-bridge has independent power-stage supply pins (PVDD_X). For optimal electrical performance, EMI compliance, and system reliability, it is important that each PVDD_X connection is decoupled with a minimum of 470 nF ceramic capacitance and placed as close as possible to each supply pin. It is recommended to follow the PCB layout of the TAS5634 reference design. For additional information on recommended power supply and required components, see the application diagrams in this data sheet.

The power-supply sequence is not critical because of the internal power-on-reset circuit. The TAS5634 is fully protected against erroneous power-stage turn on due to parasitic gate charging when power supplies are applied. Thus, voltage-supply ramp rates (dV/dt) are non-critical within the specified range (see the [Recommended Operating Conditions](#) table of this data sheet).

8.3.2.1 BST, Bootstrap Supply

The TAS5634 uses bootstrap circuits to properly turn on the high-side MOSFETs. A small ceramic capacitor must be connected from each bootstrap pin (BST_X) to the power-stage output pin (OUT_X). When the power-stage output is low, the bootstrap capacitor is charged through an internal diode connected between the gate-drive power-supply pin (GVDD_X) and the bootstrap pin (BST_X). When the power-stage output is high, the bootstrap capacitor potential is shifted above the output potential and thus provides a suitable voltage supply for the high-side gate driver. In an application with PWM switching frequencies in the range from 352kHz to 500 kHz, it is recommended to use 33 nF ceramic capacitors, size 0603 or 0805, for the bootstrap supply. These 33-nF capacitors ensure sufficient energy storage, even during minimal PWM duty cycles, to keep the high-side power stage MOSFETs fully turned on during the remaining part of the PWM cycle.

8.3.2.2 PVDD, Output Stage Power Supply

The PVDD_x voltage pins supply the high voltage and current needed for driving the speaker load.

1. Place at least 1 μF decoupling capacitance as close as possible to each supply pin, PVDD_AB and PVDD_CD. TI recommends to use ceramic capacitors, which have low series resistance (ESR). The decoupling capacitors provide current each output stage switch cycle.
2. Add a minimum of 470 μF bulk capacitance to each PVDD_x pin. More capacitance may be required if the power supply has low bandwidth or does not respond quickly to transients.
3. Minimize trace lengths between decoupling and bulk capacitance to reduce inductance between the TAS5634 and the supply capacitors.

8.3.2.3 GVDD, Gate-Drive Power Supply

The GVDD_x, 12 V power supply is required for the gate-drive section of the TAS5634. Place a minimum of 100 nF decoupling capacitor near each GVDD_x pin. For best audio performance, place a total of 10 μF bulk capacitance on the 12V power supply.

Feature Description (continued)

8.3.2.4 VDD Supply, Internal Regulators (DVDD and AVDD)

The TAS5634 has two internal regulators, which are used to power the low voltage digital (DVDD) and analog (AVDD) circuitry. The 12V VDD pin can be supplied from the same power supply as GVDD_x. For best audio performance, separate VDD from GVDD_AB and GVDD_CD using RC filters. The RC filters will provide high-frequency isolation and minimize the amount of switching noise on DVDD and AVDD.

8.3.3 System Power-Up / Power-Down Sequence

8.3.3.1 Powering Up

The TAS5634 does not require a power-up sequence. The outputs of the H-bridges remain in a high-impedance state until the gate-drive supply voltage (GVDD_X) and VDD voltage are above the undervoltage protection (UVP) voltage threshold (see the [Electrical Characteristics](#) table of this data sheet). Although not specifically required, it is recommended to hold $\overline{\text{RESET}}$ in a low state while powering up the device. This allows an internal circuit to charge the external bootstrap capacitors by enabling a weak pulldown of the half-bridge output.

8.3.3.2 Powering Down

The TAS5634 does not require a power-down sequence. The device remains fully operational as long as the gate-drive supply (GVDD_X) voltage and VDD voltage are above the undervoltage protection (UVP) voltage threshold (see the [Electrical Characteristics](#) table of this data sheet). Although not specifically required, it is a good practice to hold $\overline{\text{RESET}}$ low during power down, thus preventing audible artifacts including pops or clicks.

8.3.4 Startup and Shutdown Ramp Sequence (C_START)

The integrated startup and stop sequence ensures a click and pop free startup and shutdown sequence of the amplifier. The startup sequence uses a voltage ramp with a duration set by the CSTART capacitor. The sequence uses the input PWM signals to generate output PWM signals, hence input idle PWM should be present during both startup and shut down ramping sequences.

VDD, GVDD_X and PVDD_X power supplies must be turned on and with settled outputs before starting the startup ramp by setting $\overline{\text{RESET}}$ high.

During startup and shutdown ramp the input PWM signals should be in muted condition with the PWM processor noise shaper activity turned off (50% duty cycle).

The duration of the startup and shutdown ramp is $100 \text{ ms} + X \text{ ms}$, where X is the CSTART capacitor value in nF. It is recommended to use 330 nF CSTART in BTL and PBTL mode and 1 μF in SE mode configuration. This results in ramp times of 430 ms and 1.1 s respectively. The longer ramp time in SE configuration allows charge and discharge of the output AC coupling capacitor without audible artifacts. See the [Table 1 Mode Selection Pins](#) for a complete list of recommended C_START values.

Feature Description (continued)

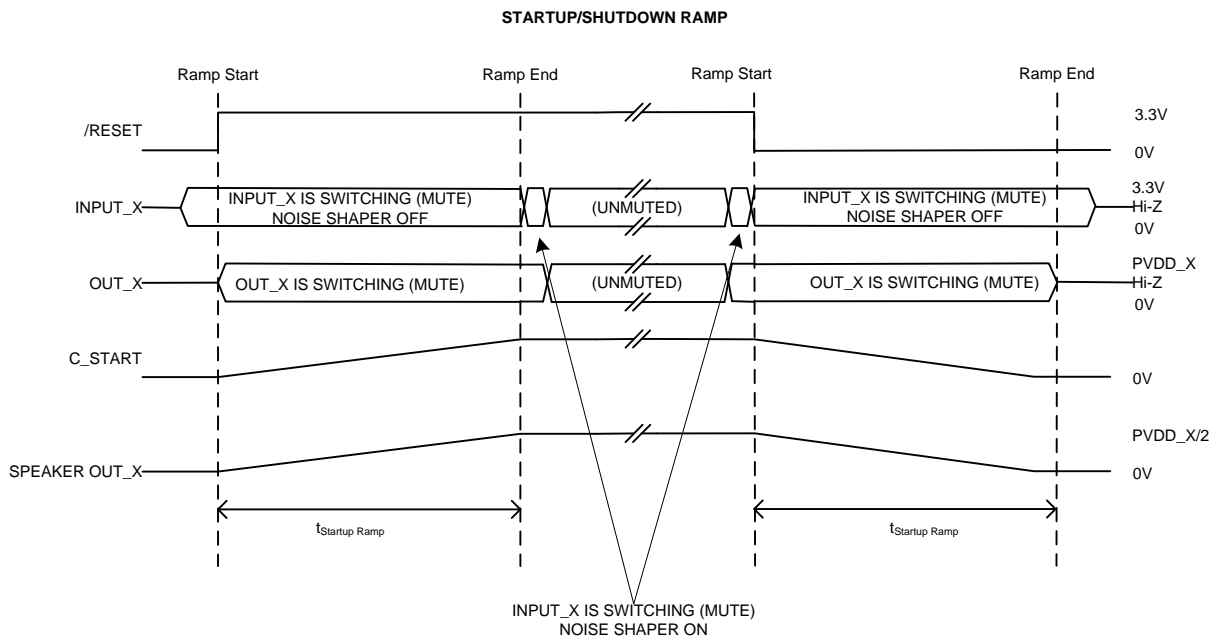


Figure 21. Start-Up and Shutdown Ramp

8.3.5 Device Protection System

The TAS5634 contains advanced protection circuitry carefully designed to facilitate system integration and ease of use, as well as to safeguard the device from permanent failure due to a wide range of fault conditions such as short circuits, overload, overtemperature, and undervoltage. The TAS5634 responds to a fault by immediately setting the power stage in a high-impedance (Hi-Z) state and asserting the FAULT pin low. In situations other than overload and overtemperature error (OTE), the device automatically recovers when the fault condition has been removed, i.e., the supply voltage has increased.

The device will function on errors, as shown in the following table.

Table 2. Device Protection

BTL Mode		SE Mode	
Channel Fault	Turns Off	Channel Fault	Turns Off
A	A+B	A	A+B
B		B	
C	C+D	C	C+D
D		D	

Bootstrap UVP does not shutdown according to the table, it shuts down the respective high-side FET.

8.3.6 Overload and Short Circuit Current Protection

TAS5634 has fast reacting current sensors with a programmable trip threshold (OC threshold) on all high-side and low-side FETs. To prevent output current to increase beyond the programmed threshold, TAS5634 has the option of either limiting the output current for each switching cycle (Cycle By Cycle Current Control, CB3C) or to perform an immediate shutdown of the output in case of excess output current (Latching Shutdown). CB3C prevents premature shutdown due to high output current transients caused by high level music transients and a drop of real speaker's load impedance, and will allow the output current to be limited to a maximum programmed level. If the maximum output current persists, i.e. the power stage being overloaded with too low load impedance, the device will shut down the affected output channel and the affected output will be put in a high-impedance (Hi-Z) state until a /RESET cycle is initiated. CB3C works individually for each half bridge output. If an over current event is triggered, CB3C will perform a state flip of the half bridge output that will be cleared upon beginning of next PWM frame.

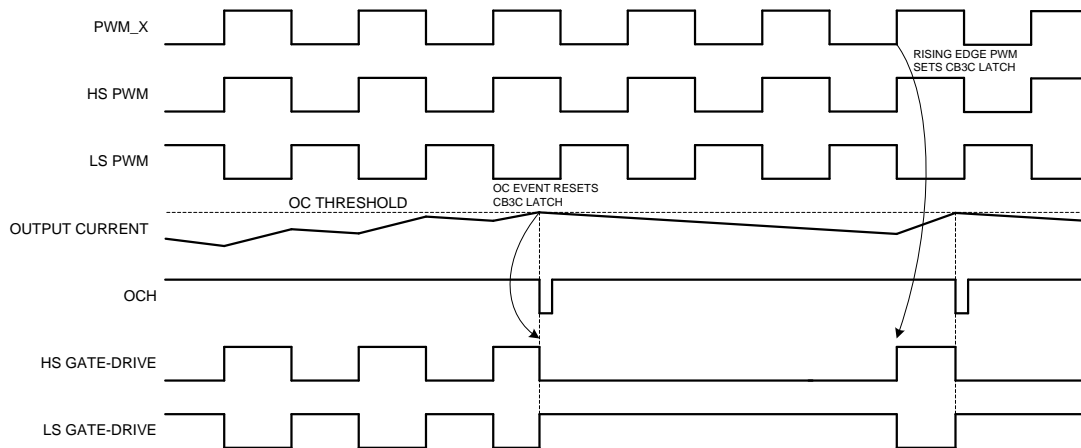


Figure 22. CB3C Timing Example

During CB3C an over load counter will increment for each over current event and decrease for each non-over current PWM cycle. This allows full amplitude transients into a low speaker impedance without a shutdown protection action. In case of a short circuit condition, the over current protection will limit the output current by the CB3C operation and eventually shut down the affected output if the overload counter reaches its maximum value. If a latched OC operation is required such that the device will shut down the affected output immediately upon first detected over current event, this protection mode should be selected.

The over current threshold and mode (CB3C or Latched OC) is programmed by the OC_ADJ resistor value. The OC_ADJ resistor needs to be within its intentional value range for either CB3C operation or Latched OC operation.

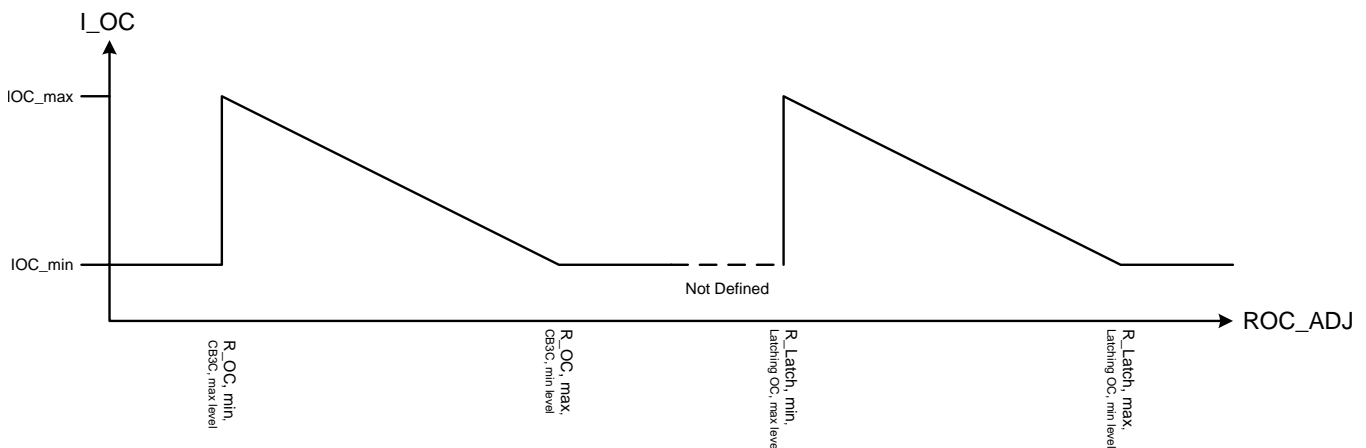


Figure 23. OC Threshold versus OC_ADJ Resistor Value Example

Table 3. OC_ADJ Resistor Value for OC Threshold

OC_ADJ Resistor Value	Protection Mode	OC Threshold
24 kΩ	CB3C	15.5 A
27 kΩ (Typ)	CB3C	14 A
30 kΩ	CB3C	13 A
33 kΩ	CB3C	12 A
47 kΩ	Latched OC	15.5 A
56 kΩ (Typ)	Latched OC	14 A
68 kΩ	Latched OC	13 A
62 kΩ	Latched OC	12 A

TI recommends to use a 27kΩ (CB3C) or 56kΩ (Latched) overcurrent adjust resistor value for typical applications. When using 24 kΩ (CB3C) or 47 kΩ (Latched) OC_ADJ resistor values, layout is critical for device reliability due to increased current during overcurrent events. Please carefully follow the guidelines in section [Printed Circuit Board Requirements](#) and only use these resistor values if required to deliver the desired power to the load.

8.3.7 DC Speaker Protection

The output DC protection scheme protects a connected speaker from excess DC current caused by a speaker wire accidentally shorted to chassis ground. Such short circuit would result in a DC voltage of PVDD/2 across the speaker, which potentially can result in destructive current levels. The output DC protection detects any unbalance of the output and input current of a BTL output, and in case of the unbalance exceeding a programmed threshold, the overload counter will increment until its maximum value and the affected output channel will be shut down. Output DC protection is designed for use in BTL configuration with AD mode modulation, and should be disabled if BD mode operation is used due to the output filter inductors' ripple currents being in phase in BD mode and will thus be counted as an unbalanced current. DC Speaker Protection can be disabled for BTL operation with BD mode modulation, see Mode Setup Table for configuration.

8.3.8 Pin-To-Pin Short Circuit Protection (PPSC)

The PPSC detection system protects the device from permanent damage if a power output pin (OUT_X) is shorted to GND or PVDD_X. For comparison, the OC protection system detects an over current after the demodulation filter where PPSC detects shorts directly at the pin before the filter. PPSC detection is performed at startup i.e. when VDD is supplied, consequently a short to either GND or PVDD_X after system startup will not activate the PPSC detection system. When PPSC detection is activated by a short on the output, all half bridges are kept in a Hi-Z state until the short is removed, the device then continues the startup sequence and starts switching. The detection is controlled globally by a two step sequence. The first step ensures that there are no shorts from OUT_X to GND, the second step tests that there are no shorts from OUT_X to PVDD_X. The total duration of this process is roughly proportional to the capacitance of the output LC filter. The typical duration is <math><15\text{ ms}/\mu\text{F}</math>. While the PPSC detection is in progress, $\overline{\text{FAULT}}$ is kept low, and the device will not react to changes applied to the $\overline{\text{RESET}}$ pins. If no shorts are present the PPSC detection passes, and $\overline{\text{FAULT}}$ is released. A device reset will not start a new PPSC detection. PPSC detection is enabled in BTL output configuration, the detection is not performed in SE mode. To make sure not to trip the PPSC detection system it is recommended not to insert resistive load to GND or PVDD_X.

8.3.9 Overtemperature Protection

The TAS5634 has a two-level temperature-protection system that asserts an active-low warning signal ($\overline{\text{OTW}}$) when the device junction temperature exceeds 125°C (typical). If the device junction temperature exceeds 155°C (typical), the device is put into thermal shutdown, resulting in all half-bridge outputs being set in the high-impedance (Hi-Z) state and $\overline{\text{FAULT}}$ being asserted low. OTE is latched in this case. To clear the OTE latch, $\overline{\text{RESET}}$ must be asserted. Thereafter, the device resumes normal operation.

8.3.10 Overtemperature Warning, $\overline{\text{OTW}}$

The over temperature warning $\overline{\text{OTW}}$ asserts when the junction temperature has exceeded recommended operating temperature. Operation at junction temperatures above $\overline{\text{OTW}}$ threshold is exceeding recommended operation conditions and is strongly advised to avoid.

If \overline{OTW} asserts, action should be taken to reduce power dissipation to allow junction temperature to decrease until it gets below the \overline{OTW} hysteresis threshold. This action can be decreasing audio volume or turning on a system cooling fan.

8.3.11 Undervoltage Protection (UVP) and Power-On Reset (POR)

The UVP and POR circuits of the TAS5634 fully protect the device in any power-up/down and brownout situation. While powering up, the POR circuit resets the overload circuit (OLP) and ensures that all circuits are fully operational when the GVDD_X and VDD supply voltages reach stated in the [Electrical Characteristics](#) table. Although GVDD_X and VDD are independently monitored, a supply voltage drop below the UVP threshold on any VDD or GVDD_X pin results in all half-bridge outputs immediately being set in the high-impedance (Hi-Z) state and \overline{FAULT} being asserted low. The device automatically resumes operation when all supply voltages have increased above the UVP threshold.

8.3.12 Error Reporting

Note that asserting \overline{RESET} low forces the \overline{FAULT} signal high, independent of faults being present. TI recommends monitoring the \overline{OTW} signal using the system micro controller and responding to an overtemperature warning signal by, e.g., turning down the volume to prevent further heating of the device resulting in device shutdown (OTE).

To reduce external component count, an internal pullup resistor to 3.3 V is provided on \overline{FAULT} , \overline{CLIP} , and \overline{OTW} outputs. See [Electrical Characteristics](#) table for actual values.

The \overline{FAULT} , \overline{OTW} , pins are active-low, open-drain outputs. Their function is for protection-mode signaling to a PWM controller or other system-control device.

Any fault resulting in device shutdown is signaled by the \overline{FAULT} pin going low. Likewise, \overline{OTW} goes low when the device junction temperature exceeds 125°C (see [Table 4](#)).

Table 4. Error Reporting

\overline{FAULT}	\overline{OTW}	DESCRIPTION
0	0	Overtemperature (OTE) or overload (OLP) or undervoltage (UVP)
0	1	Overload (OLP) or undervoltage (UVP)
1	0	Junction temperature higher than 125°C (overtemperature warning)
1	1	Junction temperature lower than 125°C and no OLP or UVP faults (normal operation)

8.3.13 Fault Handling

If a fault situation occurs while in operation, the device will act accordingly to the fault being a global or a channel fault. A global fault is a chip-wide fault situation and will cause all PWM activity of the device to be shut down, and will assert $\overline{\text{FAULT}}$ low. A global fault is a latching fault and clearing $\overline{\text{FAULT}}$ and restart operation requires resetting the device by toggling $\overline{\text{RESET}}$. Toggling $\overline{\text{RESET}}$ should never be allowed with excessive system temperature, so it is advised to monitor $\overline{\text{RESET}}$ by a system microcontroller and only allow releasing $\overline{\text{RESET}}$ ($\overline{\text{RESET}}$ high) if the $\overline{\text{OTW}}$ signal is cleared (high). A channel fault will result in shutdown of the PWM activity of the affected channel(s). Note that asserting $\overline{\text{RESET}}$ low forces the $\overline{\text{FAULT}}$ signal high, independent of faults being present. TI recommends monitoring the $\overline{\text{OTW}}$ signal using the system micro controller and responding to an over temperature warning signal by, that is, turning down the volume to prevent further heating of the device resulting in device shutdown (OTE).

Table 5. Fault Handling

Fault/Event	Fault/Event Description	Global or Channel	Reporting Method	Latched/Self Clearing	Action needed to Clear	Output FETs
PVDD_X UVP	Voltage Fault	Global	$\overline{\text{FAULT}}$ Pin	Self Clearing	Increase affected supply voltage	Hi-Z
VDD UVP						
GVDD_X UVP						
AVDD UVP						
POR (DVDD UVP)	Power On Reset	Global	$\overline{\text{FAULT}}$ Pin	Self Clearing	Allow DVDD to rise	H-Z
BST UVP	Voltage Fault	Channel (half bridge)	None	Self Clearing	Allow BST cap to recharge (lowside on, VDD 12V)	High-side Off
OTW	Thermal Warning	Global	$\overline{\text{OTW}}$ Pin	Self Clearing	Cool below lower OTW threshold	Normal operation
OTE (OTSD)	Thermal Shutdown	Global	$\overline{\text{FAULT}}$ Pin	Latched	Toggle $\overline{\text{RESET}}$	Hi-Z
OLP (CB3C >2.6 ms)	OC shutdown	Channel	$\overline{\text{FAULT}}$ Pin	Latched	Toggle $\overline{\text{RESET}}$	Hi-Z
Latched OC (ROC > 47 k)	OC shutdown	Channel	$\overline{\text{FAULT}}$ Pin	Latched	Toggle $\overline{\text{RESET}}$	Hi-Z
CB3C (24k < ROC < 33k)	OC Limiting	Channel	None	Self Clearing	Reduce signal level or remove short	Flip state, cycle by cycle at fs/2
Stuck at Fault ⁽¹⁾ (1 to 3 channels)	No PWM	Channel	None	Self Clearing	Resume PWM	Hi-Z
Stuck at Fault ⁽¹⁾ (All channels)	No PWM	Global	None	Self Clearing	Resume PWM	Hi-Z

(1) Stuck at Fault occurs when input PWM drops below minimum PWM frame rate given in the [Recommended Operating Conditions](#) table of this data sheet.

8.3.14 System Design Consideration

A rising-edge transition on $\overline{\text{RESET}}$ input allows the device to execute the startup sequence and starts switching.

Apply audio only according to the timing information for startup and shutdown sequence. That will start and stop the amplifier without audible artifacts in the output transducers.

The $\overline{\text{CLIP}}$ signal indicates that the output is approaching clipping (when output PWM starts skipping pulses due to loop filter saturation). The signal can be used to initiate an audio volume decrease or to adjust the power supply rail.

The device inverts the audio signal from input to output.

The DVDD and AVDD pins are not recommended to be used as a voltage source for external circuitry.

8.4 Device Functional Modes

There are three main output modes supported on the TAS5634 including stereo BTL mode, mono PBTL mode and 4-channel single-ended mode. In addition, a combination of one BTL channel and two SE channels for a 2.1 system can also be selected. The device supports two PWM modulation modes, AD and BD. AD modulation mode supports single-ended (SE) or differential PWM inputs. AD modulation can also be configured to have SE, BTL, BTL + SE, or PBTL outputs. BD modulation requires differential PWM inputs. BD modulation can only be configured in BTL or PBTL mode.

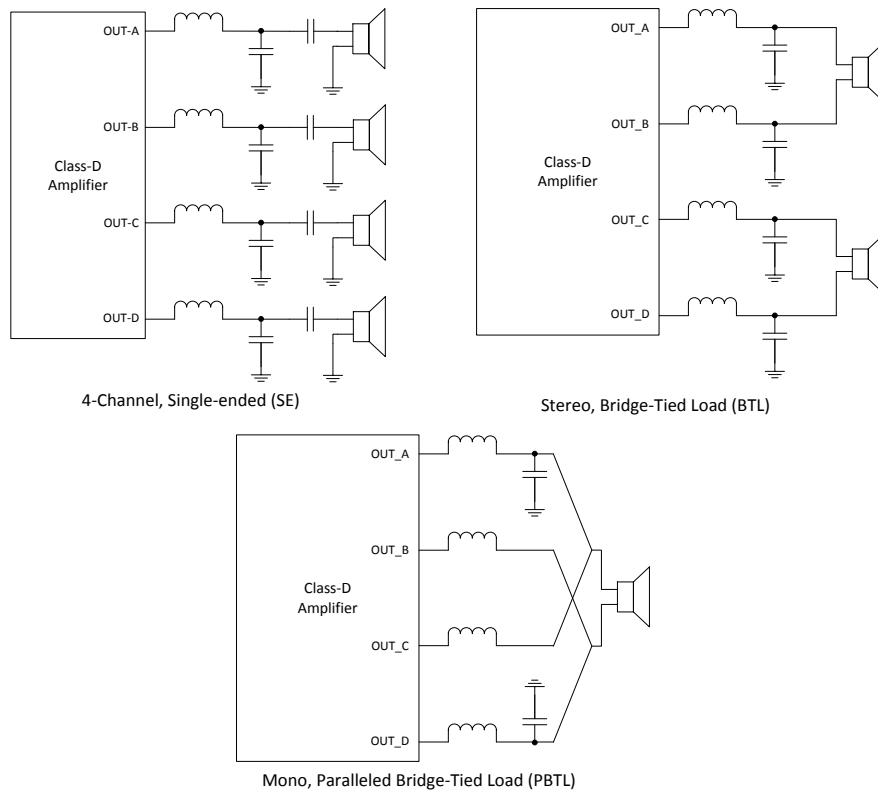


Figure 24. Device Functional Modes Configurations

8.4.1 Stereo, Bridge-tied Load (BTL)

In bridge-tied load (BTL) mode, the device operates as a 2-channel, stereo amplifier. BTL uses two of the output stage half-bridges to product up to twice PVDD across the load. BTL mode has a few configuration options:

- AD or BD Modulation
- Single-ended (AD) or Differential Input (AD or BD)
- DC Speaker Protection in AD modulation mode

When using the singled-ended input configuration, the input signal is converted to a differential signal to drive the output stage of the TAS5634.

See [Table 1. Mode Selection Pins](#) for the appropriate pin configurations and section [Typical BTL Application](#) for specific application setup information.

8.4.2 Mono, Paralleled Bridge-tied Load (PBTL)

In parallel bridge-tied load (PBTL) mode, the device operates as a 1-channel, mono amplifier. PBTL is typically used for 3 Ω and 4 Ω impedances delivering up to twice the current compared with the BTL configuration. PBTL configuration options include:

- AD or BD Modulation
- Single-ended (AD) or Differential Input (AD or BD)
- DC Speaker Protection in AD modulation mode

Device Functional Modes (continued)

When using the single-ended input configuration, the single-ended input signal is converted to a differential signal to drive the output stage of the TAS5634.

See [Table 1. Mode Selection Pins](#) for the appropriate pin configurations and section [Typical PBTL Application](#) for specific application setup information.

8.4.3 4-Channel, Single-ended (SE)

In single-ended (SE) mode, the device operates as a 4-channel amplifier. Each output, OUT_A, OUT_B, OUT_C and OUT_D act as independent channels. Single-ended mode only supports AD mode and single-ended input. See [Table 1. Mode Selection Pins](#) for the appropriate pin configurations and section [Typical SE Application](#) for specific application setup information.

8.4.4 BD Modulation

The TAS5634 supports BD mode modulation. See [table Mode Selection Pins](#) to configure the device mode pins for BD mode modulation. BD mode requires a PWM modulator, like the TAS5548, to provide two BD modulated PWM signals to the inputs of the TAS5634. Note that DC Speaker Protection is disabled in BD mode operation.

[Figure 25](#) shows example BD modulation waveforms at idle, positive output, and negative output.

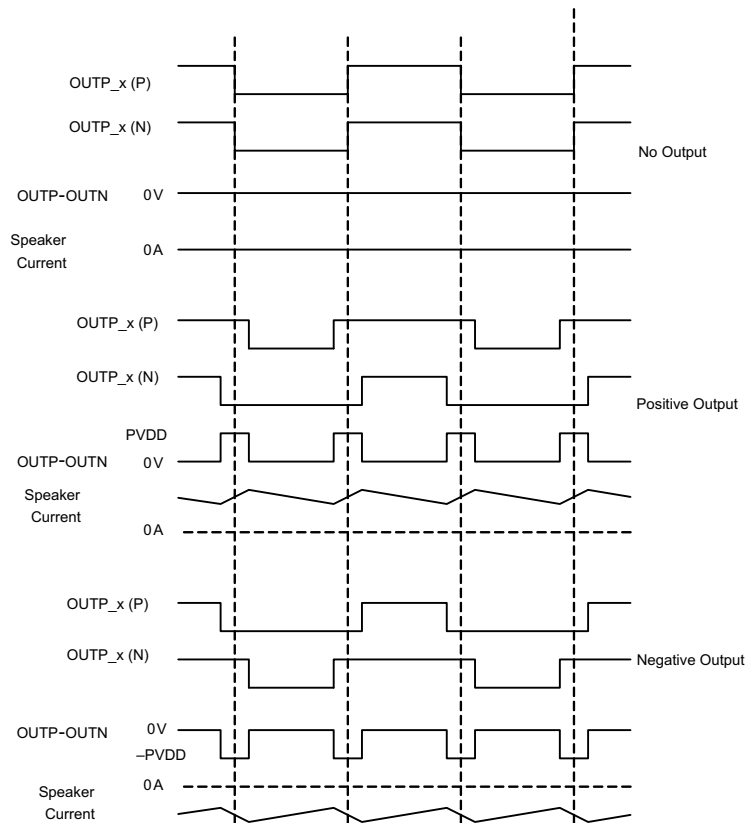


Figure 25. BD Modulation Switching Waveforms

8.4.5 Device Reset

When $\overline{\text{RESET}}$ is asserted low, all power-stage FETs in the four half-bridges are forced into a high-impedance (Hi-Z) state.

Device Functional Modes (continued)

In BTL modes, to accommodate bootstrap charging prior to switching start, asserting the reset input low enables weak pulldown of the half-bridge outputs. In the SE mode, the output is forced into a high impedance state when asserting the reset input low. Asserting reset input low removes any fault information to be signaled on the FAULT output, i.e., FAULT is forced high. A rising-edge transition on reset input allows the device to resume operation after an overload fault. To ensure thermal reliability, the rising edge of RESET must occur no sooner than 4 ms after the falling edge of FAULT.

8.4.6 Unused Output Channels

If any output channels are unused, it is recommended to disable switching of unused output nodes to reduce power consumption. Furthermore by disabling unused output channels the cost of unused output LC demodulation filters can be avoided.

Disable a channel by leaving the bootstrap capacitor (BST) unpopulated and connecting the respective input to GND. The unused output pin(s) can be left floating. Please note that the PVDD decoupling capacitors still need to be populated.

Table 6. Unused Output Channels

Operating Mode	PWM Input	Output Configuration	Unused Channel	INPUT_A	INPUT_B	INPUT_C	INPUT_D	Unpopulated Component(s)
000	2N	2 x BTL	AB CD	GND PWMA	GND PWMb	PWMc GND	PWMd GND	BST_A & BST_B capacitor BST_C & BST_D capacitor
001	1N							
010	2N							
101	1N	4 x SE	A	GND	PWMb	PWMc	PWMd	BST_A capacitor
			B	PWMA	GND	PWMc	PWMd	BST_B capacitor
			C	PWMA	PWMb	GND	PWMd	BST_C capacitor
			D	PWMA	PWMb	PWMc	GND	BST_D capacitor

9 Application and Implementation

NOTE

Information in the following applications sections is not part of the TI component specification, and TI does not warrant its accuracy or completeness. TI's customers are responsible for determining suitability of components for their purposes. Customers should validate and test their design implementation to confirm system functionality.

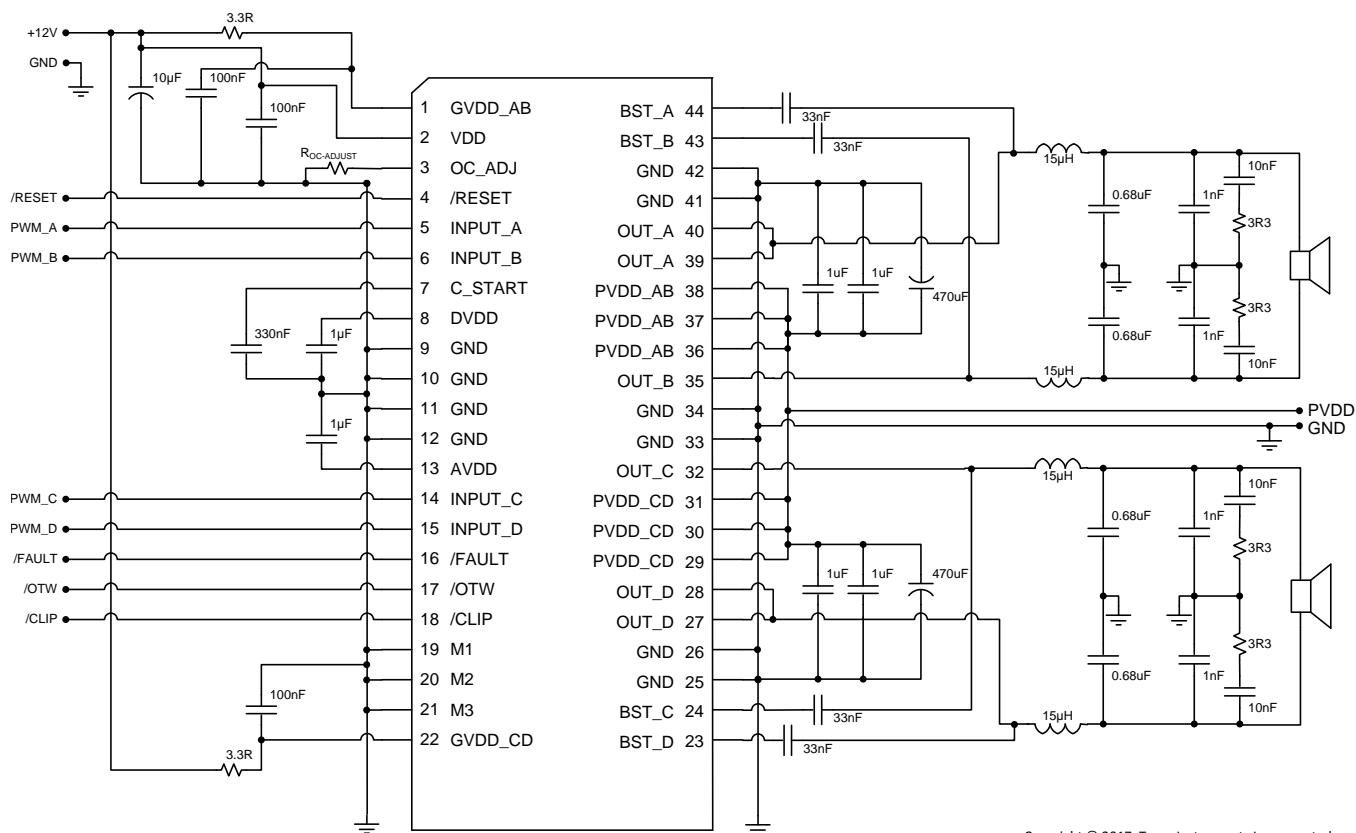
9.1 Application Information

These typical connection diagrams highlight the required external components and system level connections for proper operation of the device in several common use cases. Each of these configurations can be tested using the TAS5634EVM. Please contact TI through TI.com or by visiting the TI E2E Forum at www.e2e.ti.com for design assistance and join the audio amplifier discussion forum for additional information.

9.2 Typical Applications

9.2.1 Typical BTL Application

See Figure 26 for application schematic. In this application, differential PWM inputs are used with AD modulation from the PWM modulator (TAS5558). AD modulation scheme is defined as PWM(+) as opposite polarity from PWM(-).



Copyright © 2017, Texas Instruments Incorporated

Figure 26. Typical Differential (2N) BTL Application

Typical Applications (continued)

9.2.1.1 Design Requirements

For this design example, us the values shown in [Table 7](#).

Table 7. BTL Design Requirements

PARAMETERS	VALUES
PVDD Supply Voltage	12 V to 58 V
GVDD and VDD Voltage	12 V
Device Configuration	AD Modulation, Differential Input
Mode Pins	M3 = GND, M2 = GND, M1 = GND
INPUT_A	PWM_1+
INPUT_B	PWM_1-
INPUT_C	PWM_2+
INPUT_D	PWM_2-
PWM modulator	TAS5548
Output filters	Inductor: 15 μ H, Capacitor: 0.68 μ F
Speaker	6 Ω minimum
C_START Capacitor	330 nF
OC_ADJ Resistor	27 k Ω (14 A per channel, Cycle-by-cycle Current Limit)

9.2.1.2 Detailed Design Procedure

- Follow the recommended component placement, layout and routing guidelines shown in the [Layout Example](#) section.
- The most critical section of the circuit is the power supply pins, the amplifier output signals and the high frequency signals.
- For specific application questions and support go to the TI E2E Forum at www.e2e.ti.com.

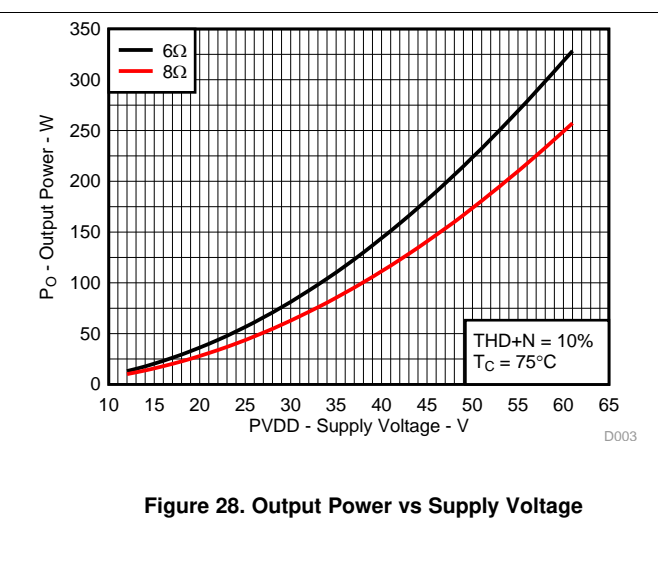
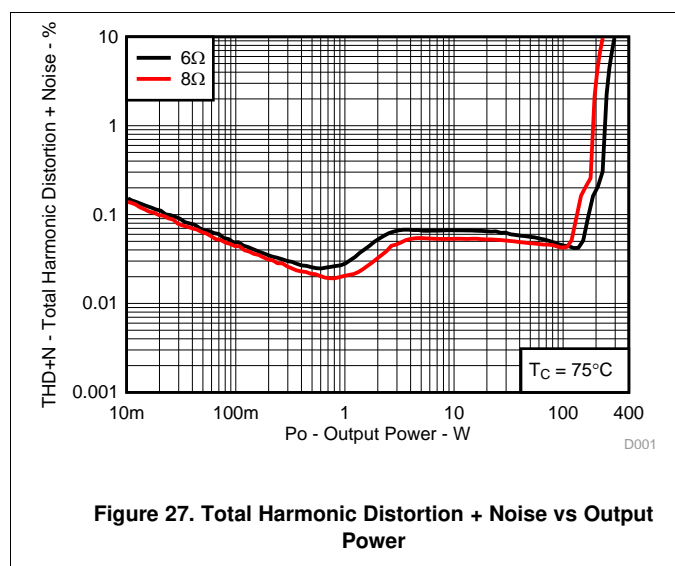
9.2.1.3 Pin Connections

- Pin 1 - GVDD_AB - The gate-drive voltage for half-bridges A and B. Place a 0.1- μ F decoupling capacitor placed near the pin.
- Pin 2 - VDD - The supply pin for internal voltage regulators AVDD and DVDD. Place a 10- μ F bulk capacitor and a 0.1- μ F decoupling capacitor near the pin.
- Pin 3 - R_{OC} - Programming resistor for the overcurrent (OC) threshold. Place a resistor to ground. See table [OC_ADJ Resistor Value for OC Threshold](#) for the appropriate resistor value.
- Pin 4 - $\overline{\text{RESET}}$ - Device reset. When asserted, output stage is Hi-Z and there is no PWM switching. This pin can be controlled by a switch, microcontroller or processor.
- Pins 5 and 6 - INPUT_A and INPUT_B - Differential PWM input pair for A and B BTL channel with signals provided by a PWM modulator such as the TAS5548.
- Pin 7 - C_START - Start-up ramp capacitor must be 330nF for BTL/PBTL or 1 μ F for SE configuration.
- Pin 8 - DVDD - Digital output supply pin is connected to 1- μ F decoupling capacitor
- Pins 9-12 - GND - Connect to board GND.
- Pin 13 - AVDD - Analog output supply pin. Connect a 1- μ F decoupling capacitor to device GND, pins 9-12.
- Pins 14 and 15 - INPUT_C and INPUT_D - Differential PWM input pair for C and D BTL channel with signals provided by a PWM modulator such as the TAS5548.
- Pin 16 - $\overline{\text{FAULT}}$ - Fault pin can be monitored by a microcontroller through GPIO pin. System can decide to assert reset or shutdown.
- Pin 17 - $\overline{\text{OTW}}$ - Overtemperature warning pin can be monitored by a microcontroller through a GPIO pin. System can decide to turn on fan or lower output power.
- Pin 18 - $\overline{\text{CLIP}}$ - Output clip indicator can be monitored by a microcontroller through a GPIO pin. System can decide to lower the volume.
- Pins 19-21 - M1, M2, M3 - Mode pins set the input and output configurations. For this configuration M1-M3

are grounded. These mode pins must be hardware configured and set before starting device. Do not adjust while TAS5634 is operating.

- Pin 22 - GVDD_CD - The gate-drive voltage for half-bridges C and D. Place a 0.1- μ F decoupling capacitor placed near the pin.
- Pins 23, 24, 43, 44 - BST_A, BST_B, BST_C, BST_D - Bootstrap pins for half-bridges A, B, C, and D. Connect 33 nF from this pin to corresponding output pins.
- Pins 25, 26, 33, 34, 41, 42 - GND - Connect to board ground and decoupling capacitors connected to PVDD_X.
- Pins 27, 28, 32, 35, 39, 40 - OUT_A, OUT_B, OUT_C, OUT_D - Output pins from half-bridges A, B, C, and D. Connect bootstrap capacitors and differential LC filter.
- Pins 29, 30, 31, 36, 37, 38 - PVDD_AB, PVDD_CD - Power supply pins to half-bridges A, B, C, and D. A and B form a full-bridge and C and D form another full-bridge. A 470- μ F bulk capacitor is recommended for each full-bridge power pins. Place one 1- μ F decoupling capacitor next to each pin.

9.2.1.4 Application Curves



9.2.2 Typical PBTL Configuration

Use the section [Detailed Design Procedure](#) in the Typical BTL Application section for a pin description and setup.

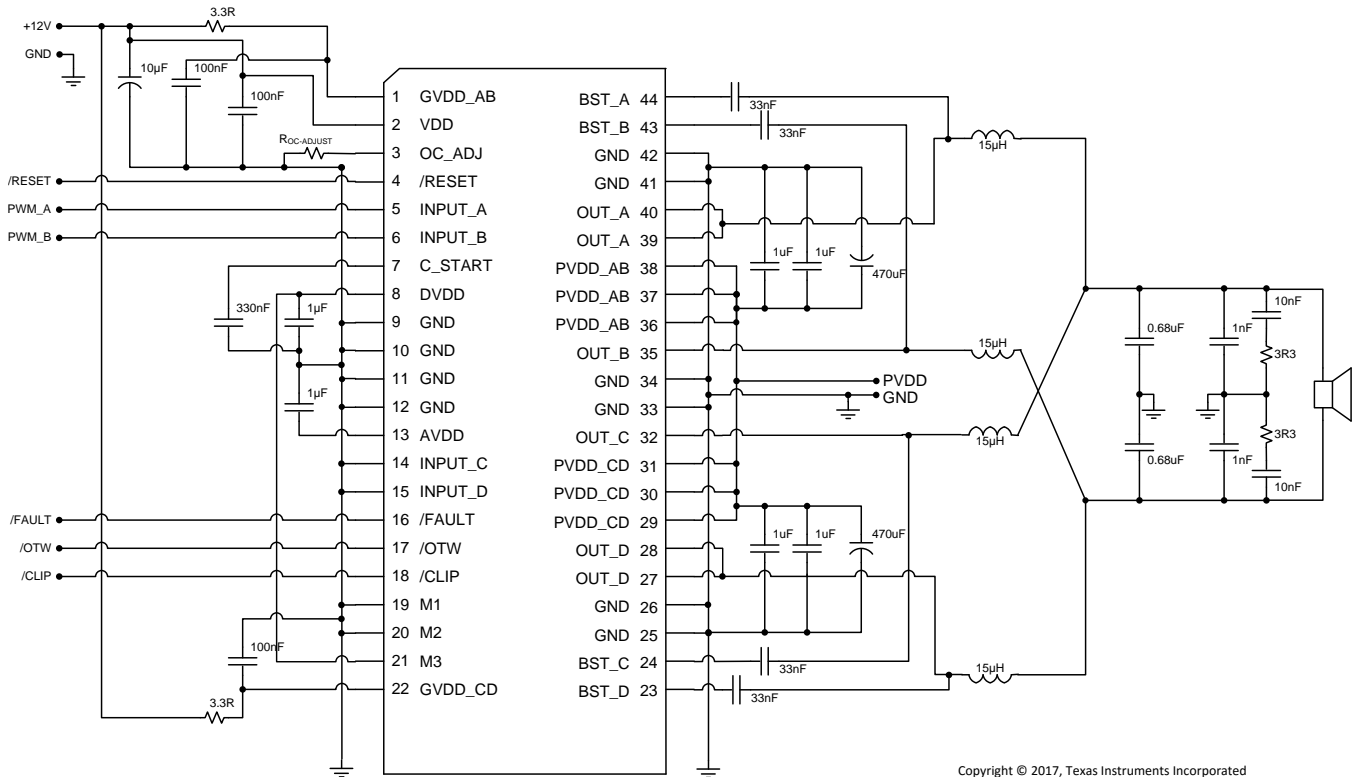


Figure 29. Typical Differential (2N) PBTL Application

Table 8. PBTL Design Requirements

PARAMETERS	VALUES
PVDD Supply Voltage	12 V to 58 V
GVDD and VDD Voltage	12 V
Device Configuration	AD Modulation, Differential Input
Mode Pins	M3 = DVDD, M2 = GND, M1 = GND
INPUT_A	PWM_A+
INPUT_B	PWM_A-
INPUT_C	GND
INPUT_D	GND
PWM modulator	TAS5548
Output filters	Inductor: 15 μH, Capacitor: 0.68 μF
Speaker	3 Ω minimum
C_START Capacitor	330 nF
OC_ADJ Resistor	27 kΩ (14 A per channel, Cycle-by-cycle Current Limit)

9.2.2.1 Application Curves

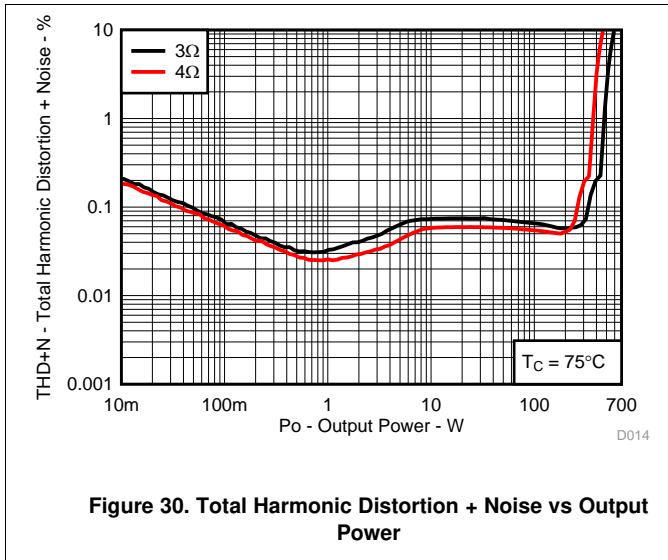


Figure 30. Total Harmonic Distortion + Noise vs Output Power

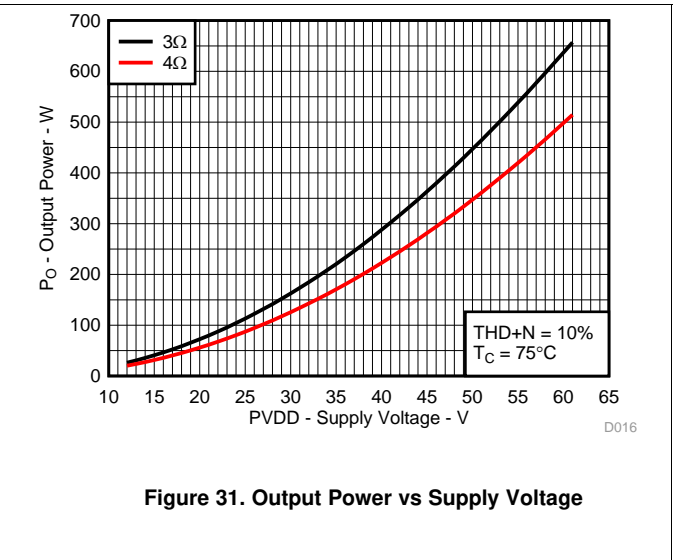
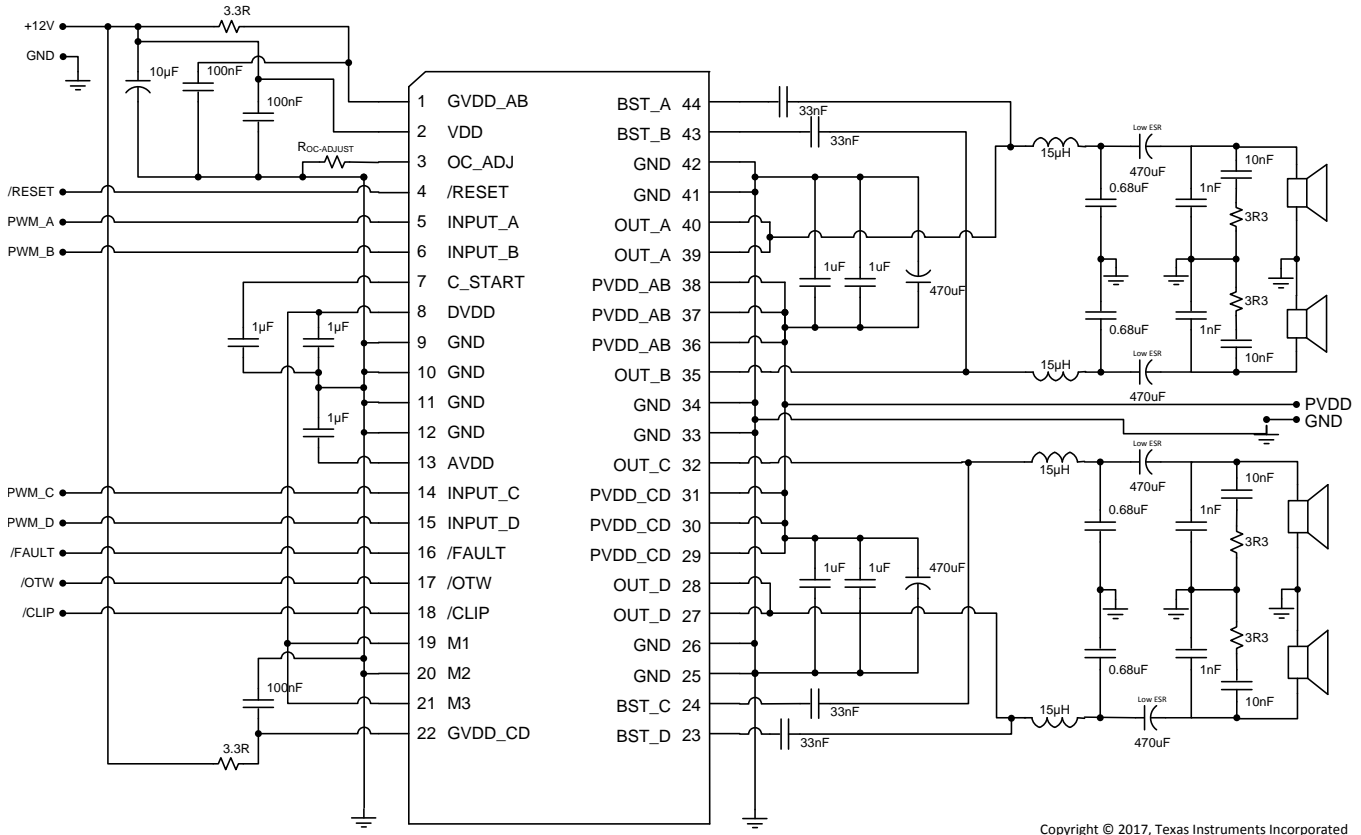


Figure 31. Output Power vs Supply Voltage

9.2.3 Typical SE Configuration

See [Figure 32](#) for application schematic. In this application, four single-ended PWM inputs are used with AD modulation from the PWM modulator such as the TAS5558. AD modulation scheme is defined as PWM(+) is opposite polarity from PWM(-), but in this case there is only a single-ended signal. The single-ended (SE) output configuration is often used to drive four independent channels in one TAS5634 device.



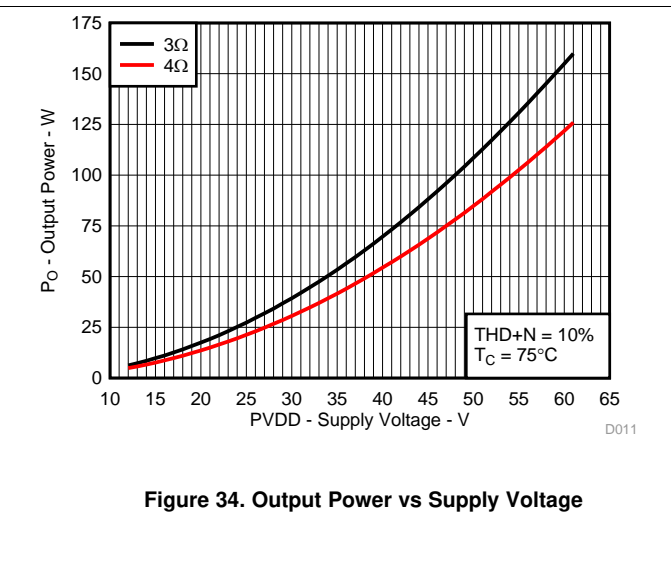
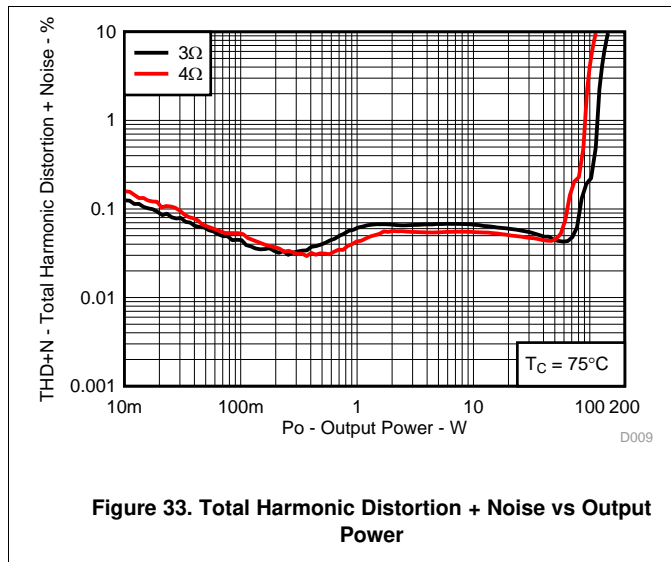
Copyright © 2017, Texas Instruments Incorporated

Figure 32. Typical (1N) SE Application

Table 9. SE Design Requirements

PARAMETERS	VALUES
PVDD Supply Voltage	12 V to 58 V
GVDD and VDD Voltage	12 V
Device Configuration	AD Modulation, Single-Ended Input
Mode Pins	M3 = DVDD, M2 = GND, M1 = DVDD
INPUT_A	PWM_1
INPUT_B	PWM_2
INPUT_C	PWM_3
INPUT_D	PWM_4
PWM modulator	TAS5548
Output filters	Inductor: 15 µH, Capacitor: 0.68 µF
Speaker	3 Ω minimum
C_START Capacitor	1 µF
OC_ADJ Resistor	27 kΩ (14 A per channel, Cycle-by-cycle Current Limit)

9.2.3.1 Application Curves



10 Power Supply Recommendations

10.1 Power Supplies

To simplify power supply design, the TAS5634 requires only two voltage supplies. A 12-V supply and 58-V (typical) power-stage supply. An internal voltage regulator provides the supply voltage for the digital and low-voltage analog circuitry. Additionally, a floating voltage supply, using the built-in bootstrap circuit, provides the high-side gate drive voltage for each half-bridge.

The PWM signal paths, including gate drive and output stage, are designed as identical, independent half-bridges. Each half-bridge has separate bootstrap pins (BST_X) and each full-bridge has separate power stage supply (PVDD_X) and gate supply (GVDD_X). TI highly recommends separating GVDD_AB, GVDD_CD, and VDD on the printed-circuit-board (PCB) using RC filters (see [Layout Example](#) for details). These RC filters provide the recommended high-frequency isolation between GVDD_X and VDD. Place all decoupling capacitors close to the associated pins to avoid stray inductance.

Pay special attention to the power-stage power supply; this includes component selection, PCB placement and routing. For optimal electrical performance, EMI compliance, and system reliability, it is important that each PVDD_X connection is decoupled with a minimum of 470-nF ceramic capacitors placed as close as possible to each supply pin. TI recommends following the PCB layout of the TAS5634EVM. For additional information on recommended power supply and required components, see the application diagrams in this data sheet.

The 12-V supply must have low-noise and low-output-impedance from a voltage regulator. Likewise, the 58-V power stage supply is assumed to have low output impedance and low noise. The power-supply sequence is not critical because of the internal power-on reset circuit. This makes the TAS5634 protected against erroneous power-stage turn on due to parasitic gate charging when power supplies are applied. Thus, voltage-supply ramp rates (dV/dt) are non-critical within the specified range (see the [Recommended Operating Conditions](#) table of this data sheet).

10.2 Bootstrap Supply

For a properly functioning bootstrap circuit, a small ceramic capacitor must be connected from each bootstrap pin (BST_X) to the power-stage output pin (OUT_X). When the power-stage output is low, the bootstrap capacitor is charged through an internal diode connected between the gate-drive power-supply pin (GVDD_X) and the bootstrap pin. When the power-stage output is high, the bootstrap capacitor potential is shifted above the output potential and thus provides a suitable voltage supply for the high-side gate driver. In an application with PWM switching frequencies in the range from 300 kHz to 400 kHz, TI recommends using 33-nF ceramic capacitors, size 0603 or 0805, for the bootstrap supply. These 33-nF capacitors ensure sufficient energy storage, even during minimal PWM duty cycles, to keep the high-side power stage FET (LDMOS) fully turned on during the remaining part of the PWM cycle.

11 Layout

11.1 Layout Guidelines

These requirements must be followed to achieve best performance and reliability and minimum ground bounce at rated output power of TAS5634.

11.1.1 PCB Material Recommendation

FR-4 Glass Epoxy material with 1oz. (35 μm) copper is recommended for use with the TAS5634. The use of this material can provide for higher power output, improved thermal performance and better EMI margin (due to lower PCB trace inductance).

11.1.2 PVDD Capacitor Recommendation

The large capacitors used in conjunction with each full-bridge, are referred to as the PVDD Capacitors. These capacitors should be selected for proper voltage margin and adequate capacitance to support the power requirements. In practice, with a well designed system power supply, 1000 μF , 75 V bulk capacitors should support most applications. The PVDD capacitors should be low ESR type because they are used in a circuit associated with high-speed switching.

11.1.3 Decoupling Capacitor Recommendation

To design an amplifier that has robust performance, passes regulatory requirements, and exhibits good audio performance, good quality decoupling capacitors should be used. In practice, X5R or better should be used in this application.

The voltage of the decoupling capacitors should be selected in accordance with good design practices. Temperature, ripple current, and voltage overshoot must be considered. This fact is particularly true in the selection of the close decoupling capacitor that is placed on the power supply to each half-bridge. It must withstand the voltage overshoot of the PWM switching, the heat generated by the amplifier during high power output, and the ripple current created by high power output. A minimum voltage rating of 100V is required for use with a 58 V power supply.

See the TAS5634EVM User's Guide for more details including layout and bill-of-material.

11.1.4 Circuit Component Requirements

A number of circuit components are critical to performance and reliability. They include LC filter inductors and capacitors, decoupling capacitors and the heatsink. The best detailed reference for these is the TAS5634EVM BOM in the user's guide, which includes components that meet all the following requirements.

- **High frequency decoupling capacitors** - small high frequency decoupling capacitors are placed next to the IC to control switching spikes and keep high frequency currents in a tight loop to achieve best performance and reliability and EMC. They must be high quality ceramic parts with material like X7R or X5R and voltage ratings at least 30% greater than PVDD, to minimize loss of capacitance caused by applied DC voltage. (Capacitors made of materials like Y5V or Z5U should never be used in decoupling circuits or audio circuits because their capacitance falls dramatically with applied DC and AC voltage, often to 20% of rated value or less.)
- **Bulk decoupling capacitors** - large bulk decoupling capacitors are placed as close as possible to the IC to stabilize the power supply at lower frequencies. They must be high quality aluminum parts with low ESR and ESL and voltage ratings at least 25% more than PVDD to handle power supply ripple currents and voltages.
- **LC filter inductors** - to maintain high efficiency, short circuit protection and low distortion, LC filter inductors must be linear to at least the OCP limit and must have low DC resistance and core losses. For SCP, minimum working inductance, including all variations of tolerance, temperature and current level, must be 5 μH . Inductance variation of more than 1% over the output current range can cause increased distortion.
- **LC filter capacitors** - to maintain low distortion and reliable operation, LC filter capacitors must be linear to twice the peak output voltage. For reliability, capacitors must be rated to handle the audio current generated in them by the maximum expected audio output voltage at the highest audio frequency.
- **Heatsink** - The heatsink must be fabricated with the PowerPAD™ contact area spaced 1.0mm +/-0.01mm above mounting areas that contact the PCB surface. It must be supported mechanically at each end of the IC. This mounting ensures the correct pressure to provide good mechanical, thermal and electrical contact with

Layout Guidelines (continued)

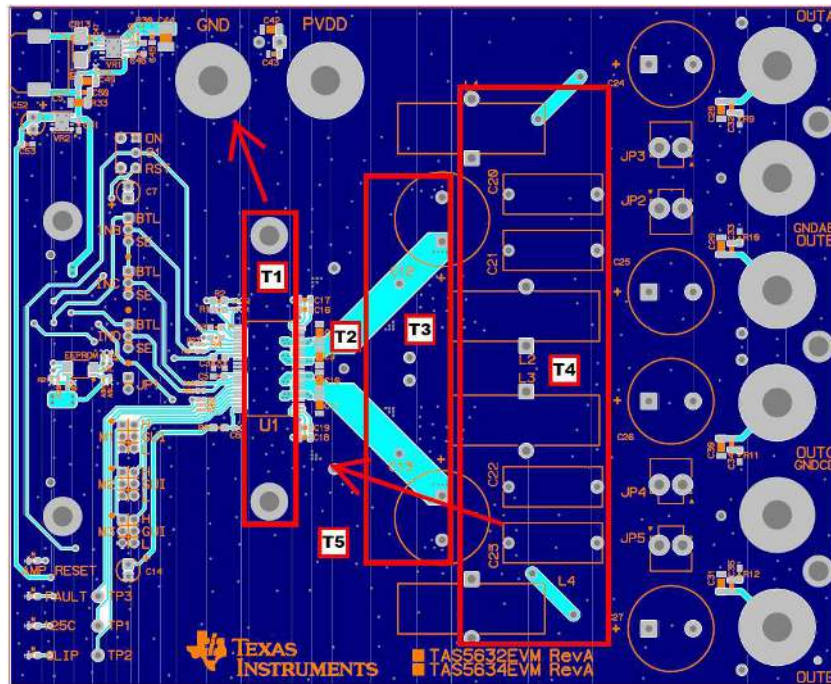
TAS5634 PowerPAD™. The PowerPAD™ contact area must be bare and must be interfaced to the PowerPAD™ with a thin layer (about 1mil) of a thermal compound with high thermal conductivity.

11.1.5 Printed Circuit Board Requirements

PCB layout, audio performance, EMC and reliability are linked closely together, and solid grounding improves results in all these areas. The circuit produces high, fast-switching currents, and care must be taken to control current flow and minimize voltage spikes and ground bounce at IC ground pins. Critical components must be placed for best performance and PCB traces must be sized for the high audio currents that the IC circuit produces.

- **Grounding** - ground planes must be used to provide the lowest impedance and inductance for power and audio signal currents between the IC and its decoupling capacitors, LC filters and power supply connection. The area directly under the IC should be treated as central ground area for the device, and all IC grounds must be connected directly to that area. A matrix of vias must be used to connect that area to the ground plane. Ground planes can be interrupted by radial traces (traces pointing away from the IC), but they must never be interrupted by circular traces, which disconnect copper outside the circular trace from copper between it and the IC. Top and bottom areas that do not contain any power or signal traces should be flooded and connected with vias to the ground plane.
- **Decoupling capacitors** - high frequency decoupling capacitors must be located within 2mm of the IC and connected directly to PVDD and GND pins with solid traces. Vias must not be used to complete these connections, but several vias must be used at each capacitor location to connect top ground directly to the ground plane. Placement of bulk decoupling capacitors is less critical, but they still must be placed as close as possible to the IC with strong ground return paths. Typically the heatsink sets the distance.
- **LC filters** - LC filters must be placed as close as possible to the IC after the decoupling capacitors. The capacitors must have strong ground returns to the IC through top and bottom grounds for effective operation.
- **PCB** - PCB copper must be at least 1 ounce thickness. PVDD and output traces must be wide enough to carry expected average currents without excessive temperature rise. PWM input traces must be kept short and close together on the input side of the IC and must be shielded with ground flood to avoid interference from high power switching signals.
- **Heat sink** - The heatsink must be grounded well to the PCB near the IC, and a thin layer of highly conductive thermal compound (about 1mil) must be used to connect the heatsink to the PowerPAD™.

11.2 Layout Example



Note T1: Bottom and top layer ground plane areas are used to provide strong ground connections. The area under the IC must be treated as central ground, with IC grounds connected there and a strong via matrix connecting the area to bottom ground plane. The ground path from the IC to the power supply ground through top and bottom layers must be strong to provide very low impedance to high power and audio currents.

Note T2: Low impedance X7R or X5R ceramic high frequency decoupling capacitors must be placed within 2mm of PVDD and GND pins and connected directly to them and to top ground plane to provide good decoupling of high frequency currents for best performance and reliability. Their DC voltage rating must be 2 times PVDD.

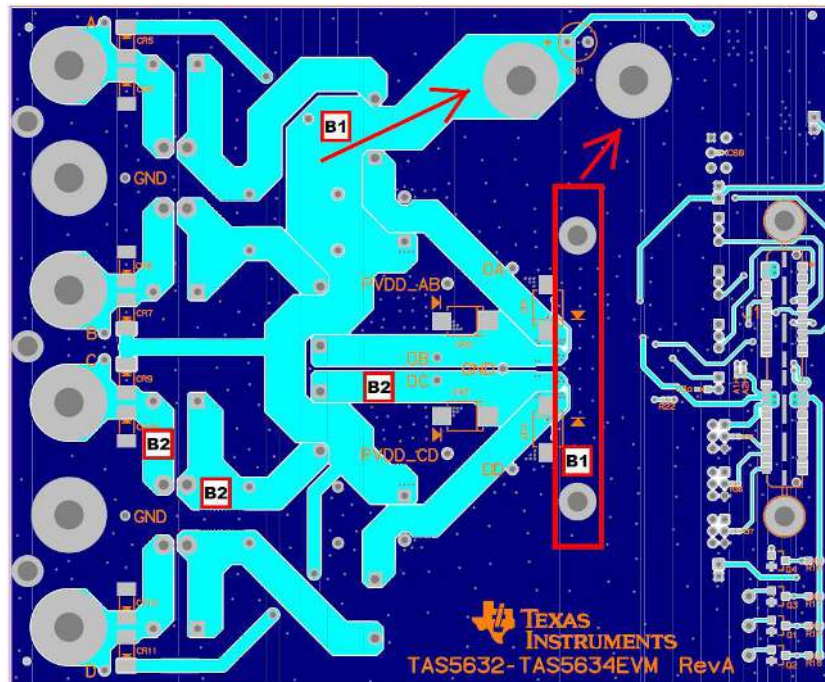
Note T3: Low impedance electrolytic bulk decoupling capacitors must be placed as close as possible to the IC. Typically the heat sink sets the distance. Wide PVDD traces are routed on the top layer with direct connections to the pins, without going through vias.

Note T4: LC filter inductors and capacitors must be placed as close as possible to the IC after decoupling capacitors. Inductors must have low DC resistance and switching losses and must be linear to at least the OCP (over current protection) limit. Capacitors must be linear to at least twice the maximum output voltage and must be capable of conducting currents generated by the maximum expected high frequency output.

Note T5: Bulk decoupling capacitors and LC filter capacitors must have strong ground return paths through ground plane to the central ground area under the IC.

Note T6: The heat sink must have a good thermal and electrical connection to PCB ground and to the IC PowerPAD™. It must be connected to the PowerPad through a thin layer, about 1 mil, of highly conductive thermal compound.

Figure 35. Printed Circuit Board - Top Layer

Layout Example (continued)


Note B1: A wide PVDD bus and a wide ground path must be used to provide very low impedance to high power and audio currents to the power supply. Top and bottom ground planes must be connected with vias at many points to reinforce the ground connections.

Note B2: Wide output traces can be routed on the bottom layer and connected to output pins with strong via arrays.

Figure 36. Printed Circuit Board - Bottom Layer

12 Device and Documentation Support

12.1 Receiving Notification of Documentation Updates

To receive notification of documentation updates, navigate to the device product folder on ti.com. In the upper right corner, click on *Alert me* to register and receive a weekly digest of any product information that has changed. For change details, review the revision history included in any revised document.

12.2 Community Resources

The following links connect to TI community resources. Linked contents are provided "AS IS" by the respective contributors. They do not constitute TI specifications and do not necessarily reflect TI's views; see TI's [Terms of Use](#).

TI E2E™ Online Community *TI's Engineer-to-Engineer (E2E) Community*. Created to foster collaboration among engineers. At e2e.ti.com, you can ask questions, share knowledge, explore ideas and help solve problems with fellow engineers.

Design Support *TI's Design Support* Quickly find helpful E2E forums along with design support tools and contact information for technical support.

12.3 Trademarks

PowerPAD, PurePath, E2E are trademarks of Texas Instruments.

12.4 Electrostatic Discharge Caution



This integrated circuit can be damaged by ESD. Texas Instruments recommends that all integrated circuits be handled with appropriate precautions. Failure to observe proper handling and installation procedures can cause damage.

ESD damage can range from subtle performance degradation to complete device failure. Precision integrated circuits may be more susceptible to damage because very small parametric changes could cause the device not to meet its published specifications.

12.5 Glossary

[SLYZ022](#) — *TI Glossary*.

This glossary lists and explains terms, acronyms, and definitions.

13 Mechanical, Packaging, and Orderable Information

The following pages include mechanical, packaging, and orderable information. This information is the most current data available for the designated devices. This data is subject to change without notice and revision of this document. For browser-based versions of this data sheet, refer to the left-hand navigation.

PACKAGING INFORMATION

Orderable Device	Status (1)	Package Type	Package Drawing	Pins	Package Qty	Eco Plan (2)	Lead finish/ Ball material (6)	MSL Peak Temp (3)	Op Temp (°C)	Device Marking (4/5)	Samples
TAS5634DDV	ACTIVE	HTSSOP	DDV	44	35	RoHS & Green	NIPDAU	Level-3-260C-168 HR	0 to 70	TAS5634	Samples
TAS5634DDVR	ACTIVE	HTSSOP	DDV	44	2000	RoHS & Green	NIPDAU	Level-3-260C-168 HR	0 to 70	TAS5634	Samples

(1) The marketing status values are defined as follows:

ACTIVE: Product device recommended for new designs.

LIFEBUY: TI has announced that the device will be discontinued, and a lifetime-buy period is in effect.

NRND: Not recommended for new designs. Device is in production to support existing customers, but TI does not recommend using this part in a new design.

PREVIEW: Device has been announced but is not in production. Samples may or may not be available.

OBSOLETE: TI has discontinued the production of the device.

(2) **RoHS:** TI defines "RoHS" to mean semiconductor products that are compliant with the current EU RoHS requirements for all 10 RoHS substances, including the requirement that RoHS substance do not exceed 0.1% by weight in homogeneous materials. Where designed to be soldered at high temperatures, "RoHS" products are suitable for use in specified lead-free processes. TI may reference these types of products as "Pb-Free".

RoHS Exempt: TI defines "RoHS Exempt" to mean products that contain lead but are compliant with EU RoHS pursuant to a specific EU RoHS exemption.

Green: TI defines "Green" to mean the content of Chlorine (Cl) and Bromine (Br) based flame retardants meet JS709B low halogen requirements of <=1000ppm threshold. Antimony trioxide based flame retardants must also meet the <=1000ppm threshold requirement.

(3) MSL, Peak Temp. - The Moisture Sensitivity Level rating according to the JEDEC industry standard classifications, and peak solder temperature.

(4) There may be additional marking, which relates to the logo, the lot trace code information, or the environmental category on the device.

(5) Multiple Device Markings will be inside parentheses. Only one Device Marking contained in parentheses and separated by a "~" will appear on a device. If a line is indented then it is a continuation of the previous line and the two combined represent the entire Device Marking for that device.

(6) Lead finish/Ball material - Orderable Devices may have multiple material finish options. Finish options are separated by a vertical ruled line. Lead finish/Ball material values may wrap to two lines if the finish value exceeds the maximum column width.

Important Information and Disclaimer:The information provided on this page represents TI's knowledge and belief as of the date that it is provided. TI bases its knowledge and belief on information provided by third parties, and makes no representation or warranty as to the accuracy of such information. Efforts are underway to better integrate information from third parties. TI has taken and continues to take reasonable steps to provide representative and accurate information but may not have conducted destructive testing or chemical analysis on incoming materials and chemicals. TI and TI suppliers consider certain information to be proprietary, and thus CAS numbers and other limited information may not be available for release.

In no event shall TI's liability arising out of such information exceed the total purchase price of the TI part(s) at issue in this document sold by TI to Customer on an annual basis.

TAPE AND REEL INFORMATION

QUADRANT ASSIGNMENTS FOR PIN 1 ORIENTATION IN TAPE

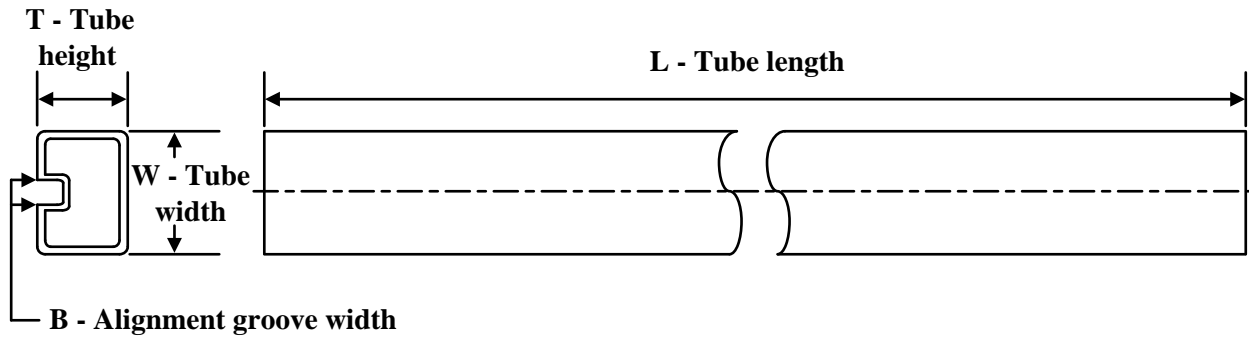

*All dimensions are nominal

Device	Package Type	Package Drawing	Pins	SPQ	Reel Diameter (mm)	Reel Width W1 (mm)	A0 (mm)	B0 (mm)	K0 (mm)	P1 (mm)	W (mm)	Pin1 Quadrant
TAS5634DDVR	HTSSOP	DDV	44	2000	330.0	24.4	8.6	15.6	1.8	12.0	24.0	Q1

TAPE AND REEL BOX DIMENSIONS

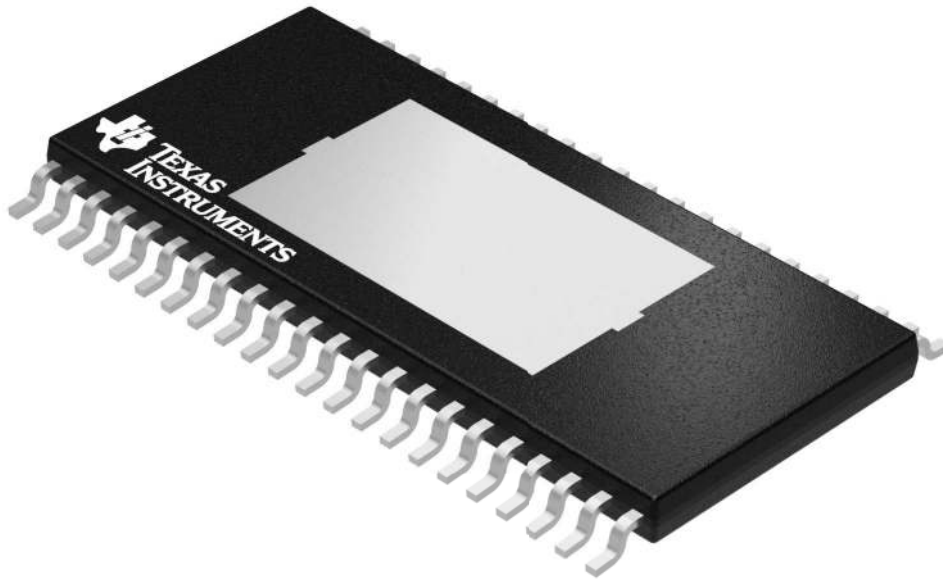

*All dimensions are nominal

Device	Package Type	Package Drawing	Pins	SPQ	Length (mm)	Width (mm)	Height (mm)
TAS5634DDVR	HTSSOP	DDV	44	2000	350.0	350.0	43.0

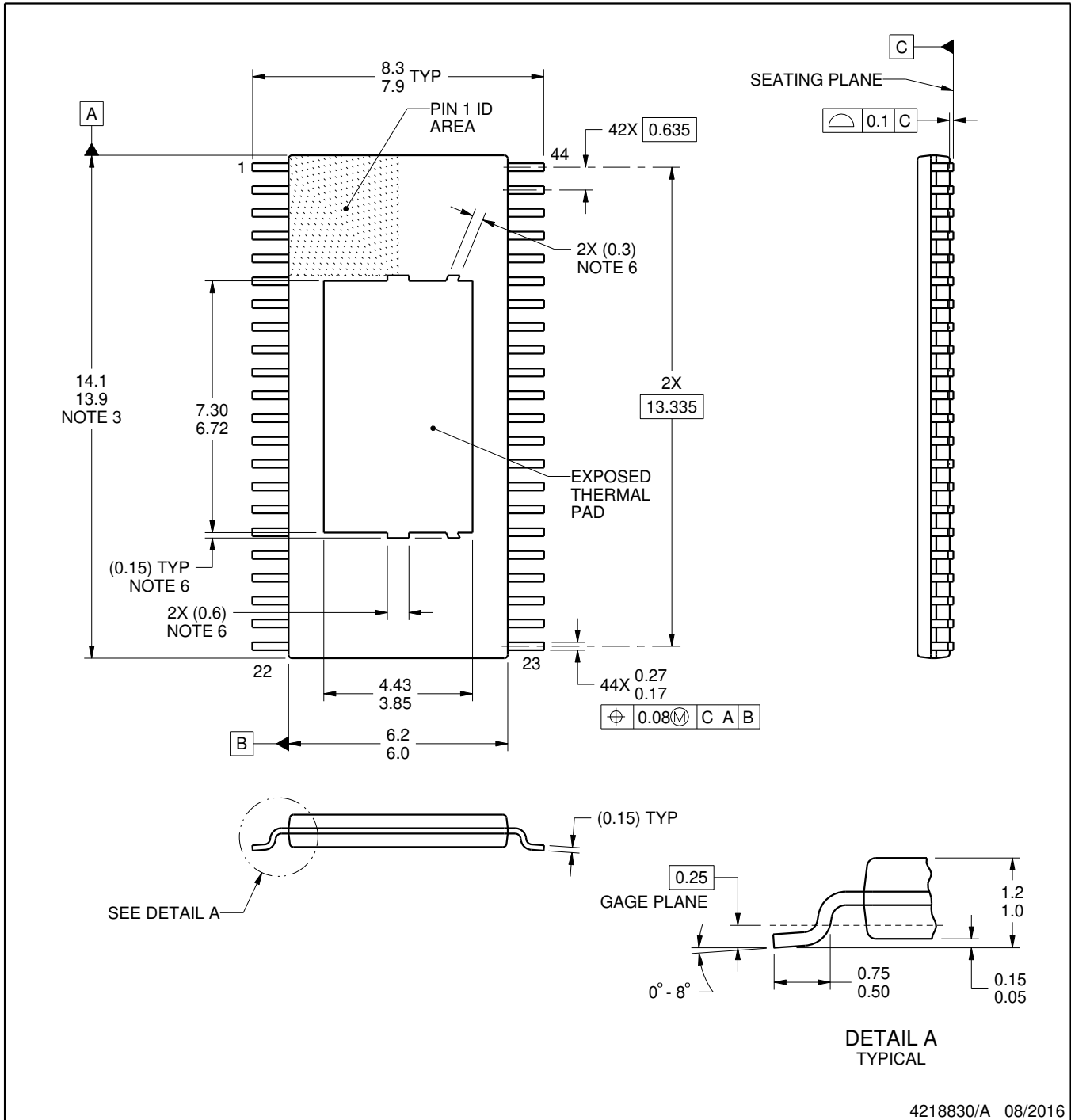
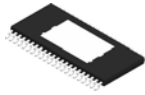
TUBE


*All dimensions are nominal

Device	Package Name	Package Type	Pins	SPQ	L (mm)	W (mm)	T (μm)	B (mm)
TAS5634DDV	DDV	HTSSOP	44	35	530	11.89	3600	4.9



Images above are just a representation of the package family, actual package may vary.
Refer to the product data sheet for package details.



4218830/A 08/2016

NOTES:

PowerPAD is a trademark of Texas Instruments.

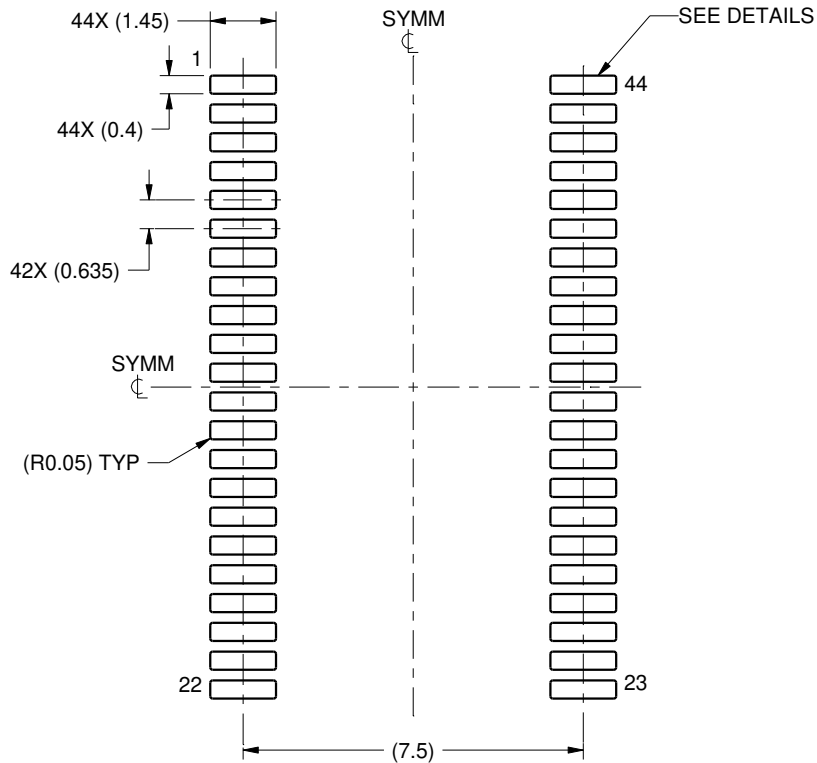
1. All linear dimensions are in millimeters. Any dimensions in parenthesis are for reference only. Dimensioning and tolerancing per ASME Y14.5M.
2. This drawing is subject to change without notice.
3. This dimension does not include mold flash, protrusions, or gate burrs. Mold flash, protrusions, or gate burrs shall not exceed 0.15 mm per side.
4. Reference JEDEC registration MO-153.
5. The exposed thermal pad is designed to be attached to an external heatsink.
6. Features may differ or may not be present.

EXAMPLE BOARD LAYOUT

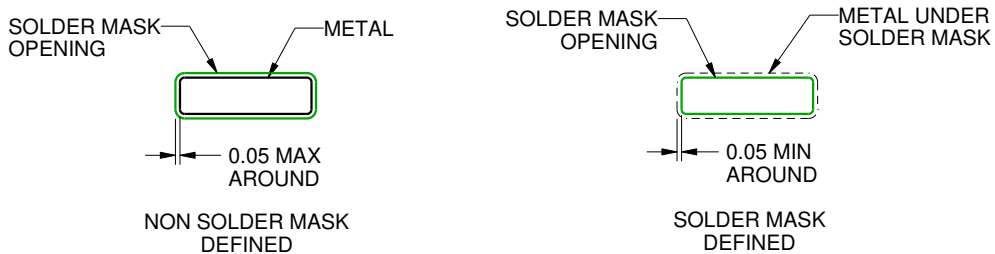
DDV0044D

PowerPAD™ TSSOP - 1.2 mm max height

PLASTIC SMALL OUTLINE



LAND PATTERN EXAMPLE
SCALE:6X



SOLDER MASK DETAILS
NOT TO SCALE

4218830/A 08/2016

NOTES: (continued)

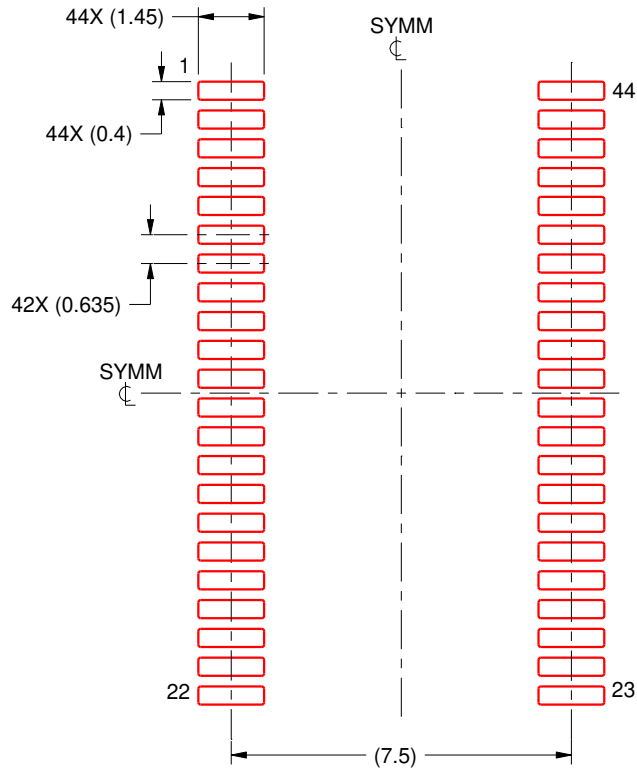
- 7. Publication IPC-7351 may have alternate designs.
- 8. Solder mask tolerances between and around signal pads can vary based on board fabrication site.

EXAMPLE STENCIL DESIGN

DDV0044D

PowerPAD™ TSSOP - 1.2 mm max height

PLASTIC SMALL OUTLINE



SOLDER PASTE EXAMPLE
BASED ON 0.125 MM THICK STENCIL
SCALE :6X

4218830/A 08/2016

NOTES: (continued)

9. Laser cutting apertures with trapezoidal walls and rounded corners may offer better paste release. IPC-7525 may have alternate design recommendations.
10. Board assembly site may have different recommendations for stencil design.

IMPORTANT NOTICE AND DISCLAIMER

TI PROVIDES TECHNICAL AND RELIABILITY DATA (INCLUDING DATA SHEETS), DESIGN RESOURCES (INCLUDING REFERENCE DESIGNS), APPLICATION OR OTHER DESIGN ADVICE, WEB TOOLS, SAFETY INFORMATION, AND OTHER RESOURCES "AS IS" AND WITH ALL FAULTS, AND DISCLAIMS ALL WARRANTIES, EXPRESS AND IMPLIED, INCLUDING WITHOUT LIMITATION ANY IMPLIED WARRANTIES OF MERCHANTABILITY, FITNESS FOR A PARTICULAR PURPOSE OR NON-INFRINGEMENT OF THIRD PARTY INTELLECTUAL PROPERTY RIGHTS.

These resources are intended for skilled developers designing with TI products. You are solely responsible for (1) selecting the appropriate TI products for your application, (2) designing, validating and testing your application, and (3) ensuring your application meets applicable standards, and any other safety, security, regulatory or other requirements.

These resources are subject to change without notice. TI grants you permission to use these resources only for development of an application that uses the TI products described in the resource. Other reproduction and display of these resources is prohibited. No license is granted to any other TI intellectual property right or to any third party intellectual property right. TI disclaims responsibility for, and you will fully indemnify TI and its representatives against, any claims, damages, costs, losses, and liabilities arising out of your use of these resources.

TI's products are provided subject to [TI's Terms of Sale](#) or other applicable terms available either on [ti.com](https://www.ti.com) or provided in conjunction with such TI products. TI's provision of these resources does not expand or otherwise alter TI's applicable warranties or warranty disclaimers for TI products.

TI objects to and rejects any additional or different terms you may have proposed.

Mailing Address: Texas Instruments, Post Office Box 655303, Dallas, Texas 75265
Copyright © 2023, Texas Instruments Incorporated