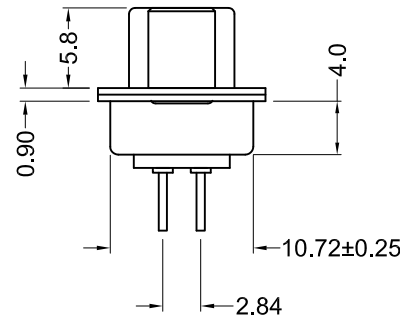
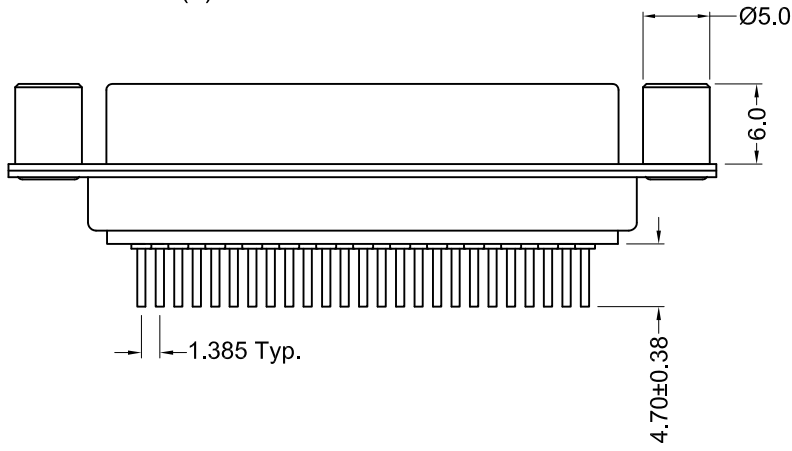
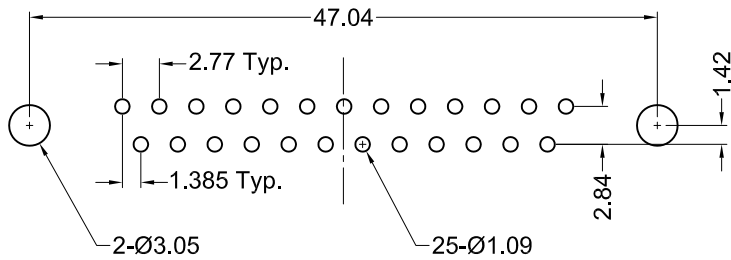


#4-40 UNC
Internal Thread (2)



Recommended PCB Layout



Material and Finish

Shell: steel, nickel plated

Insulator: PBT with glass-fiber reinforcement, UL 94V-0 rated, color-black

Contact Material:

Socket: Brass

Contact Plating:

Standard:

Gold flash on mating end, tin on termination end, with entire contact nickel underplated

-15 Option:

15u" gold on mating end, tin on termination end, with entire contact nickel underplated

-30 Option:

30u" gold on mating end, tin on termination end, with entire contact nickel underplated

Electrical Specifications

Rated Current: 2A

Rated Voltage: 30V RMS

Withstanding Voltage: 500V (rms) AC for 1 minute

Insulation Resistance: more than 1000 Megohm at 500V DC

Contact Resistance: 13 milliohm max.

Dielectric Strength: 1000V for 1 minute

Operating Temperature: -55°C to +105°C

Ordering Information

| Part Number | Contact Area Plating Finish |
|-----------------|-----------------------------|
| K85X-BD-25S-R | Gold Flash (standard) |
| K85X-BD-25S-R15 | 15u" Gold (15 option) |
| K85X-BD-25S-R30 | 30u" Gold (30 option) |

| Tolerances |
|-------------------------|
| X.X ± 0.25 |
| X.XX ± 0.15 |
| Unless Stated Otherwise |



| REV. | DATE | DESCRIPTION | REV. BY | CHK. BY | DRAWN BY | DATE |
|------|----------|-------------|------------|-------------|------------|----------|
| A1 | 10/13/05 | New Drawing | R. Aguirre | H. MA | R. Aguirre | 10/13/05 |
| A2 | 1/8/08 | ECO #07-052 | WILL H. | H. MA | | |
| A3 | 12/31/17 | ECO #17-030 | J. Elbanna | C. Furumasu | | |
| | | | | | | UNITS |
| | | | | | | mm |

K85X-BD-25S-R

Vertical PCB Mount D-Sub ,RoHS Compliant

25 Pin Female, w/ Round Jackscrews

