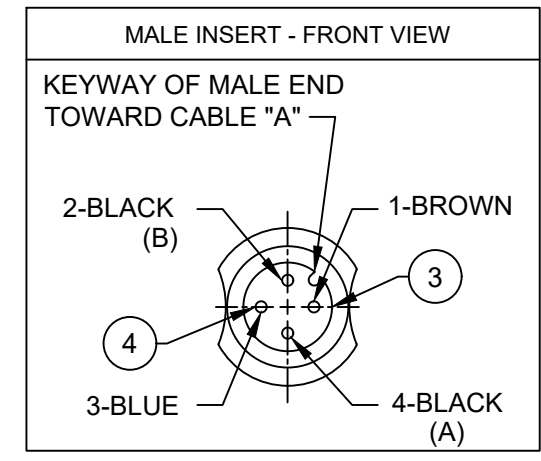


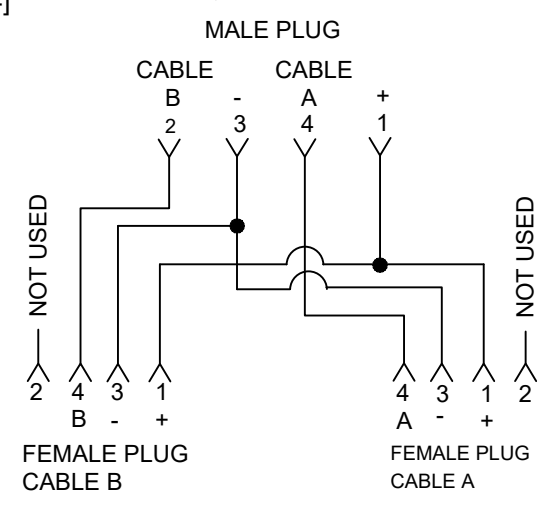
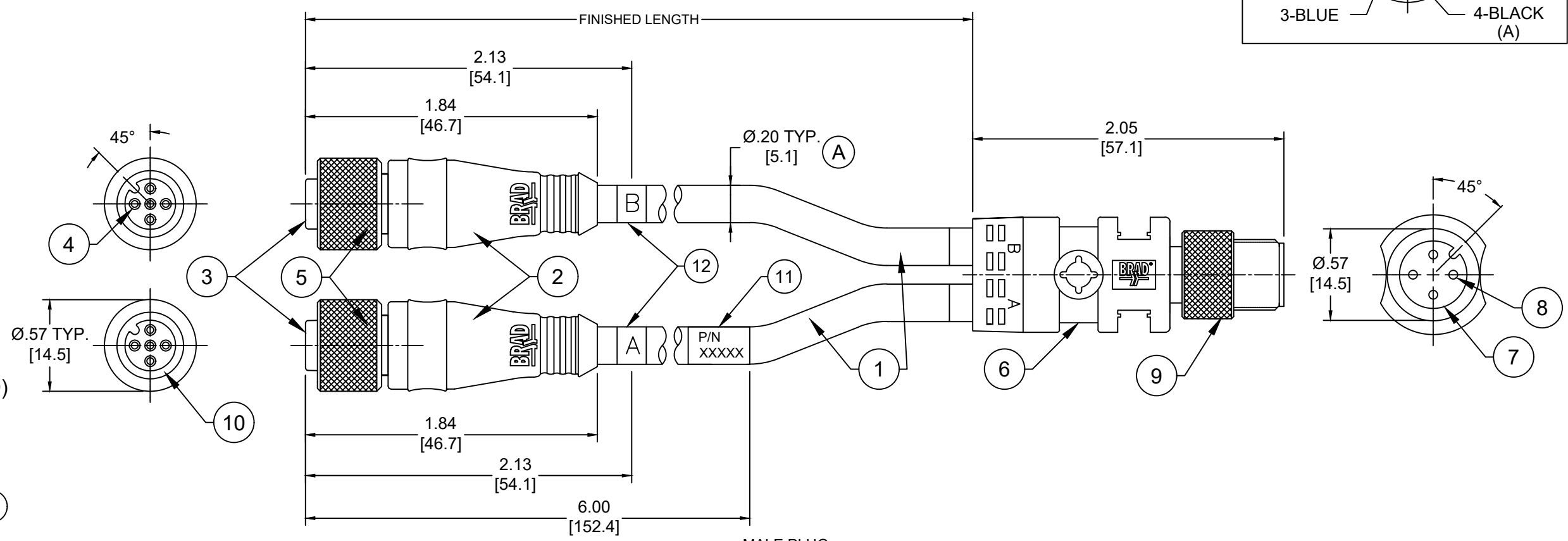
PART NO	ENGINEERING NO.	FINISHED LENGTH
1200680175	884A30A09M003	0.3M [1 FT]
1200680176	884A30A09M006	0.6M [2 FT]
1200680177	884A30A09M010	1M [3 FT 3 IN]

(A) PART NO. MATRIX  
**884A30A09M003**

FINISHED LENGTH:  
M005= 0.5 METER  
M010= 1 METER  
M100= 10 METER



- NOTES:
- MATERIAL: AS NOTED
  - FINISH: AS NOTED
  - ELECTRICAL:  
VOLTAGE: 250V (A)  
CURRENT: 4A
  - TEMP RATING: -20°TO +105°C (A)
  - PROTECTION: IP67 (WHEN MATED)
  - COUPLING THREAD:  
FEMALE: M12 X 1 INTERNAL THD.  
MALE: M12 X 1 EXTERNAL THD.
  - UL RECOGNIZED FILE: E152210 (A)  
CSA CERTIFIED FILE: LR6837
  - ALL DIMENSIONS ARE FOR REFERENCE UNLESS TOLERANCED OR NOTED OTHERWISE



(A)

CABLE LENGTH TOLERANCES
<.3M [1FT]: +19mm-0 [+ .75in-0]
.3 - .9M [1 - 3FT]: +44.5mm-0 [+1.75in-0]
.9 - 1.8M [3 - 6FT]: +55.6mm-0 [+2.19in-0]
1.8 - 3.7M [6 - 12FT]: +88.9mm-0 [+3.50in-0]
3.7 - 7.3M [12 - 24FT]: +165.1mm-0 [+6.50in-0]
7.3-14.6M [24 - 48FT]: +317.5mm-0 [+12.50in-0]
14.6 - 30.5M [48-100FT]: +622.3mm-0 [+24.50in-0]
OVER 30M [100FT]: +2% OF FINISHED LENGTH

ITEM	DESCRIPTION	MATERIAL	FINISH
12	ID LABEL	VINYL	BLACK/WHITE (A)
11	WRAP LABEL	VINYL	BLACK/YELLOW (A)
10	O-RING	VITON	RED (A)
9	MALE COUPLING NUT	BRASS	NICKEL PLATED (A)
8	CONTACT PIN	COPPER ALLOY	GOLD OVER NICKEL (A)
7	MALE INSERT	PUR	BLACK (A)
6	MALE OVERMOLD	PUR	YELLOW (A)
5	FEMALE COUPLING NUT	BRASS	NICKEL PLATED (A)
4	CONTACT SOCKET	COPPER ALLOY	GOLD OVER NICKEL (A)
3	FEMALE INSERT	PUR	BLACK (A)
2	FEMALE OVERMOLD	PUR	YELLOW (A)
1	CABLE #22-3	PVC	YELLOW (A)
ITEM	DESCRIPTION	MATERIAL	FINISH

FUNCTIONAL SYMBOLS	THIS DRAWING CONTAINS INFORMATION THAT IS PROPRIETARY TO MOLEX ELECTRONIC TECHNOLOGIES, LLC AND SHOULD NOT BE USED WITHOUT WRITTEN PERMISSION		CURRENT REV DESC: ITEM 2 & 6 WAS TPU & 11 WAS MYLAR. ADDED ITEM-12, UL, CSA, CABLE DIA, TOL CHART & PN MATRIX. UPDATED TEMP RATING AND VOLTAGE WAS 30VDC	
INCH/MM	SCALE	EC NO: 669893		
GENERAL TOLERANCES (UNLESS SPECIFIED)	NTS	DRWN: ABENJAMINLW	2021/03/23	
4 PLACES ±----	mm INCH	CHK'D: RSTONE	2021/07/12	
3 PLACES ±----		APPR: BWOODMAN	2021/07/14	PRODUCT CUSTOMER DRAWING
DIVISIONAL SYMBOLS		INITIAL REVISION:		DOCUMENT NUMBER
1 PLACE ±----		DRWN: BBRAUCH	2010/02/08	SD-120068-024
0 PLACES ±----		APPR: NSTAUDIG	2010/02/15	DOC TYPE/DOC PART/REVISION
ANGULAR TOL ± --- °		DRAWING		PSD 001 A
DRAFT WHERE APPLICABLE MUST REMAIN WITHIN DIMENSIONS	THIRD ANGLE PROJECTION	SERIES	MATERIAL NUMBER	CUSTOMER
		A3-SIZE	120068	GENERAL MARKET
			SEE CHART	SHEET NUMBER
				1 OF 1