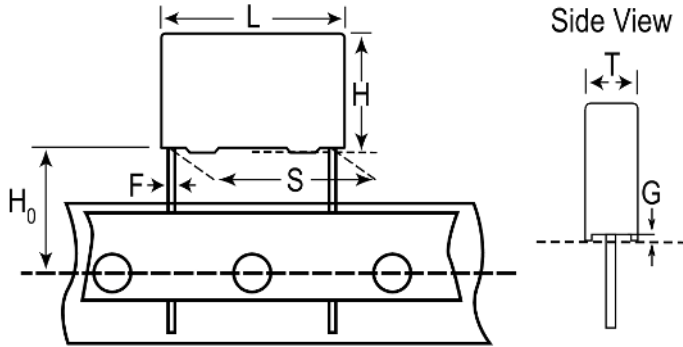


PME295RB4470MR19T0

Aliases (P295BQ472M440L)

PME295/P295, Film, Metallized Paper, Safety, 4700 pF, 20%, 440 VAC (Y1) (ENEC), 480 VAC (UL, cUL), 1500 VDC, 115°C, Lead Spacing = 15mm



General Information

Series	PME295/P295
Dielectric	Metallized Paper
Style	Radial
Features	EMI Safety
RoHS	Yes
Lead	Wire Leads
Safety Class	Y1
Qualifications	ENEC, UL, cUL, CQC
AEC-Q200	No
THB Performance	No
Component Weight	3.24 g
Miscellaneous	SRF= 22 MHz.

Click [here](#) for the 3D model.

Dimensions

L	18mm MAX
H	16mm MAX
T	8.5mm MAX
S	15mm +/-0.4mm
H ₀	18.5mm +/-0.5mm
F	0.8mm +/-0.05mm
G	0.5mm NOM

Packaging Specifications

Packaging	T&R
Packaging Quantity	400

Specifications

Capacitance	4700 pF
Capacitance Tolerance	20%
Voltage AC	440 VAC (Y1) (ENEC), 480 VAC (UL, cUL)
Voltage DC	1500 VDC
Temperature Range	-40/+115°C
Rated Temperature	115°C
Dissipation Factor	1.3% 1kHz
Insulation Resistance	12 GOhms
Max dV/dt	2000 V/us

Statements of suitability for certain applications are based on our knowledge of typical operating conditions for such applications, but are not intended to constitute - and we specifically disclaim - any warranty concerning suitability for a specific customer application or use. This information is intended for use only by customers who have the requisite experience and capability to determine the correct products for their application. Any technical advice inferred from this information or otherwise provided by us with reference to the use of our products is given gratis, and we assume no obligation or liability for the advice given or results obtained.