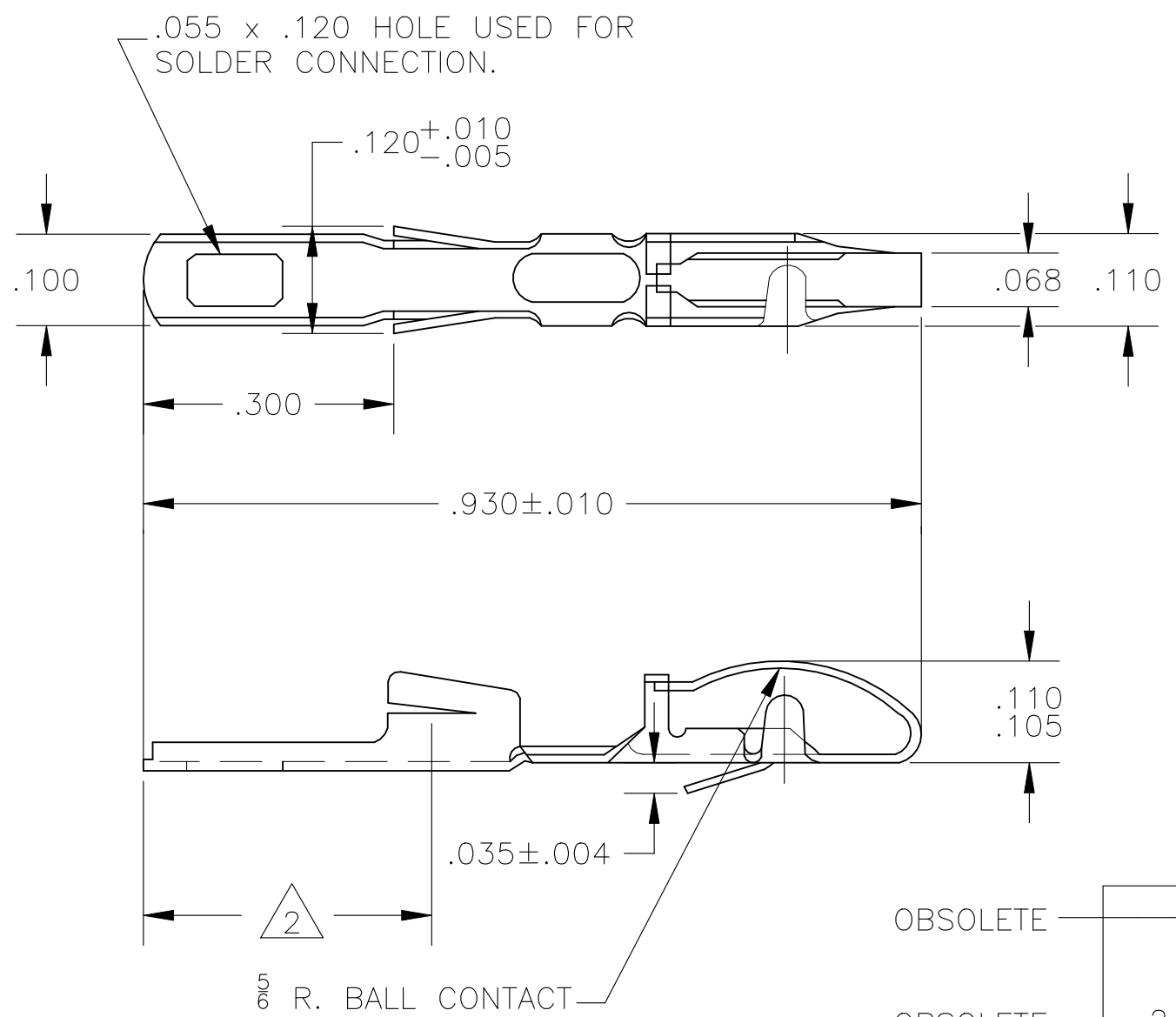


REVISIONS				
P	LTR	DESCRIPTION	DATE	APVD
	N1	ECN-22-171534	30AUG2022	RK JO



- △1 SELECTIVE GOLD PLATE OVER NICKEL ON CONTACT AREA ONLY.
- △2 GOLD FLASH OR TIN PLATE OVER NICKEL ON SOLDER TAB.

OBSOLETE	5-66067-5	.000015 GOLD OVER NICKEL	FOR 1/16" P.C.BOARD	
	66067-5	.000015 GOLD OVER NICKEL		
OBSOLETE	2-#16 MAX.	66067-4 .000060 GOLD OVER NICKEL		
OBSOLETE		66067-3 .000030 GOLD OVER NICKEL		
	WIRE SIZE	PART NO.	FINISH	HOUSING

THIS DRAWING IS A CONTROLLED DOCUMENT.		DWN M. SMITH	22JUN67	STE TE Connectivity		
DIMENSIONS: INCHES		CHK -	APVD -			NAME
TOLERANCES UNLESS OTHERWISE SPECIFIED:		PRODUCT SPEC -		AMP LEAF SOLDER TAB		
0 PLC ± - 1 PLC ± - 2 PLC ± - 3 PLC ± - 4 PLC ± - ANGLES ± 1° 0'		APPLICATION SPEC -				
MATERIAL .010 COML. PHOS. BRONZE	FINISH SEE TABLE	WEIGHT -	SIZE A3	CAGE CODE 00779	DRAWING NO C-66067	RESTRICTED TO -
CUSTOMER DRAWING			SCALE 5:1	SHEET 1 OF 1	REV N1	