

SECTION A-A

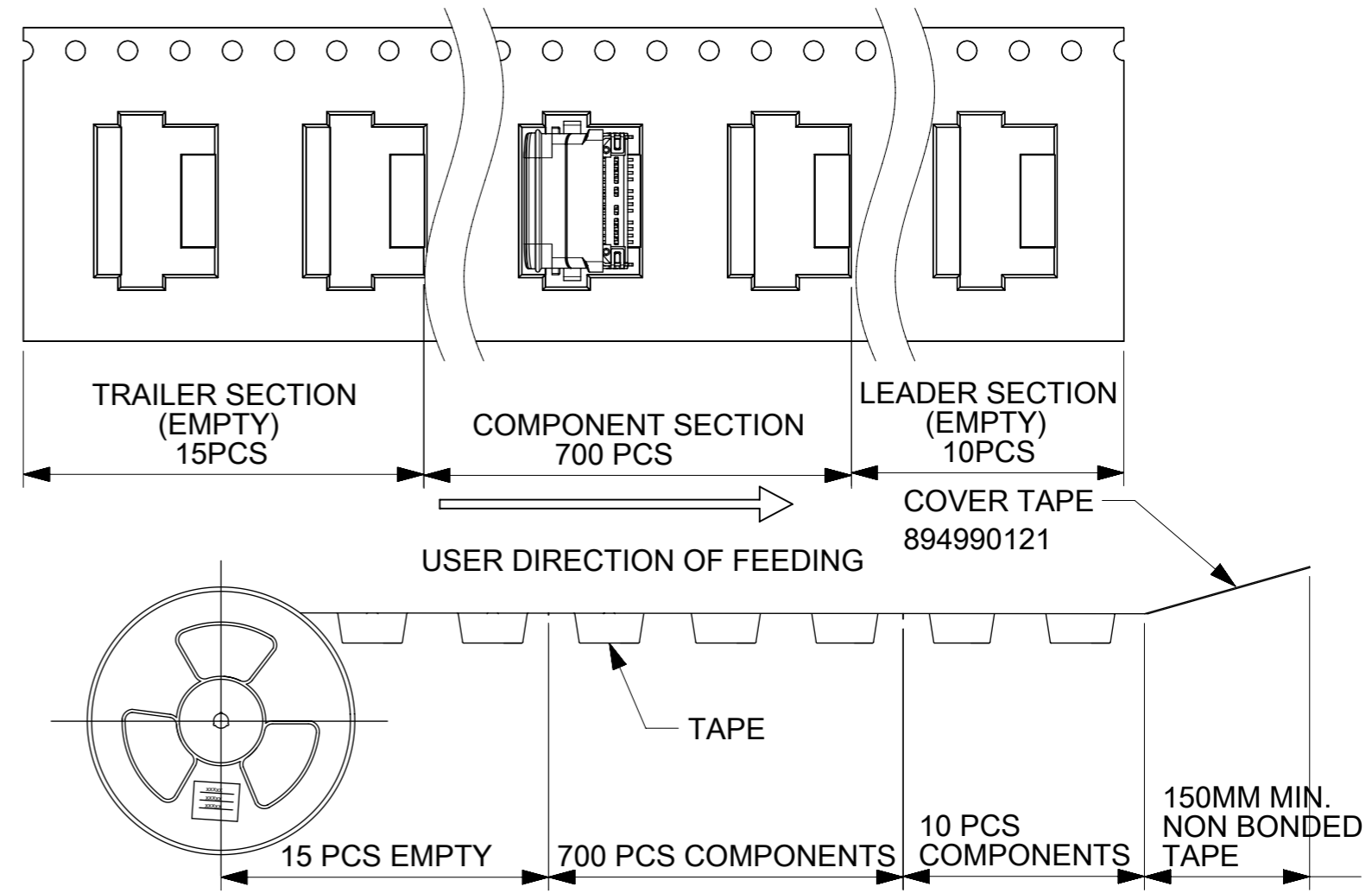
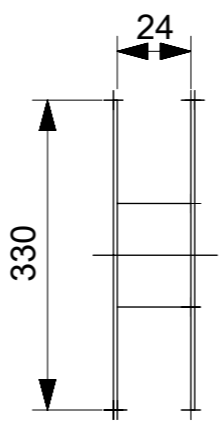
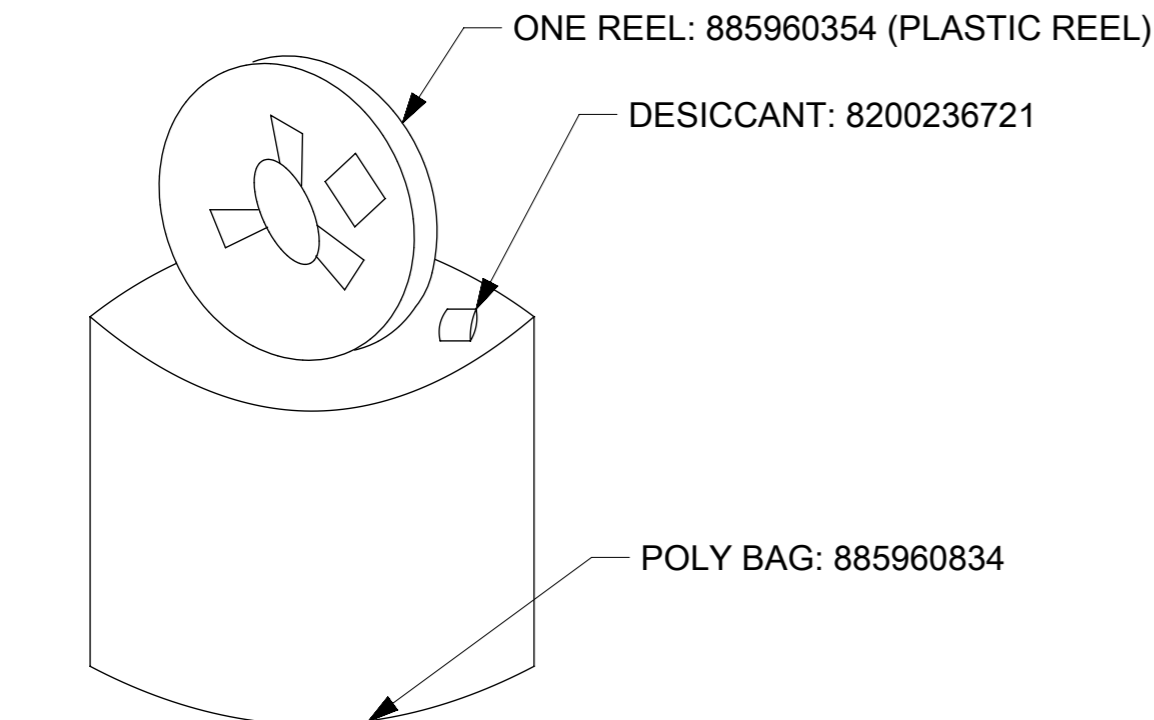
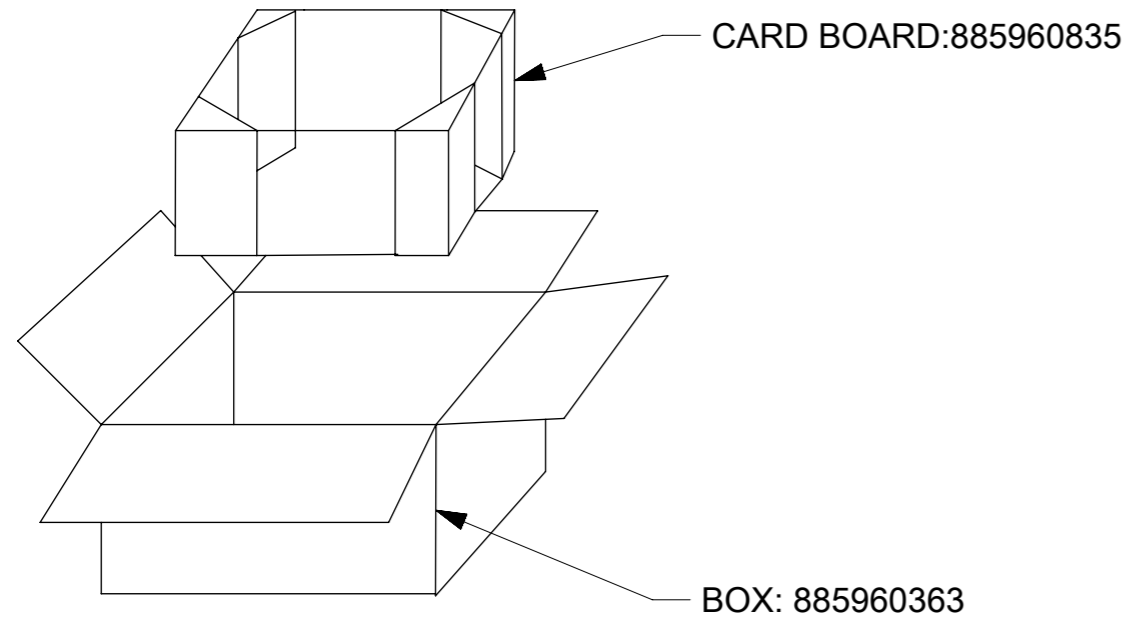
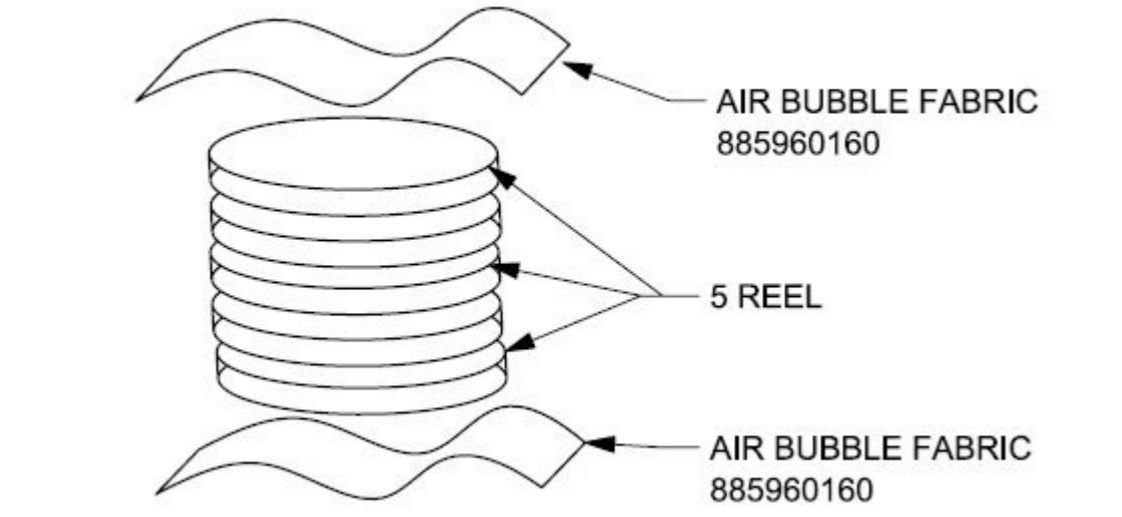
NOTES:

1. MATERIAL: 0.40±0.05MM, CLEAR.
2. ALL DIMENSIONS ARE IN MILLIMETERS.
3. ALL RADII ARE TO BE R0.3 MAX UNLESS OTHERWISE SPECIFIED.

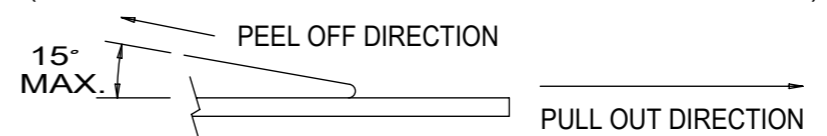
<b>QUALITY SYMBOLS</b> 	THIS DRAWING CONTAINS INFORMATION THAT IS PROPRIETARY TO MOLEX ELECTRONIC TECHNOLOGIES, LLC AND SHOULD NOT BE USED WITHOUT WRITTEN PERMISSION										
	2017/05/03 2017/08/07	GENERAL TOLERANCES (UNLESS SPECIFIED)		DIMENSION UNITS	SCALE						
		ANGULAR TOL ± °		MM	2.5:1						
	4 PLACES ±	RLI09		DATE	PK FOR 24 PIN TYPE C _ GENERAL MKT						
	3 PLACES ±	RZHANG		DATE	PACKAGING DESIGN DRAWING						
	2 PLACES ± 0.3	RZHANG		DATE	SERIES	MATERIAL NUMBER	CUSTOMER				
	1 PLACE ± 0.3	RZHANG		DATE	202410	2024100002					
	0 PLACES ±	RZHANG		DATE	2024100007	PDD	000	SHEET NUMBER			
	DRAFT WHERE APPLICABLE MUST REMAIN WITHIN DIMENSIONS		DRAWING SIZE	THIRD ANGLE PROJECTION							
	A3										

E

E



- NOTES:
1. PEELING OFF FORCE OF THE TOP TAPE: 10 - 130gf. (PEELING DIRECTION AS SHOWN IN FOLLOWING FIGURE)
  2. TAPE AND REEL SPECIFICATION IS AS PER EIA-481.
  3. TAPE AND REEL QUANTITY : 700 PCS/ REEL.
  4. SHIPPING CARTON QUANTITY: 3500 PCS/CARTON.
  5. THE TAPE IS TREATED FOR ANTI-STATIC.



MOLEX P/N	TAPE P/N	Q'TY/REEL	REEL/BOX	Q'TY/CARTON
2024100002	885961448	700 PCS	5	3500 PCS

RELEASE STATUS	P1	RELEASE DATE	07.08.2017	05:09:46
----------------	----	--------------	------------	----------

THIS DRAWING CONTAINS INFORMATION THAT IS PROPRIETARY TO MOLEX ELECTRONIC TECHNOLOGIES, LLC AND SHOULD NOT BE USED WITHOUT WRITTEN PERMISSION										
QUALITY SYMBOLS FA = 0 FE = 0 FP = 0 VA = 0 VC = 0 X = 0 ■ = 0 V = 0	EC NO: 116656 DRWN: RLI09 CHK'D: REV APPR: RZHANG	2017/05/03 2017/08/07	GENERAL TOLERANCES (UNLESS SPECIFIED)		DIMENSION UNITS	SCALE				
			ANGULAR TOL ± °		MM	2:1				
			4 PLACES ±		DRWN BY	DATE	PK FOR 24 PIN TYPE C _ GENERAL MKT			
			3 PLACES ±		RLI09	2017/02/14				
2 PLACES ± 0.3		CHK'D BY	DATE	PACKAGING DESIGN DRAWING						
1 PLACE ± 0.3		RZHANG	2017/02/16							
0 PLACES ±		APPR BY	DATE	SERIES	MATERIAL NUMBER	CUSTOMER				
DRAFT WHERE APPLICABLE MUST REMAIN WITHIN DIMENSIONS		DRAWING SIZE	THIRD ANGLE PROJECTION	202410	2024100002					
		A3		DOCUMENT NUMBER		DOC TYPE	DOC PART	SHEET NUMBER		
		C	3	2024100007		PDD	000	2 OF 2		