

NOTICE OF REVISION (NOR)		1. DATE (YYMMDD) 96-10-29	Form Approved OMB No. 0704-0188
THIS REVISION DESCRIBED BELOW HAS BEEN AUTHORIZED FOR THE DOCUMENT LISTED.			
Public reporting burden for this collection is estimated to average 2 hours per response, including the time for reviewing instructions, searching existing data sources, gathering and maintaining the data needed, and completing and reviewing the collection of information. Send comments regarding this burden estimate or any other aspect of this collection of information, including suggestions for reducing this burden, to Department of Defense, Washington Headquarters Services, Directorate for Information Operations and Reports, 1215 Jefferson Davis Highway, Suite 1204, Arlington, VA 22202-4302, and to the Office of Management and Budget, Paperwork Reduction Project (0704-0188), Washington, DC 20503. PLEASE DO NOT RETURN YOUR COMPLETED FORM TO EITHER OF THESE ADDRESSES. RETURN COMPLETED FORM TO THE GOVERNMENT ISSUING CONTRACTING OFFICER FOR THE CONTRACT/PROCURING ACTIVITY NUMBER LISTED IN ITEM 2 OF THIS FORM.		2. PROCURING ACTIVITY NO.	
		3. DODAAC	
4. ORIGINATOR	b. ADDRESS (Street, City, State, Zip Code) Defense Supply Center Columbus 3990 East Broad St. Columbus, OH 43216-5000	5. CAGE CODE 67268	6. NOR NO. 5962-R043-97
a. TYPED NAME (First, Middle Initial, Last)		7. CAGE CODE 67268	8. DOCUMENT NO. 5962-90692
9. TITLE OF DOCUMENT MICROCIRCUIT, DIGITAL, CMOS, 16-BIT MICROCONTROLLER WITH ON CHIP EPROM, MONOLITHIC SILICON		10. REVISION LETTER	
		a. CURRENT B	b. NEW C
		11. ECP NO. N/A	
12. CONFIGURATION ITEM (OR SYSTEM) TO WHICH ECP APPLIES All			
13. DESCRIPTION OF REVISION			
<p>Sheet 1: Revisions ltr column; add "C". Revisions description column; add "Changes in accordance with NOR 5962-R043-97". Revisions date column; add "96-10-29". Revision level block; change from "B" to "C". Rev status of sheets; for sheet 1, 16 change from "B" to "C".</p> <p>Sheet 16: Change dimensions of Symbol A from: 0.80 min inches, 0.106 max inches, 2.03 min millimeters, 2.69 max millimeters to: 0.115 min inches, 0.145 max inches, 2.91 min millimeters, 3.68 max millimeters Change dimensions of Symbol D1 from: 0.935 min inches, 0.424 max inches, 23.75 min millimeters to: 0.926 min inches, 0.970 max inches, 23.52 min millimeters Change status of revision level to "C"</p>			
14. THIS SECTION FOR GOVERNMENT USE ONLY			
a. (X one)	X	(1) Existing document supplemented by the NOR may be used in manufacture.	
		(2) Revised document must be received before manufacturer may incorporate this change.	
		(3) Custodian of master document shall make above revision and furnish revised document.	
b. ACTIVITY AUTHORIZED TO APPROVE CHANGE FOR GOVERNMENT DSCC-VAC		c. TYPED NAME (First, Middle Initial, Last) Monica L. Poelking	
d. TITLE Chief, Custom Microelectronics	e. SIGNATURE Monica L. Poelking		f. DATE SIGNED (YYMMDD) 96-10-29
15a. ACTIVITY ACCOMPLISHING REVISION DSCC-VAC	b. REVISION COMPLETED (Signature) Thomas M. Hess		c. DATE SIGNED (YYMMDD)s 96-10-29

REVISIONS

LTR	DESCRIPTION	DATE (YR-MO-DA)	APPROVED
A	Add device types 02 and 03. Editorial changes throughout.	95-03-29	Thomas M. Hess
B	Add device type 04. Editorial changes throughout.	96-02-07	Thomas M. Hess

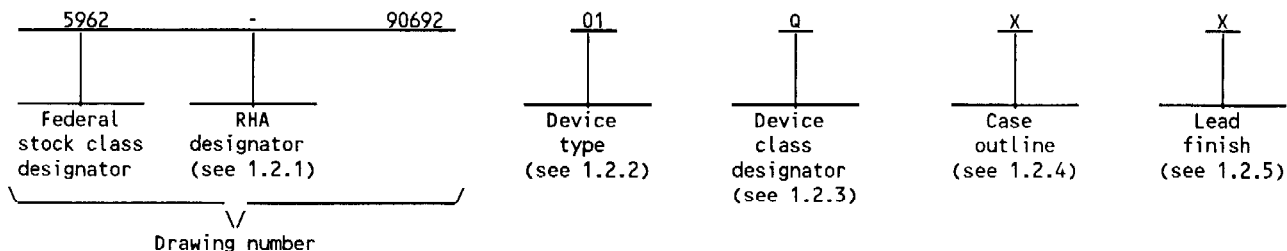
REV																				
SHEET																				
REV	B	B	B	B	B	B	B	B	B	B	B	B	B	B	B	B	B	B	B	B
SHEET	15	16	17	18	19	20	21	22	23	24	25	26	27	28	29	30	31	32	33	34
REV STATUS OF SHEETS	REV			B	B	B	B	B	B	B	B	B	B	B	B	B	B	B	B	B
	SHEET			1	2	3	4	5	6	7	8	9	10	11	12	13	14			

<p>PMIC N/A</p> <p>STANDARD MICROCIRCUIT DRAWING</p> <p>THIS DRAWING IS AVAILABLE FOR USE BY ALL DEPARTMENTS AND AGENCIES OF THE DEPARTMENT OF DEFENSE</p> <p>AMSC N/A</p>	PREPARED BY Christopher A. Rauch		DEFENSE ELECTRONICS SUPPLY CENTER DAYTON, OHIO 45444																
	CHECKED BY Tim Noh		MICROCIRCUIT, DIGITAL, CMOS, 16-BIT MICROCONTROLLER WITH ON CHIP EPROM, MONOLITHIC SILICON																
	APPROVED BY Monica L. Poelking																		
	DRAWING APPROVAL DATE 91-11-18																		
	REVISION LEVEL B		SIZE A	CAGE CODE 67268	5962-90692														
		SHEET 1 OF 34																	

1. SCOPE

1.1 Scope. This drawing documents two product assurance class levels consisting of high reliability (device classes Q and M) and space application (device class V). A choice of case outlines and lead finishes are available and are reflected in the Part or Identifying Number (PIN). When available, a choice of Radiation Hardness Assurance (RHA) levels are reflected in the PIN.

1.2 PIN. The PIN is as shown in the following example:



1.2.1 RHA designator. Device classes Q and V RHA marked devices meet the MIL-PRF-38535 specified RHA levels and are marked with the appropriate RHA designator. Device class M RHA marked devices meet the MIL-PRF-38535, appendix A specified RHA levels and are marked with the appropriate RHA designator. A dash (-) indicates a non-RHA device.

1.2.2 Device type(s). The device type(s) identify the circuit function as follows:

<u>Device type</u>	<u>Generic number</u>	<u>Circuit function</u>
01	87C196KC	16 MHz CMOS 16-bit, microcontroller with 16 k bytes of on-chip EPROM and 512 byte register file.
02	87C196KD	16 MHz CMOS 16-bit, microcontroller with 32 k bytes of on-chip EPROM and 1024 byte register RAM.
03	87C196KD	20 MHz CMOS 16-bit microcontroller with 32 k bytes of on-chip EPROM and 1024 byte register RAM.
04	87C196KC	16 MHz CMOS 16-bit, microcontroller with 16 k bytes of on-chip EPROM and 512 byte register file. 1/

1.2.3 Device class designator. The device class designator is a single letter identifying the product assurance level as follows:

<u>Device class</u>	<u>Device requirements documentation</u>
M	Vendor self-certification to the requirements for MIL-STD-883 compliant, non-JAN class level B microcircuits in accordance with MIL-PRF-38535, appendix A
Q or V	Certification and qualification to MIL-PRF-38535

1.2.4 Case outline(s). The case outline(s) are as designated in MIL-STD-1835 and as follows:

<u>Outline letter</u>	<u>Descriptive designator</u>	<u>Terminals</u>	<u>Package style</u>
X	CMGA3-P68	68	Pin grid array 2/
Y	See figure 1	68	Ceramic quad flat 2/

1.2.5 Lead finish. The lead finish is as specified in MIL-PRF-38535 for device classes Q and V or MIL-PRF-38535, appendix A for device class M.

1/ Device type 01 and 04 are not 100% interchangeable. Device type 04 is the result of a die mask change, see table I for electrical performance differences.

2/ Lid shall be transparent to permit ultraviolet light erasure.

STANDARD MICROCIRCUIT DRAWING DEFENSE ELECTRONICS SUPPLY CENTER DAYTON, OHIO 45444	SIZE A		5962-90692
		REVISION LEVEL	SHEET 2

1.3 Absolute maximum ratings. 3/

Storage temperature range	-65°C to +150°C
Voltage on any pin with respect to ground range	-0.5 V dc to +7.0 V dc
Power dissipation (P _D)	1.5 W
Lead temperature (soldering, 10 seconds)	+265°C
Thermal resistance, junction-to-case (θ _{JC}):	
Case X	See MIL-STD-1835
Case Y	9.0°C/W
Junction temperature (T _J)	+150°C

1.4 Recommended operating conditions.

Case operating temperature range	-55°C to +125°C
Supply voltage range V _{CC}	+5.0 V dc ±10%
Analog supply voltage, V _{REF}	+5.0 V dc ±10%
Oscillator frequency, F _{OSC}	
Device 01, 02, 04	3.5 to 16 MHz
Device 03	3.5 to 20 MHz

1.5 Digital logic testing for device classes Q and V.

Fault coverage measurement of manufacturing logic tests (MIL-STD-883, test method 5012) 80 percent

2. APPLICABLE DOCUMENTS

2.1 Government specification, standards, and handbooks. The following specification, standards, and handbooks form a part of this drawing to the extent specified herein. Unless otherwise specified, the issues of these documents are those listed in the issue of the Department of Defense Index of Specifications and Standards (DoDISS) and supplement thereto, cited in the solicitation.

SPECIFICATION

MILITARY

MIL-PRF-38535 - Integrated Circuits, Manufacturing, General Specification for.

STANDARDS

MILITARY

- MIL-STD-883 - Test Methods and Procedures for Microelectronics.
- MIL-STD-973 - Configuration Management.
- MIL-STD-1835 - Microcircuit Case Outlines.

HANDBOOKS

MILITARY

- MIL-HDBK-103 - List of Standard Microcircuit Drawings (SMD's).
- MIL-HDBK-780 - Standard Microcircuit Drawings.

(Unless otherwise indicated, copies of the specification, standards, and handbooks are available from the Standardization Document Order Desk, 700 Robbins Avenue, Building 4D, Philadelphia, PA 19111-5094.)

2.2 Order of precedence. In the event of a conflict between the text of this drawing and the references cited herein, the text of this drawing takes precedence. Nothing in this document, however, supersedes applicable laws and regulations unless a specific exemption has been obtained.

3/ Stresses above the absolute maximum rating may cause permanent damage to the device. Extended operation at the maximum levels may degrade performance and affect reliability.

STANDARD MICROCIRCUIT DRAWING DEFENSE ELECTRONICS SUPPLY CENTER DAYTON, OHIO 45444	SIZE A		5962-90692
		REVISION LEVEL	SHEET 3

3. REQUIREMENTS

3.1 Item requirements. The individual item requirements for device classes Q and V shall be in accordance with MIL-PRF-38535 and as specified herein or as modified in the device manufacturer's Quality Management (QM) plan. The modification in the QM plan shall not affect the form, fit, or function as described herein. The individual item requirements for device class M shall be in accordance with MIL-PRF-38535, appendix A for non-JAN class level B devices and as specified herein.

3.2 Design, construction, and physical dimensions. The design, construction, and physical dimensions shall be as specified in MIL-PRF-38535 and herein for device classes Q and V or MIL-PRF-38535, appendix A and herein for device class M.

3.2.1 Case outline(s). The case outline(s) shall be in accordance with 1.2.4 herein and figure 1.

3.2.2 Terminal connections. The terminal connections shall be as specified on figure 2.

3.2.3 Functional block diagram. The block diagram shall be as specified on figure 3.

3.2.4 EPROM programming waveforms. The EPROM program programming waveforms shall be as specified in figure 5.

3.2.5 Radiation exposure circuit. The radiation exposure circuit shall be as specified when available.

3.3 Electrical performance characteristics and postirradiation parameter limits. Unless otherwise specified herein, the electrical performance characteristics and postirradiation parameter limits are as specified in table I and shall apply over the full case operating temperature range.

3.4 Electrical test requirements. The electrical test requirements shall be the subgroups specified in table II. The electrical tests for each subgroup are defined in table I.

3.5 Marking. The part shall be marked with the PIN listed in 1.2 herein. In addition, the manufacturer's PIN may also be marked as listed in MIL-HDBK-103. For packages where marking of the entire SMD PIN number is not feasible due to space limitations, the manufacturer has the option of not marking the "5962-" on the device. For RHA product using this option, the RHA designator shall still be marked. Marking for device classes Q and V shall be in accordance with MIL-PRF-38535. Marking for device class M shall be in accordance with MIL-PRF-38535, appendix A.

3.5.1 Certification/compliance mark. The certification mark for device classes Q and V shall be a "QML" or "Q" as required in MIL-PRF-38535. The compliance mark for device class M shall be a "C" as required in MIL-PRF-38535, appendix A.

3.6 Certificate of compliance. For device classes Q and V, a certificate of compliance shall be required from a QML-38535 listed manufacturer in order to supply to the requirements of this drawing (see 6.6.1 herein). For device class M, a certificate of compliance shall be required from a manufacturer in order to be listed as an approved source of supply in MIL-HDBK-103 (see 6.6.2 herein). The certificate of compliance submitted to DESC-EC prior to listing as an approved source of supply for this drawing shall affirm that the manufacturer's product meets, for device classes Q and V, the requirements of MIL-PRF-38535 and herein or for device class M, the requirements of MIL-PRF-38535, appendix A and herein.

3.7 Certificate of conformance. A certificate of conformance as required for device classes Q and V in MIL-PRF-38535 or for device class M in MIL-PRF-38535, appendix A shall be provided with each lot of microcircuits delivered to this drawing.

3.8 Notification of change for device class M. For device class M, notification to DESC-EC of change of product (see 6.2 herein) involving devices acquired to this drawing is required for any change as defined in MIL-STD-973.

3.9 Verification and review for device class M. For device class M, DESC, DESC's agent, and the acquiring activity retain the option to review the manufacturer's facility and applicable required documentation. Offshore documentation shall be made available onshore at the option of the reviewer.

3.10 Microcircuit group assignment for device class M. Device class M devices covered by this drawing shall be in microcircuit group number 105 (see MIL-PRF-38535, appendix A).

3.11 Processing EPROMS. All testing requirements and quality assurance provisions herein shall be satisfied by the manufacturer prior to delivery.

3.11.1 Eraseure of EPROMS. When specified, devices shall be erased in accordance with the procedures and characteristics specified in 4.5.

STANDARD MICROCIRCUIT DRAWING DEFENSE ELECTRONICS SUPPLY CENTER DAYTON, OHIO 45444	SIZE A		5962-90692
		REVISION LEVEL	SHEET 4

TABLE I. Electrical performance characteristics.

Test	Symbol	Conditions -55°C ≤ T _C ≤ +125°C unless otherwise specified 4.5 V ≤ V _{CC} ≤ 5.5 V 1/		Group A subgroups	Device type	Limits		Unit
						Min	Max	
Input low voltage	V _{IL}			1,2,3	All	-0.5 2/	0.8	V
Input high voltage all except RESET, XTALI and EA	V _{IH}					0.2V _{CC} +1.0	V _{CC} 2/	
Input high voltage on XTALI and EA	V _{IH1}					0.7V _{CC}	V _{CC} 2/	
Input high voltage on RESET	V _{IH2}				01-03 04	2.2 2.32	V _{CC} 2/	
Output low voltage	V _{OL}	I _{OL} = 200 μA I _{OL} = 2.8 mA I _{OL} = 7 mA	V _{CC} = 4.5 V V _{IN} = 0.8 V	1, 2, 3	All		0.3 0.45 1.50	
Output low voltage in RESET on P2.5	V _{OL1} 3/	I _{OL} = +0.4 mA					0.8	
Output high voltage (std outputs)	V _{OH}	I _{OH} = 200 μA I _{OH} = -3.2 mA I _{OH} = -7 mA					V _{CC} -0.3 V _{CC} -0.7 V _{CC} -1.5	
Output high voltage (Quasi- bidirectional outputs)	V _{OH1}	I _{OH} = -10 μA I _{OH} = -30 μA I _{OH} = -60 μA					V _{CC} -0.3 V _{CC} -0.7 V _{CC} -1.5	
Output high voltage in RESET on P2.0	V _{OH2} 3/	I _{OH} = -0.8 mA			2.0			
Input leakage current (std inputs except NM1)	I _{LI}	V _{IN} = 0.0 V		1, 2, 3			-10	μA
		V _{IN} = 5.20 V					+10	
Input leakage current (port 0)	I _{LI1}	0 ≤ V _{IN} ≤ V _{REF}					±3	

See footnotes at end of table.

STANDARD MICROCIRCUIT DRAWING DEFENSE ELECTRONICS SUPPLY CENTER DAYTON, OHIO 45444	SIZE A		5962-90692
		REVISION LEVEL	SHEET 5

TABLE I. Electrical performance characteristics - Continued.

Test	Symbol	Conditions -55°C ≤ T _C ≤ +125°C unless otherwise specified 4.5 V ≤ V _{CC} ≤ 5.5 V 1/	Group A subgroups	Device type	Limits		Unit
					Min	Max	
1 to 0 transition current (QBD pins)	I _{TL}	V _{IN} = 2.0 V	1,2,3	All		-650	μA
Logical 0 input current (QBD pins)	I _{IL}	V _{IN} = 0.45 V				-70	
Logical 1 input current (NMI)	I _{IH}	V _{IN} = V _{CC} - 0.3 V				+250	
Active mode current in reset	I _{CC}	XTAL1 = f _{XTAL} V _{CC} = V _{PP} = V _{REF} = 5.5 V	4,5,6	01-02		75	mA
				03		93	
				04		75	
A/D converter reference current	I _{REF}	V _{CC} = V _{PP} = V _{REF} = 5.5 V	1,2,3	All		5	
Idle mode current	I _{IDLE}	V _{CC} = V _{PP} = V _{REF} = 5.5 V XTAL1 = 16 MHz	4,5,6	01,02, 04		30	
		V _{CC} = V _{PP} = V _{REF} = 5.5 V XTAL1 = 20 MHz		03			
Powerdown mode current	I _{PD}	V _{CC} = V _{PP} = V _{REF} = 5.5 V		All		70	μA
Reset pull-up resistor 2/	R _{RST}	V _{CC} = 5.5 V, V _{IN} = 4.0 V	1,2,3		6k	65k	Ω
Pin capacitance 2/ (any pin to V _{SS})	C _S	See 4.4.1c	4			10	pF
Functional testing		See 4.4.1d	7,8				
Address valid to READY set-up	t _{AVVY}	Capacitive load on all pins = 100 pF, F _{OSC} = 16 MHz rise and fall times = 10 ns See figure 4, Ready and bus timing	9,10,11	All		2t _{OSC} -75	ns
ALE low to READY set-up	t _{LLYV}			01-03		t _{OSC} -70	
				04		t _{OSC} -75	
READY hold after CLKOUT low 4/	t _{CLYX}			All	0	t _{OSC} -30	

See footnotes at end of table.

STANDARD
MICROCIRCUIT DRAWING
DEFENSE ELECTRONICS SUPPLY CENTER
DAYTON, OHIO 45444

SIZE
A

5962-90692

REVISION LEVEL

SHEET

6

TABLE I. Electrical performance characteristics - Continued.

Test	Symbol	Conditions -55°C ≤ T _C ≤ +125°C unless otherwise specified 4.5 V ≤ V _{CC} ≤ 5.5 V 1/	Group A subgroups	Device type	Limits		Unit		
					Min	Max			
Ready hold after ALE low 4/	t _{LLYX}	Capacitive load on all pins = 100 pF, F _{OSC} = 16 MHz rise and fall times = 10 ns See figure 4, Ready and bus timing	9,10,11	All	t _{OSC} -15	2t _{OSC} -40	ns		
Address valid to BUSWIDTH set-up	t _{AVGV}					2t _{OSC} -75			
ALE low to BUSWIDTH set-up	t _{LLGV}				01-03	t _{OSC} -60			
					04	t _{OSC} -65			
BUSWIDTH hold after CLKOUT low	t _{CLGX}				All	0			
Address valid to input data valid 5/	t _{AVDV}					3t _{OSC} -55			
RD active to input data valid 5/	t _{RLDV}				01-03	t _{OSC} -22			
					04	t _{OSC} -26			
CLKOUT low to input data valid	t _{CLDV}				All	t _{OSC} -50			
End of RD to input data float	t _{RHDZ}				01-03	t _{OSC}			
					04	t _{OSC} -5			
Data hold after RD inactive	t _{RDX}				All	0			
Frequency of XTAL1	f _{XTAL}				01,02 04	3.5		16	MHz
Frequency of XTAL1	f _{XTAL}				03	3.5		20	MHz
1/f _{XTAL}	t _{OSC}				01,02 04	62.5		286	ns
1/f _{XTAL}	t _{OSC}	03	50	286					
XTAL1 high to CLKOUT high or low	t _{XHCH}	All	10	110					
CLKOUT cycle time 2/	t _{CLCL}		2t _{OSC}	2t _{OSC}					

See footnotes at end of table.

STANDARD MICROCIRCUIT DRAWING DEFENSE ELECTRONICS SUPPLY CENTER DAYTON, OHIO 45444	SIZE A		5962-90692
		REVISION LEVEL	SHEET 7

TABLE I. Electrical performance characteristics - Continued.

Test	Symbol	Conditions -55°C ≤ T _C ≤ +125°C unless otherwise specified 4.5 V ≤ V _{CC} ≤ 5.5 V 1/	Group A subgroups	Device type	Limits		Unit	
					Min	Max		
CLKOUT high period set-up	t _{CHCL}	Capacitive load on all pins = 100 pF, F _{OSC} = 16 MHz rise and fall times = 10 ns See figure 4, Ready and bus timing	9,10,11	All	t _{OSC} -10	t _{OSC} +20	ns	
CLKOUT falling edge to ALE rising	t _{CLLH}				-5	15		
ALE falling edge to CLKOUT rising	t _{LLCH}				01-03	20		+15
					04	-29		+15
ALE cycle time 2/ 5/	t _{LHLH}				All	4t _{OSC}		4t _{OSC}
ALE high period	t _{LHLL}				01-03	t _{OSC} -10		t _{OSC} +10
					04	t _{OSC} -10		t _{OSC} +15
Address set-up to ALE falling edge	t _{AVLL}				All	t _{OSC} -15		
Address hold after ALE falling edge	t _{LLAX}				01-03	t _{OSC} -40		
					04	t _{OSC} -49		
ALE falling edge to RD falling edge	t _{LLRL}				01-03	t _{OSC} -30		
					04	t _{OSC} -36		
RD low to CLKOUT falling edge	t _{RLCL}				All	0		30
RD low period 5/	t _{RLRH}					t _{OSC} -5		
RD rising edge to ALE rising edge 6/	t _{RHLH}					t _{OSC}		t _{OSC} +25
RD low to address float	t _{RLAZ}	01		10				
		02,03		30				
		04		15				
ALE falling edge to WR falling edge	t _{LLWL}	All	t _{OSC} -10					

See footnotes at end of table.

STANDARD MICROCIRCUIT DRAWING DEFENSE ELECTRONICS SUPPLY CENTER DAYTON, OHIO 45444	SIZE A		5962-90692
		REVISION LEVEL	SHEET 8

TABLE I. Electrical performance characteristics - Continued.

Test	Symbol	Conditions -55°C ≤ T _C ≤ +125°C unless otherwise specified 4.5 V ≤ V _{CC} ≤ 5.5 V 1/	Group A subgroups	Device type	Limits		Unit	
					Min	Max		
CLKOUT low to WR falling edge	t _{CLWL}	Capacitive load on all pins = 100 pF, F _{OSC} = 16 MHz rise and fall times = 10 ns See figure 4, Ready and bus timing	9,10,11	All	0	25	ns	
Data stable to WR rising edge	t _{QVWH}				t _{osc} -23			
CLKOUT high to WR rising edge	t _{CHWH}				-10	15		
WR low period 5/	t _{WLWH}				t _{osc} -30			
Data hold after WR rising edge	t _{WHQX}				01-03	t _{osc} -25		
					04	t _{osc} -30		
WR rising edge to ALE rising edge 6/	t _{WHLH}				All	t _{osc} -10		t _{osc} +15
BHE, INST after WR rising edge	t _{WHBX}					t _{osc} -10		
AD8-15 hold after WR rising 7/	t _{WHAX}					t _{osc} -50		
BHE, INST after RD rising edge	t _{RHBX}					t _{osc} -10		
AD8-15 hold after RD rising 7/	t _{RHAX}					t _{osc} -25		
HOLD set-up 8/	t _{HVCH}				See figure 4, HOLD/HLDA timings	55		
CLKOUT low to HLDA low	t _{CLHAL}					-15		15
CLKOUT low to BREQ low 2/	t _{CLBRL}					-15		15

See footnotes at end of table.

STANDARD MICROCIRCUIT DRAWING DEFENSE ELECTRONICS SUPPLY CENTER DAYTON, OHIO 45444	SIZE A		5962-90692
		REVISION LEVEL	SHEET 9

TABLE I. Electrical performance characteristics - Continued.

Test	Symbol	Conditions -55°C ≤ T _C ≤ +125°C unless otherwise specified 4.5 V ≤ V _{CC} ≤ 5.5 V 1/	Group A subgroups	Device type	Limits		Unit	
					Min	Max		
HLDA low to address float	t _{HALAZ}	See figure 4, HOLD/HLDA timings	9,10,11	All		10		
HLDA low to BHE, INST, RD, WR weakly driven	t _{HALBZ}			01-03		10		
				04		15		
CLKOUT low to HLDA high	t _{CLHAH}			All		-15		15
CLKOUT low to BREQ high 2/	t _{CLBRH}					-15		15
HLDA high to address no longer float	t _{HAHAX}			01=03		-10		
				04		-15		
HLDA high to BHE, INST, RD, WR valid	t _{HAHBV}			All		-10		
CLKOUT low to ALE high	t _{CLLH}			-5	15			
Oscillator frequency	1/t _{XLXL}	See figure 4, External clock drive timings	9, 10, 11	01,02 04	3.5	16	MHz	
				03	3.5	20		
Oscillator period	t _{XLXL}			01,02 04	62.5	286	ns	
				03	50	286		
High time	t _{XHXX}			01,02 04	22			
				03	17			
Low time	t _{XLXX}			01,02 04	22			
				03	17			
Rise time 2/	t _{XLXH}	All			10			
Fall time 2/	t _{XHXL}				10			

See footnotes at end of table.

STANDARD
MICROCIRCUIT DRAWING
DEFENSE ELECTRONICS SUPPLY CENTER
DAYTON, OHIO 45444

SIZE
A

5962-90692

REVISION LEVEL

SHEET

10

TABLE I. Electrical performance characteristics - Continued.

Test	Symbol	Conditions -55°C ≤ T _C ≤ +125°C unless otherwise specified 4.5 V ≤ V _{CC} ≤ 5.5 V 1/	Group A subgroups	Device type	Limits		Unit
					Min	Max	
Serial port clock period (BRR≥8002H)	t _{XLXL}	See figure 4, 2/ Serial port waveform shift register mode timings	9,10,11	All	6t _{osc}		ns
Serial port clock falling edge to rising edge (BRR≥8002H)	t _{XLXH}				4t _{osc} ±50		
Serial port clock period (BRR≥8001H)	t _{XLXL}				4t _{osc}		
Serial port clock falling edge to rising (BRR=8001H)	t _{XLXH}				2t _{osc} ±50		
Output data set-up to clock rising edge	t _{QVXH}				2t _{osc} -50		
Output data hold after clock rising edge	t _{XHQX}				2t _{osc} -50		
Next output data valid after clock rising edge	t _{XHQV}					2t _{osc} +50	
Input data set-up to clock rising edge	t _{DVXH}				t _{osc} +50		
Input data hold after clock rising edge	t _{XHDX}				0		
Last clock rising to output float	t _{XHQZ}					1t _{osc}	
Resolution		10-bit A/D converter characteristics	4, 5, 6	All	1024	1024	Levels
					10	10	bits
Absolute error					0	±8	LSBs
Full scale error					0	±3	

See footnotes at end of table.

STANDARD MICROCIRCUIT DRAWING DEFENSE ELECTRONICS SUPPLY CENTER DAYTON, OHIO 45444	SIZE A		5962-90692
		REVISION LEVEL	SHEET 11

TABLE I. Electrical performance characteristics - Continued.

Test	Symbol	Conditions -55°C ≤ T _C ≤ +125°C unless otherwise specified 4.5 V ≤ V _{CC} ≤ 5.5 V 1/	Group A subgroups	Device type	Limits		Unit	
					Min	Max		
Zero offset error		10-bit A/D converter characteristics	4, 5, 6	All	0	±3	LSBs	
Nonlinearity					0	±8		
Differential nonlinearity error					>-1	+2		
Channel to channel matching					0	+1		
Repeatability		10-bit converter 9/ characteristics				±0.25		
Temperature coefficients: offset, full scale, differential nonlinearity						0.009		LSB/°C
Off isolation		DC to 100 KHz Device 01, 04 only			-60		dB	
Feedthrough						-60		
V _{CC} power supply rejection						-60		
Input resistance					750	1.2 k	Ω	
DC input leakage					0	3.0	μA	
Sample time: prescaler on prescaler off					16 8		states	

See footnotes at end of table.

STANDARD MICROCIRCUIT DRAWING DEFENSE ELECTRONICS SUPPLY CENTER DAYTON, OHIO 45444	SIZE A		5962-90692
		REVISION LEVEL	SHEET 12

TABLE I. Electrical performance characteristics - Continued.

Test	Symbol	Conditions -55°C ≤ T _C ≤ +125°C unless otherwise specified 4.5 V ≤ V _{CC} ≤ 5.5 V 1/	Group A subgroups	Device type	Limits		Unit
					Min	Max	
Input capacitance		10-bit converter 2/ characteristics	4, 5, 6	All		3.0	pH
Resolution		8-bit A/D converter 2/ characteristics			256 8	256 8	Levels bits
Absolute error					0	±2	LSBs
Full scale error					0	±1	
Zero offset error					0	±2	
Nonlinearity					0	±2	
Differential nonlinearity error					>-1	+1	
Channel to channel matching					0	+1	
Repeatability						±0.25	
Temperature coefficients: offset, full scale, differential nonlinearity				0.003	LSB/°C		

See footnotes at end of table.

STANDARD
MICROCIRCUIT DRAWING
DEFENSE ELECTRONICS SUPPLY CENTER
DAYTON, OHIO 45444

SIZE
A

REVISION LEVEL

5962-90692

SHEET
13

TABLE I. Electrical performance characteristics - Continued.

1/ The following pins are active low: \overline{AVD} of $\overline{ALE/AVD}$, $\overline{BHE/WRH}$, \overline{EA} , \overline{RD} , \overline{RESET} , $\overline{WR/WRL}$. \overline{QBD} (Quasi-bidirectional) pins include Port 1, P2.6, and P2.7. Standard outputs include AD0-15, RD.WR, ALE, BHE, INST, HSO pins, PWM/P2.5, CLKOUT, RESET, Ports 3 and 4, TXD/P2.0 and RXD (in serial mode 0). The V_{OH} specification is not valid for RESET. Ports 3 and 4 are open drain outputs. Standard inputs include HSI pins, EA, READY, BUSWIDTH, NMI, RXD/P2.1, EXTINT/P2.2, T2CLK/P2.3, and T2RST/P2.4. Testing performed at 3.5 MHz. However, the device is static by design and will typically operate below 1 Hz. Maximum current per bus pin (data and control) during normal operation is ± 3.2 mA. Maximum current per pin must be externally limited to the following values if V_{OL} is held above 0.45 V or V_{OH} is held below $V_{CC} - 0.7$ V:

I_{OL} on output pins: 10 mA
 I_{OH} on quasi-bidirectional pins: self limiting
 I_{OH} on standard output pins: 10 mA

During normal (nontransient) conditions the follow total current limits apply:

Port 1, P2.6	I_{OL} : 29 mA	I_{OH} is self limiting
HSO, P2.0, RXD, RESET	I_{OL} : 29 mA	I_{OH} : 26 mA
P2.5, P2.7, WR, BHE	I_{OL} : 13 mA	I_{OH} : 11 mA
AD0-AD15	I_{OL} : 52 mA	I_{OH} : 52 mA
RD, ALE, INST-CLKOUT	I_{OL} : 13 mA	I_{OH} : 13 mA

Unless otherwise specified, all test conditions shall be worst conditions.

- 2/ Test initially and at process and design changes. Thereafter guaranteed. If not tested to the limits specified in table I.
- 3/ Violating these specifications in RESET may cause the part to enter test modes.
- 4/ If maximum is exceeded, additional wait states will occur.
- 5/ If wait states are used, add 2 TOSC*N, where N = number of wait states.
- 6/ Assuming back-to-back bus cycles.
- 7/ 8-bit bus only.
- 8/ To guarantee recognition at next clock.
- 9/ An LSB is rated as approximately 20 mV.

STANDARD MICROCIRCUIT DRAWING DEFENSE ELECTRONICS SUPPLY CENTER DAYTON, OHIO 45444	SIZE A		5962-90692
		REVISION LEVEL	SHEET 14

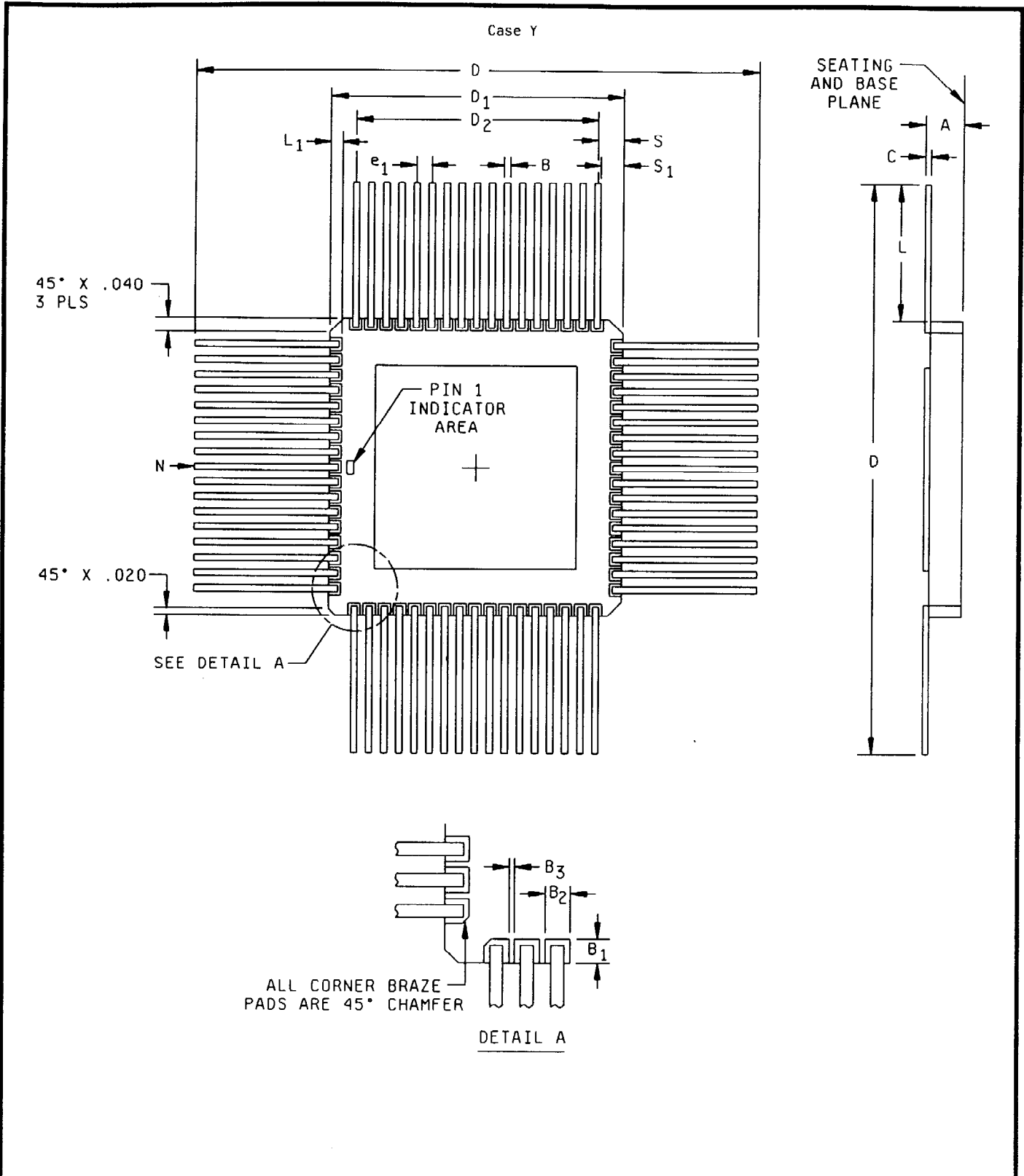


FIGURE 1. Case outline.

<p>STANDARD MICROCIRCUIT DRAWING DEFENSE ELECTRONICS SUPPLY CENTER DAYTON, OHIO 45444</p>	<p>SIZE A</p>		<p>5962-90692</p>
		<p>REVISION LEVEL</p>	<p>SHEET 15</p>

Case Y

Symbol	Inches		Millimeters	
	Minimum	Maximum	Minimum	Maximum
A	0.80	0.106	2.03	2.69
B	0.016	0.020	0.41	0.51
B1	0.040	0.060	1.02	1.52
B2	0.030	0.040	0.76	1.02
B3	0.005	0.020	0.13	0.51
C	0.008	0.012	0.20	0.31
D	1.640	1.870	41.66	47.50
D1	0.935	0.424	23.75	24.64
D2	0.800 BSC		20.32 BSC	
e1	0.050 BSC		1.27 BSC	
L	0.375	0.450	9.52	11.43
L1	0.040	0.060	1.02	1.52
N	68		68	
S	0.066	0.087	1.68	2.21
S1	0.050	---	1.27	---

FIGURE 1. Case outline - Continued.

STANDARD MICROCIRCUIT DRAWING DEFENSE ELECTRONICS SUPPLY CENTER DAYTON, OHIO 45444	SIZE A		5962-90692
		REVISION LEVEL	SHEET 16

Device types ALL					
Case outline X					
Terminal number	Terminal symbol	Terminal number	Terminal symbol	Terminal number	Terminal symbol
A02	ACH5/P0.5	C11	HS0.1	I10	$\overline{\text{WR/WRL}}$
A03	ANGND	D01	ACH1/P0.1	I11	$\overline{\text{BHE/WRH}}$
A04	V_{SS}	D02	ACH3/P0.3	J01	$\overline{\text{RD}}$
A05	RESET	D10	P1.5	J02	AD1/P3.1
A06	TXD/P2.0	D11	P1.6	J03	AD3/P3.3
A07	P1.1	E01	NMI	J04	AD5/P3.5
A08	P1.3	E02	$\overline{\text{EA}}$	J05	AD7/P3.7
A09	HS1.0	E10	P1.7	J06	AD9/P4.1
A10	HS0.4/HS1.2	E11	T2UP-DN/P2.6	J07	AD11/P4.3
B01	ACH7/P0.7	F01	V_{CC}	J08	AD13/P4.5
B02	ACH6/P0.6	F02	V_{SS}	J09	AD15/P4.7
B03	ACH4/P0.4	F10	HS0.2	J10	T2RST/P2.4/ $\overline{\text{AINC}}$
B04	V_{REF}	F11	HS0.3	J11	READY
B05	EXTINT/P2.2	G01	XTAL1	K02	AD0/P3.0
B06	RXD/P2.1	G02	XTAL2	K03	AD2/P3.2
B07	P1.0	G10	V_{SS}	K04	AD4/P3.4
B08	P1.2	G11	V_{pp}	K05	AD6/P3.6
B09	P1.4	H01	CLKOUT	K06	AD8/P4.0
B10	HS1.1	H02	BUSWIDTH	K07	AD10/P4.2
B11	HS0.5/HS1.3	H10	T2CAPTURE/P2.7/ $\overline{\text{PACT}}$	K08	AD12/P4.4
C01	ACH2/P0.2	H11	PWM/P2.5	K09	AD14/P4.6
C02	ACH0/P0.0	I01	INST	K10	T2CLK/P2.3
C10	HS0.0	I02	ALE/ $\overline{\text{ADV}}$		

FIGURE 2. Terminal connections.

STANDARD MICROCIRCUIT DRAWING DEFENSE ELECTRONICS SUPPLY CENTER DAYTON, OHIO 45444	SIZE A		5962-90692
		REVISION LEVEL	SHEET 17

Case Y

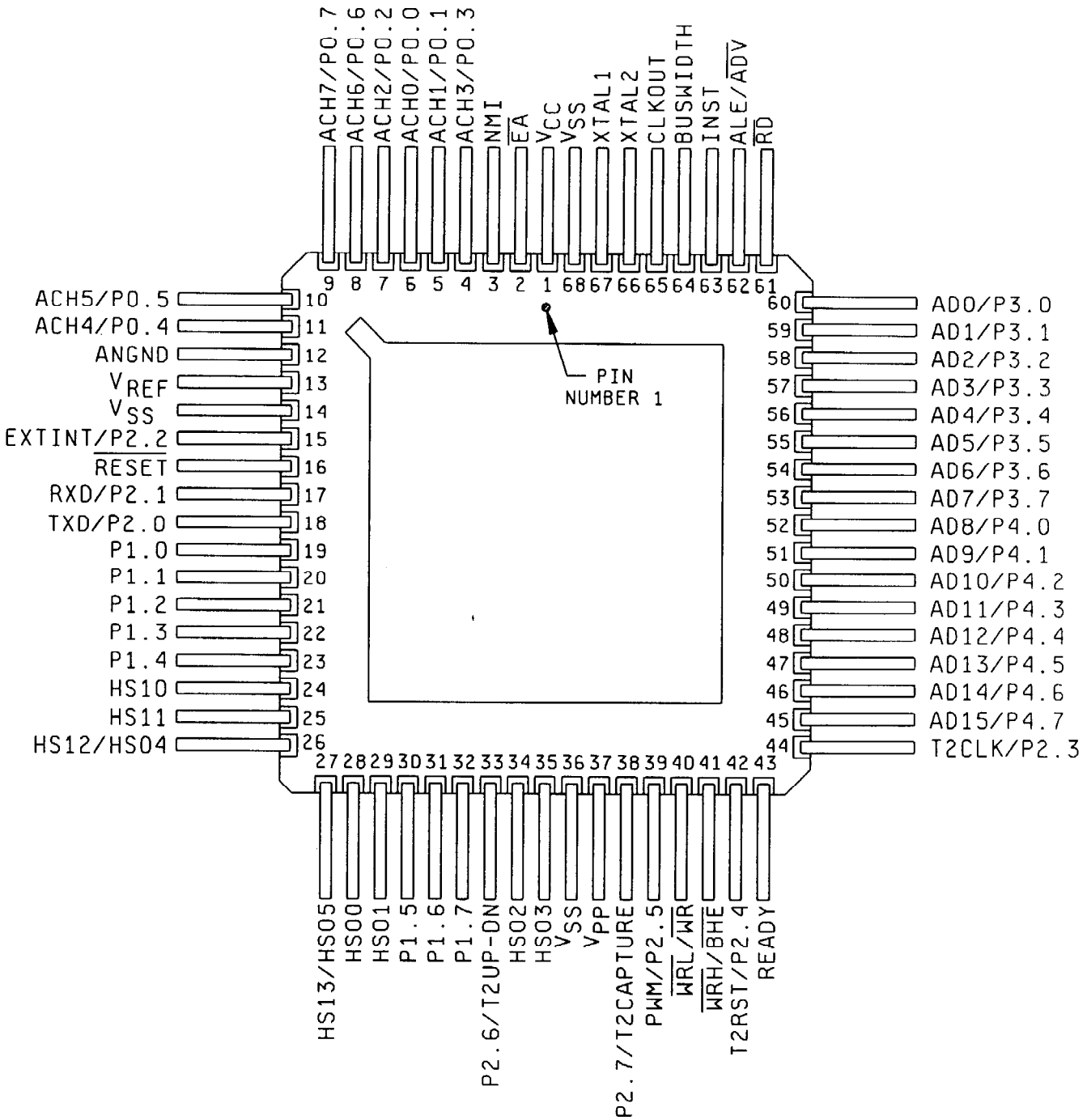


FIGURE 2. Terminal connections - Continued.

<p>STANDARD MICROCIRCUIT DRAWING DEFENSE ELECTRONICS SUPPLY CENTER DAYTON, OHIO 45444</p>	<p>SIZE A</p>		<p>5962-90692</p>
		<p>REVISION LEVEL</p>	<p>SHEET 18</p>

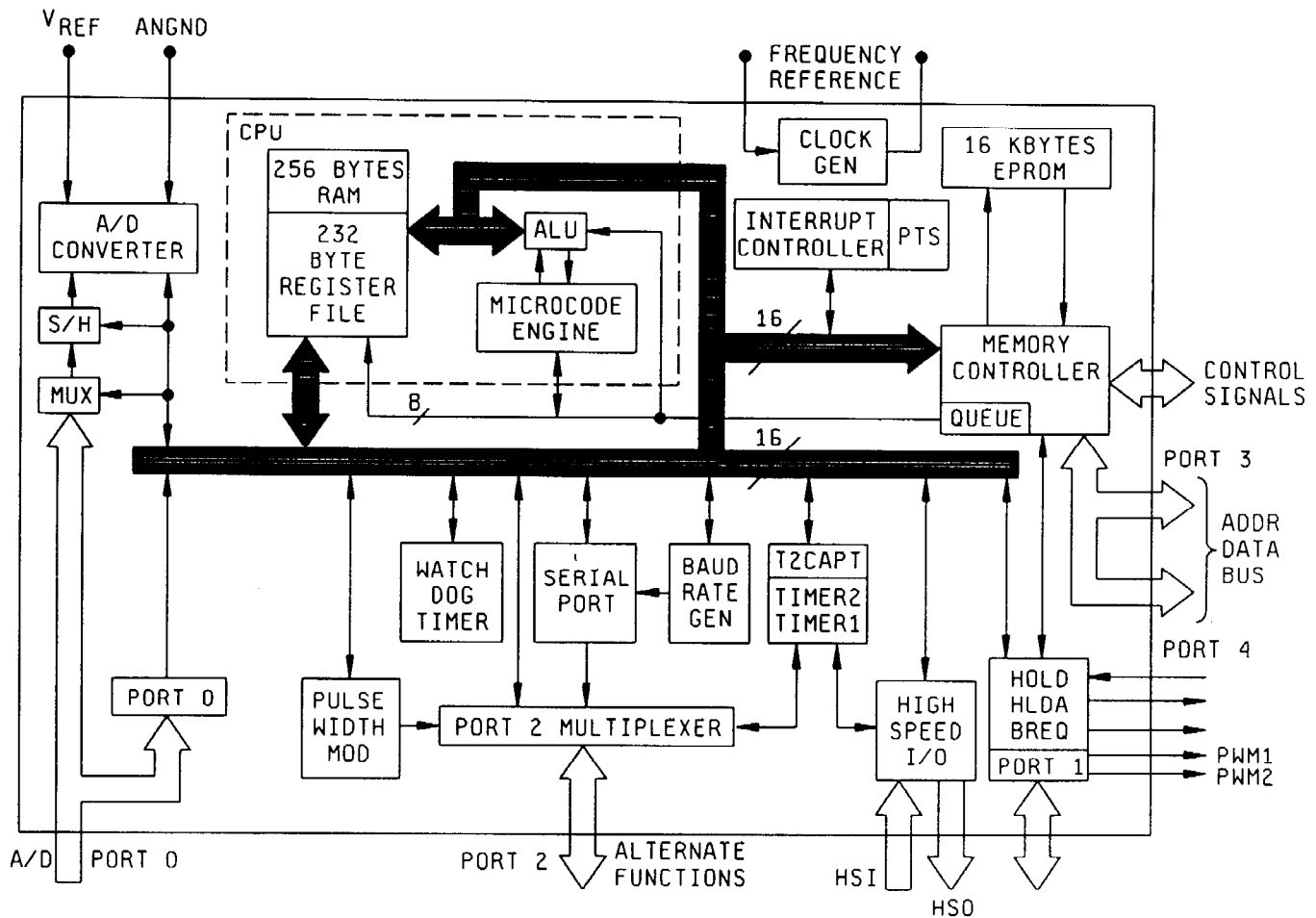


FIGURE 3. Functional block diagram.

STANDARD MICROCIRCUIT DRAWING DEFENSE ELECTRONICS SUPPLY CENTER DAYTON, OHIO 45444	SIZE A		5962-90692
		REVISION LEVEL	SHEET 19

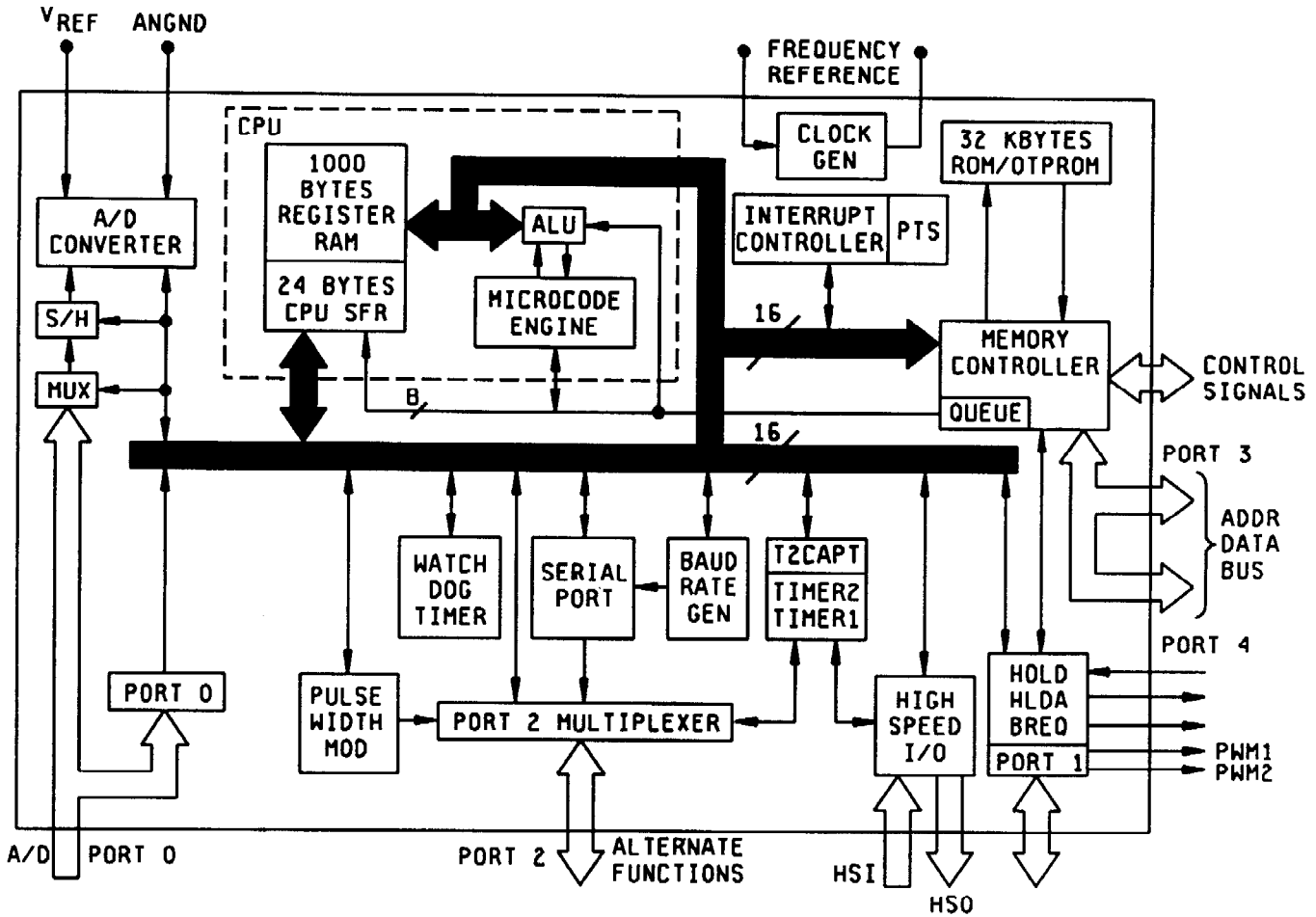


FIGURE 3. Functional block diagram - Continued.

STANDARD
MICROCIRCUIT DRAWING
DEFENSE ELECTRONICS SUPPLY CENTER
DAYTON, OHIO 45444

SIZE
A

5962-90692

REVISION LEVEL

SHEET

20

System bus timings

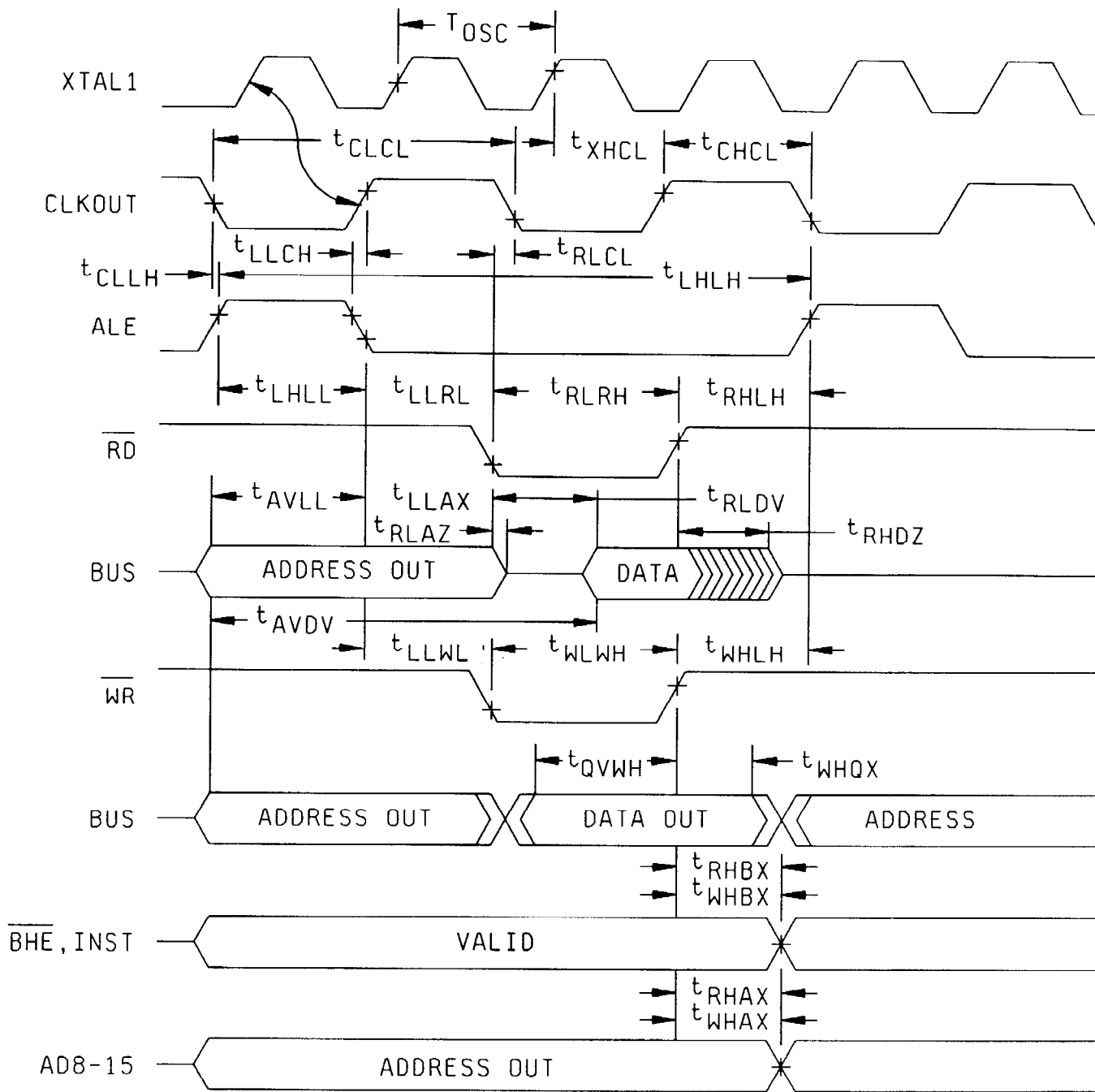
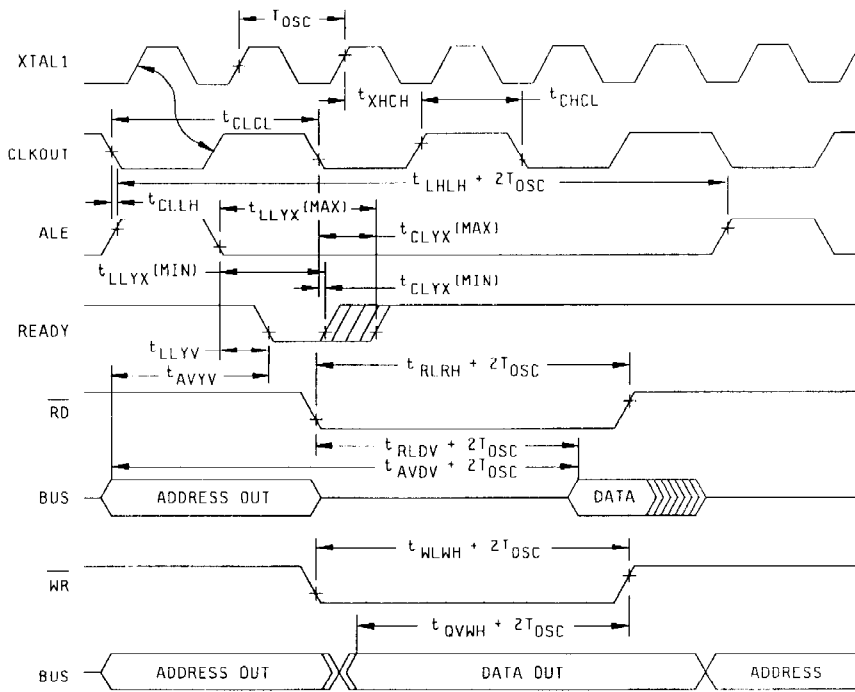


FIGURE 4. Test circuit and switching waveforms.

STANDARD MICROCIRCUIT DRAWING DEFENSE ELECTRONICS SUPPLY CENTER DAYTON, OHIO 45444	SIZE A		5962-90692
		REVISION LEVEL	SHEET 21

Ready timings (one waitstate)



Buswidth timings

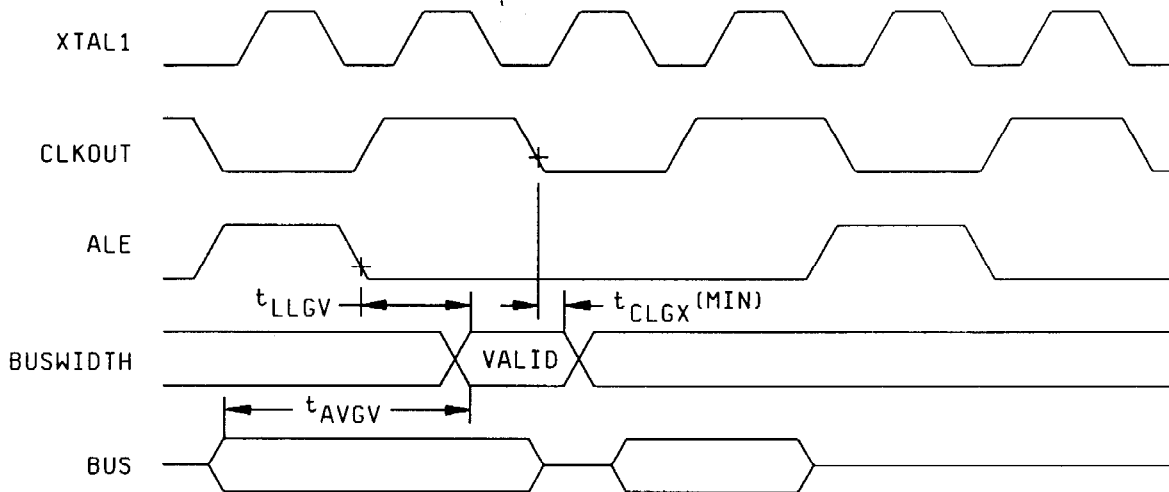
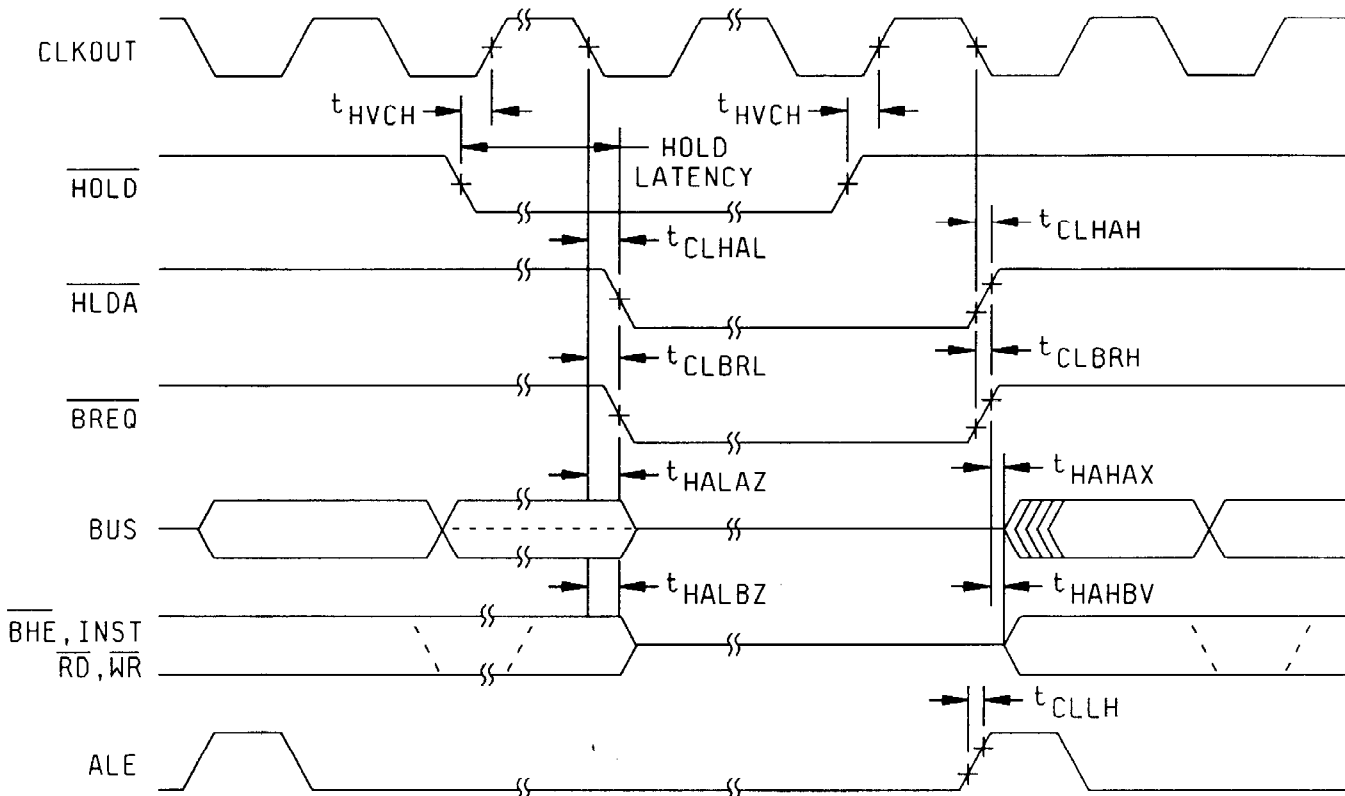


FIGURE 4. Test circuit and switching waveforms - Continued.

STANDARD MICROCIRCUIT DRAWING DEFENSE ELECTRONICS SUPPLY CENTER DAYTON, OHIO 45444	SIZE A		5962-90692
		REVISION LEVEL	SHEET 22

HOLD/HLDA timings



External clock driven waveforms

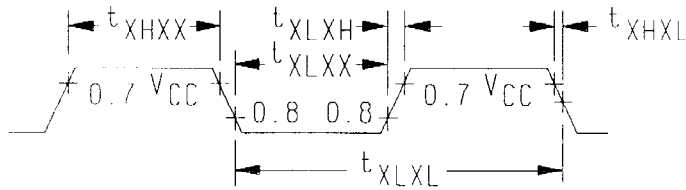
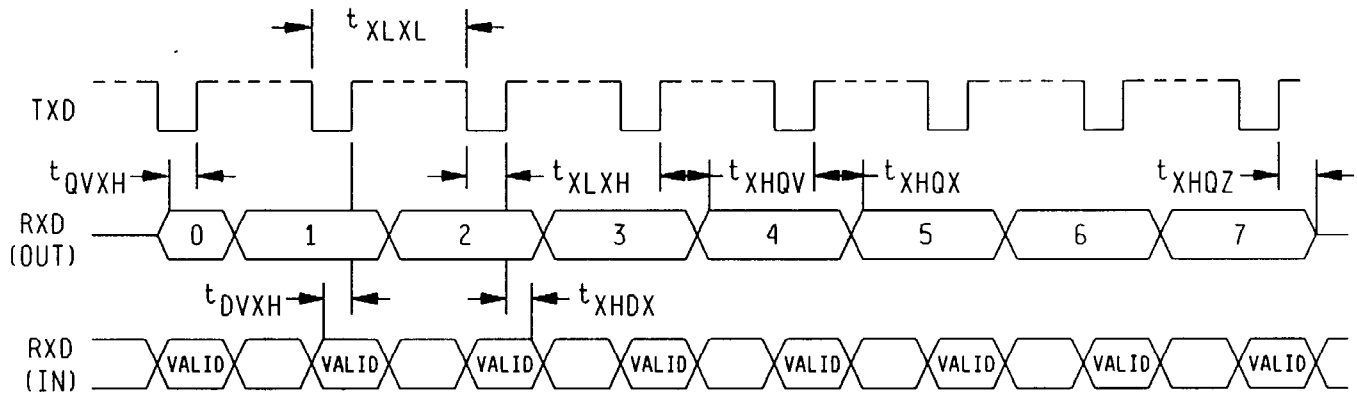


FIGURE 4. Test circuit and switching waveforms - Continued.

STANDARD MICROCIRCUIT DRAWING DEFENSE ELECTRONICS SUPPLY CENTER DAYTON, OHIO 45444	SIZE A		5962-90692
		REVISION LEVEL	SHEET 23

Serial port waveform - shift register mode



A.C. testing input, output waveform



Float waveform

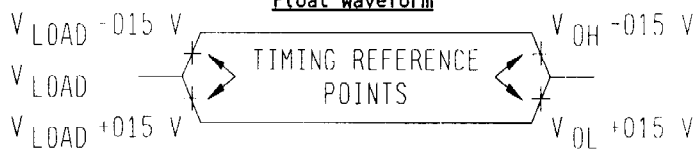


FIGURE 4. Test circuit and switching waveforms - Continued.

STANDARD
MICROCIRCUIT DRAWING
DEFENSE ELECTRONICS SUPPLY CENTER
DAYTON, OHIO 45444

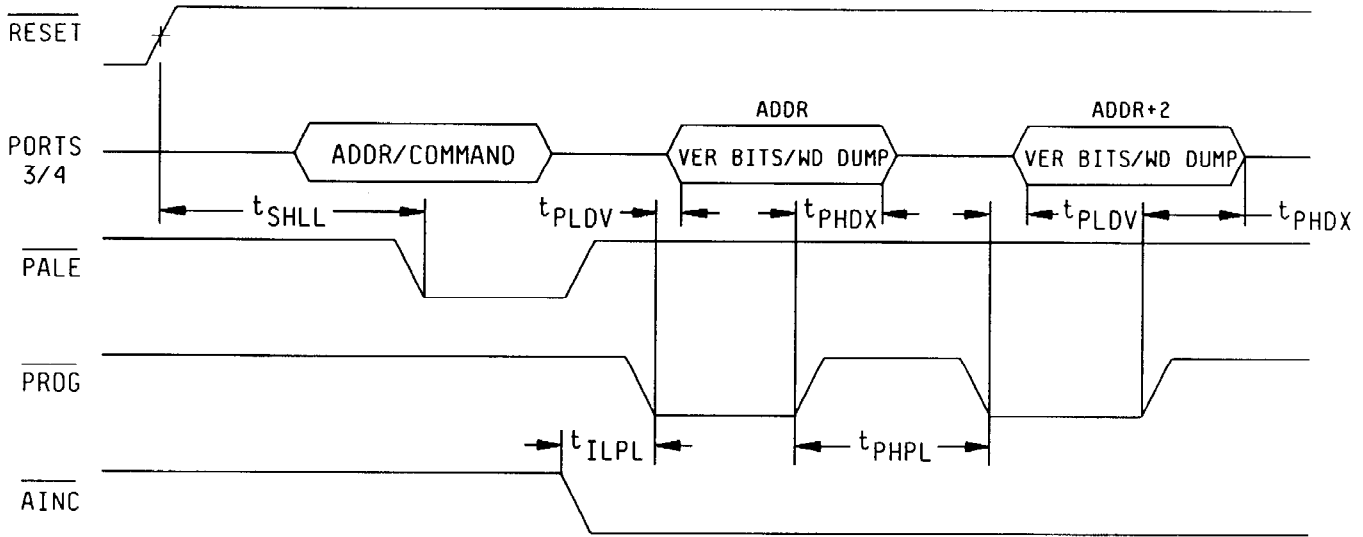
SIZE
A

5962-90692

REVISION LEVEL

SHEET
24

Slave program mode in word dump with auto increment



Slave programming mode data program mode with single program pulse

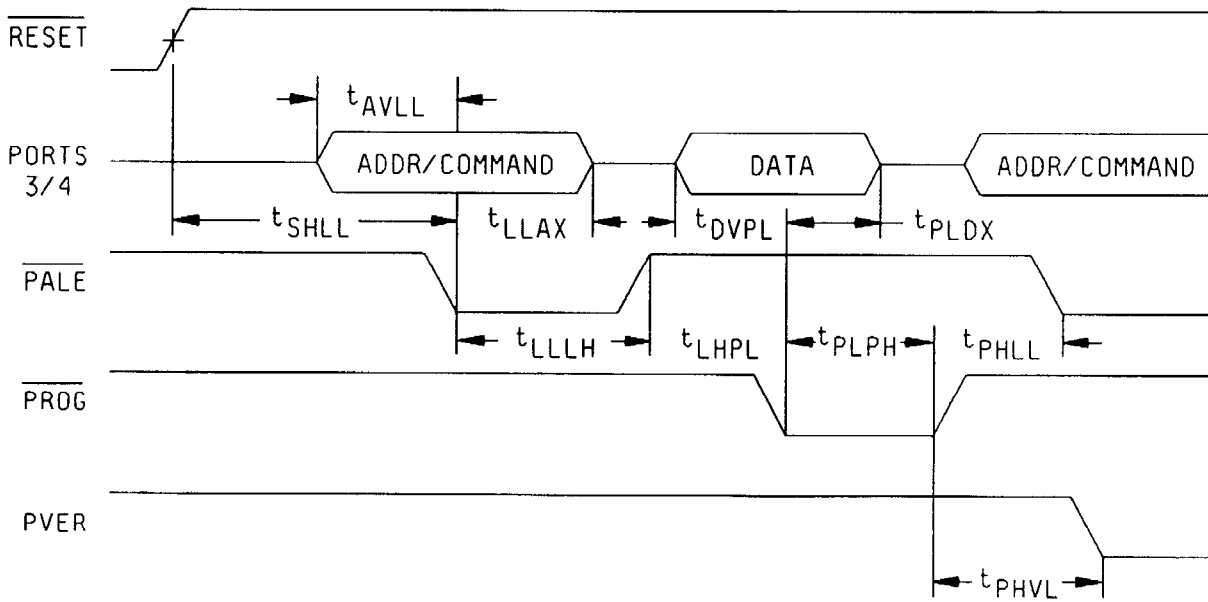


FIGURE 5. EPROM programming configuration waveforms.

STANDARD
MICROCIRCUIT DRAWING
DEFENSE ELECTRONICS SUPPLY CENTER
DAYTON, OHIO 45444

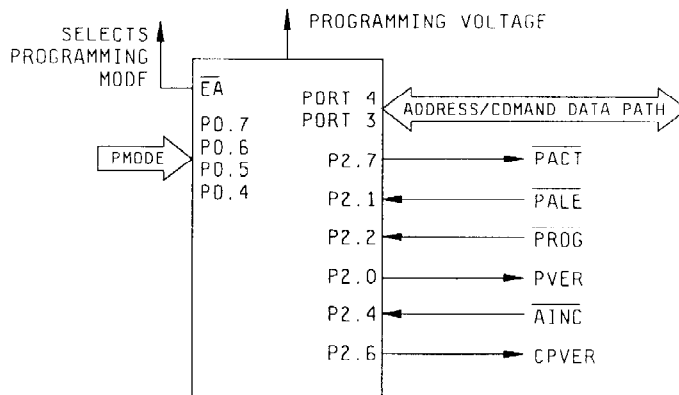
SIZE
A

5962-90692

REVISION LEVEL

SHEET
25

Programming and verification configuration



Slave programming mode timing in data program with repeated PROG pulse and auto increment

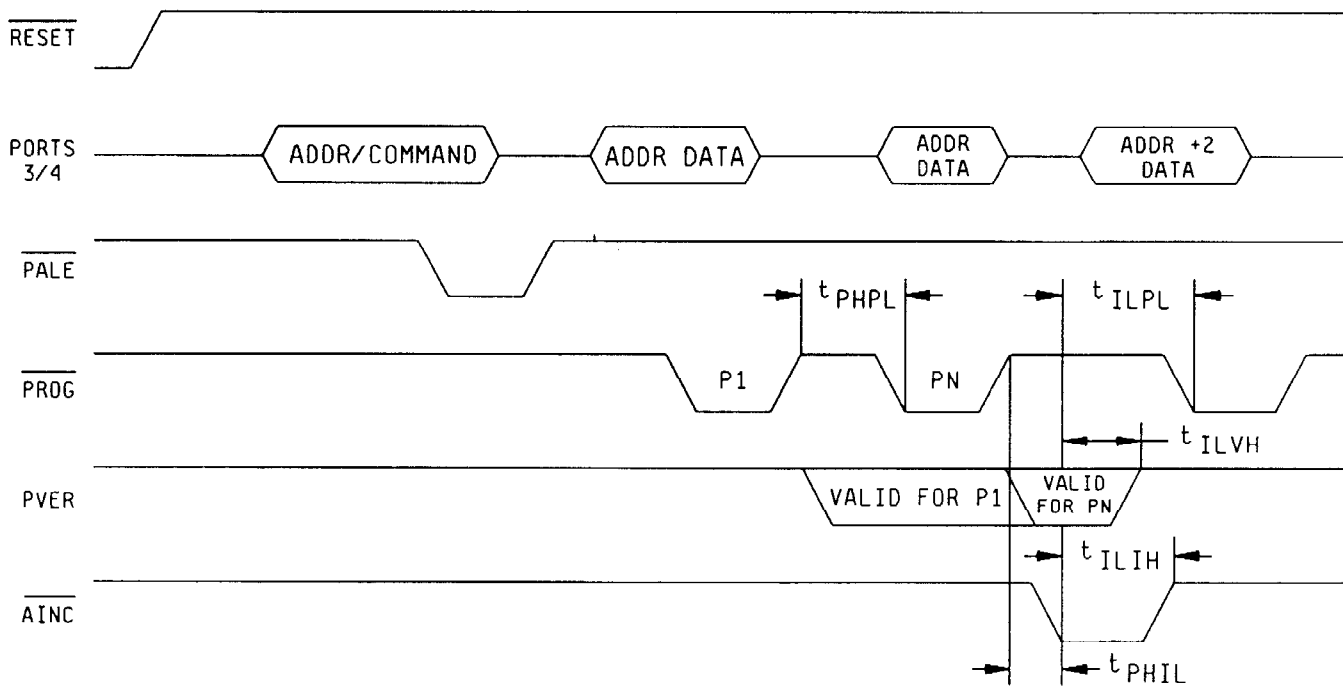


FIGURE 5. EPROM programming configuration waveforms - Continued.

STANDARD MICROCIRCUIT DRAWING DEFENSE ELECTRONICS SUPPLY CENTER DAYTON, OHIO 45444	SIZE A		5962-90692
		REVISION LEVEL	SHEET 26

3.11.2 Programmability of EPROMS. When specified, devices shall be programmed to the specified pattern using the procedures and characteristics specified in 4.6 and table III.

3.12.3 Verification of erasure programmability of EPROMS. When specified, devices shall be verified as either programmed to the specification pattern or erased. As a minimum, verification shall consist of performing a functional test (subgroup 7) to verify that all bits are in the proper state. Any bit that does not verify to be in the proper state shall constitute a device failure, and shall be removed from the lot.

4. QUALITY ASSURANCE PROVISIONS

4.1 Sampling and inspection. For device classes Q and V, sampling and inspection procedures shall be in accordance with MIL-PRF-38535 or as modified in the device manufacturer's Quality Management (QM) plan. The modification in the QM plan shall not affect the form, fit, or function as described herein. For device class M, sampling and inspection procedures shall be in accordance with MIL-PRF-38535, appendix A.

4.2 Screening. For device classes Q and V, screening shall be in accordance with MIL-PRF-38535, and shall be conducted on all devices prior to qualification and technology conformance inspection. For device class M, screening shall be in accordance with method 5004 of MIL-STD-883, and shall be conducted on all devices prior to quality conformance inspection.

4.2.1 Additional criteria for device class M.

a. Burn-in test, method 1015 of MIL-STD-883.

(1) Test condition C or D. The test circuit shall be maintained by the manufacturer under document revision level control and shall be made available to the preparing or acquiring activity upon request. The test circuit shall specify the inputs, outputs, biases, and power dissipation, as applicable, in accordance with the intent specified in test method 1015.

(2) $T_A = +125^\circ\text{C}$, minimum.

b. Interim and final electrical test parameters shall be as specified in table II herein.

c. A data retention stress test shall be included as part of the screening procedure and shall consist of the following steps:

Margin test method A.

- (1) Program greater than 95 percent of the bit locations, including the slowest programming cell (see 3.11.2). The remaining cells shall provide a worst case speed pattern.
- (2) Bake, unbiased, for 72 hours at $+140^\circ\text{C}$ to screen for data retention lifetime.
- (3) Perform a margin test using $V_M = +5.9\text{ V}$ at $+25^\circ\text{C}$ using loose timing (i.e., $T_{ACC} > 1\ \mu\text{s}$).
- (4) Perform dynamic burn-in (see 4.2.1a).
- (5) Margin at $V_M = 5.9\text{ V}$.
- (6) Perform electrical tests (see 4.2).
- (7) Erase (see 3.11.1), except devices submitted for groups A, B, C and D testing.
- (8) Verify erasure (see 3.11.3).

STANDARD MICROCIRCUIT DRAWING DEFENSE ELECTRONICS SUPPLY CENTER DAYTON, OHIO 45444	SIZE A		5962-90692
		REVISION LEVEL	SHEET 27

Margin test method B.

- (1) Program at +25°C, 100 percent of the bits.
- (2) Bake, unbiased, for 24 hours at +250°C.
- (3) Perform margin test at $V_M = 5.9$ V.
- (4) Erase (see 3.11.1).
- (5) Perform interim electrical tests in accordance with table II.
- (6) Program 100 percent of the bits and verify (see 3.11.3).
- (7) Perform burn-in (see 4.2.1a).
- (8) One-hundred percent test at +25°C (group A, subgroups 1 and 7). $V_M = 5.9$ V with loose timing, apply PDA.
- (9) Perform remaining final electrical subgroups and group A testing.
- (10) Erase, devices may be submitted for groups B, C, and D at this time.
- (11) Verify erasure (see 3.11.3). Steps 1 through 4 are performed at wafer level.

4.2.2 Additional criteria for device classes Q and V.

- a. The burn-in test duration, test condition and test temperature, or approved alternatives shall be as specified in the device manufacturer's QM plan in accordance with MIL-PRF-38535. The burn-in test circuit shall be maintained under document revision level control of the device manufacturer's Technology Review Board (TRB) in accordance with MIL-PRF-38535 and shall be made available to the acquiring or preparing activity upon request. The test circuit shall specify the inputs, outputs, biases, and power dissipation, as applicable, in accordance with the intent specified in test method 1015 of MIL-STD-883.
- b. Interim and final electrical test parameters shall be as specified in table II herein.
- c. Additional screening for device class V beyond the requirements of device class Q shall be as specified in MIL-PRF-38535, appendix B.

4.3 Qualification inspection for device classes Q and V. Qualification inspection for device classes Q and V shall be in accordance with MIL-PRF-38535. Inspections to be performed shall be those specified in MIL-PRF-38535 and herein for groups A, B, C, D, and E inspections (see 4.4.1 through 4.4.4).

4.4 Conformance inspection. Technology conformance inspection for classes Q and V shall be in accordance with MIL-PRF-38535 including groups A, B, C, D, and E inspections and as specified herein except where option 2 of MIL-PRF-38535 permits alternate in-line control testing. Quality conformance inspection for device class M shall be in accordance with MIL-PRF-38535, appendix A and as specified herein. Inspections to be performed for device class M shall be those specified in method 5005 of MIL-STD-883 and herein for groups A, B, C, D, and E inspections (see 4.4.1 through 4.4.4).

4.4.1 Group A inspection.

- a. Tests shall be as specified in table II herein.
- b. For device class M, subgroups 7 and 8 tests shall consist of verifying the EPROM pattern specified and the instruction set. The instruction set forms a part of the vendors test tape and shall be maintained and available from the approved source of supply. For device classes Q and V, subgroups 7 and 8 shall include verifying the functionality of the device; these tests shall have been fault graded in accordance with MIL-STD-883, test method 5012 (see 1.5 herein).
- c. Subgroup 4 (C_S and C_{IN} measurement) shall be measured only for the initial test and after process or design changes which may affect capacitance. A minimum sample size of 5 devices with zero rejects shall be required.
- d. All devices selected for testing shall have the EPROM programmed with a checkerboard pattern or equivalent. After completion of all testing, the devices shall be erased and verified (except devices submitted for groups C and D testing).

STANDARD MICROCIRCUIT DRAWING DEFENSE ELECTRONICS SUPPLY CENTER DAYTON, OHIO 45444	SIZE A		5962-90692
		REVISION LEVEL	SHEET 28

4.4.2 Group C inspection. The group C inspection end-point electrical parameters shall be as specified in table II herein.

TABLE II. Electrical test requirements.

Test requirements	Subgroups (in accordance with MIL-STD-883, TM 5005, table I)	Subgroups (in accordance with MIL-I-38535, table III)	
	Device class M	Device class Q	Device class V
Interim electrical parameters (see 4.2)			1, 7
Final electrical parameters (see 4.2)	1, 2, 3, 4, 5, 6, 7, 8, 9, 10, 11 1/	1, 2, 3, 4, 5, 6 7, 8, 9, 10, 1/ 11	1, 2, 3, 4, 5, 6, 7, 2/ 8, 9, 10, 11
Group A test requirements (see 4.4)	1, 2, 3, 4, 5, 6, 7, 8, 9, 10, 11	1, 2, 3, 4, 5, 6 7, 8, 9, 10, 11	1, 2, 3, 4, 5, 6, 7, 8, 9, 10, 11
Group C end-point electrical parameters (see 4.4)	2, 8a, 10	2, 8a, 10	2, 5, 7, 8, 10
Group D end-point electrical parameters (see 4.4)	2, 8a, 10	2, 8a, 10	2, 5, 7, 8, 10
Group E end-point electrical parameters (see 4.4)	2, 8a, 10	2, 8a, 10	2, 5, 8, 10

1/ PDA applies to subgroup 1. (I_{CC} only)

2/ PDA applies to subgroups 1 and 7.

4.4.2.1 Additional criteria for device class M. Steady-state life test conditions, method 1005 of MIL-STD-883:

- a. Test condition C or D. The test circuit shall be maintained by the manufacturer under document revision level control and shall be made available to the preparing or acquiring activity upon request. The test circuit shall specify the inputs, outputs, biases, and power dissipation, as applicable, in accordance with the intent specified in test method 1005 of MIL-STD-883.
- b. $T_A = +125^\circ\text{C}$, minimum.
- c. Test duration: 1,000 hours, except as permitted by method 1005 of MIL-STD-883.

4.4.2.2 Additional criteria for device classes Q and V. The steady-state life test duration, test condition and test temperature, or approved alternatives shall be as specified in the device manufacturer's QM plan in accordance with MIL-PRF-38535. The test circuit shall be maintained under document revision level control by the device manufacturer's TRB in accordance with MIL-PRF-38535 and shall be made available to the acquiring or preparing activity upon request. The test circuit shall specify the inputs, outputs, biases, and power dissipation, as applicable, in accordance with the intent specified in test method 1005 of MIL-STD-883.

4.4.3 Group D inspection. The group D inspection end-point electrical parameters shall be as specified in table II herein.

STANDARD
MICROCIRCUIT DRAWING
DEFENSE ELECTRONICS SUPPLY CENTER
DAYTON, OHIO 45444

SIZE
A

5962-90692

REVISION LEVEL

SHEET

29

4.4.4 Group E inspection. Group E inspection is required only for parts intended to be marked as radiation hardness assured (see 3.5 herein).

- a. End-point electrical parameters shall be as specified in table II herein.
- b. For device classes Q and V, the devices or test vehicle shall be subjected to radiation hardness assured tests as specified in MIL-PRF-38535 for the RHA level being tested. For device class M, the devices shall be subjected to radiation hardness assured tests as specified in MIL-PRF-38535, appendix A for the RHA level being tested. All device classes must meet the postirradiation end-point electrical parameter limits as defined in table I at $T_A = +25^{\circ}\text{C} \pm 5^{\circ}\text{C}$, after exposure, to the subgroups specified in table II herein.
- c. When specified in the purchase order or contract, a copy of the RHA delta limits shall be supplied.

4.5 Erasing procedure. The recommended erasure procedure is exposure to ultraviolet light (at 2537 Angstroms) to an integrated dose of at least 15 W-s/cm^2 . Exposing the EPROM to an ultraviolet lamp of $12,000 \text{ W/cm}^2$ rating for 20 to 30 minutes, at a distance of about 1 inch, should be sufficient.

4.6 Programming procedures. The programming characteristics in table III and the following procedures shall be used for programming the device.

- a. Connect the device in the electrical configuration (see figure 5) for programming. The waveforms of figure 5 and programming characteristics of table III shall apply.
- b. Initially and after each erasure, all bits are in the high "H" state. Information is introduced by selectively programming "L" into the desired bit locations. A programmed "L" can be changed to and "H" by ultraviolet light erasure (see 4.5).

STANDARD MICROCIRCUIT DRAWING DEFENSE ELECTRONICS SUPPLY CENTER DAYTON, OHIO 45444	SIZE A		5962-90692
		REVISION LEVEL	SHEET 30

TABLE III. Programming characteristics

Test	Symbol	Conditions -55°C ≤ T _C ≤ +125°C unless otherwise specified 4.5 V ≤ V _{CC} ≤ 5.5 V	Group A subgroups	Device type	Limits		Unit
					Min	Max	
Reset high to first PALE low	t _{SHLL}	EPROM programming and verification characteristics Load capacity = 150 pF		All	1100 t _{OSC}		ns
PALE pulse width	t _{LLLH}	V _{CC} , V _{REF} = 5 V V _{SS} , ANGND = 0 V V _{pp} = 12.5 V ± 0.25 V EA = 12.5 V ± 0.25 V		All	50 t _{OSC}		ns
Address setup time	t _{AVLL}	T _A = +25°C ± 5°C See figure 5 1/		All	0		ns
Address hold time	t _{LLAX}			All	100 t _{OSC}		ns
PROG low to word dump valid	t _{PLDV}			All		50 t _{OSC}	ns
Word dump data hold	t _{PHDX}			All		50 t _{OSC}	ns
Data setup time	t _{DVPL}			All	0		ns
Data hold time	t _{PLDX}			All	400 t _{OSC}		ns
PROG pulse width 2/	t _{PLPH}			All	50 t _{OSC}		ns
PROG high to next PALE low	t _{PHLL}			All	220 t _{OSC}		ns
PALE high to PROG low	t _{LHPL}			All	220 t _{OSC}		ns
PROG high to next PROG low	t _{PHPL}			All	220 t _{OSC}		ns
PROG high to AINC low	t _{PHIL}			All	0		ns

STANDARD
MICROCIRCUIT DRAWING
DEFENSE ELECTRONICS SUPPLY CENTER
DAYTON, OHIO 45444

SIZE
A

5962-90692

REVISION LEVEL

SHEET

31

TABLE III. Programming characteristics

Test	Symbol	Conditions -55°C ≤ T _C ≤ +125°C unless otherwise specified 4.5 V ≤ V _{CC} ≤ 5.5 V	Group A subgroups	Device type	Limits		Unit
					Min	Max	
AINC pulse width	t _{ILIH}	EPROM programming and verification characteristics Load capacity = 150 pF		All	240 t _{OSC}		ns
PVER hold after AINC low	t _{ILVH}	V _{CC} , V _{REF} = 5 V V _{SS} , ANGND = 0 V V _{pp} = 12.5 V ± 0.25 V EA = 12.5 V ± 0.25 V		All	50 t _{OSC}		ns
AINC low to PROG low	t _{ILPL}	T _A = +25°C ± 5°C See figure 5 1/		All	170 t _{OSC}		ns
PROG high to PVER low	t _{PHVL}			All		220 t _{OSC}	ns
VPP supply current when	I _{pp}			All		100	mA

1/ AINC = Auto increment

2/ This specification is for Word Dump Mode. For programming pulses, use 300 T_{OSC} + 100 μs.

3/ Tested initially and at process and design changes. Thereafter guaranteed, if not tested, to the limits specified in table III.

5. PACKAGING

5.1 Packaging requirements. The requirements for packaging shall be in accordance with MIL-PRF-38535 for device classes Q and V or MIL-PRF-38535, appendix A for device class M.

6. NOTES

6.1 Intended use. Microcircuits conforming to this drawing are intended for use for Government microcircuit applications (original equipment), design applications, and logistics purposes.

6.1.1 Replaceability. Microcircuits covered by this drawing will replace the same generic device covered by a contractor-prepared specification or drawing.

6.1.2 Substitutability. Device class Q devices will replace device class M devices.

6.2 Configuration control of SMD's. All proposed changes to existing SMD's will be coordinated with the users of record for the individual documents. This coordination will be accomplished in accordance with MIL-STD-973 using DD Form 1692, Engineering Change Proposal.

6.3 Record of users. Military and industrial users should inform Defense Electronics Supply Center when a system application requires configuration control and which SMD's are applicable to that system. DESC will maintain a record of users and this list will be used for coordination and distribution of changes to the drawings. Users of drawings covering microelectronic devices (FSC 5962) should contact DESC-EC, telephone (513) 296-6047.

6.4 Comments. Comments on this drawing should be directed to DESC-EC, Dayton, Ohio 45444-5270, or telephone (513) 296-5377.

6.5 Abbreviations, symbols, and definitions. The abbreviations, symbols, and definitions used herein are defined in MIL-PRF-38535 and MIL-HDBK-1331 and as follows:

STANDARD
MICROCIRCUIT DRAWING
DEFENSE ELECTRONICS SUPPLY CENTER
DAYTON, OHIO 45444

SIZE
A

5962-90692

REVISION LEVEL

SHEET

32

<u>Pin symbol</u>	<u>Description</u>
ACH1 thru ACH7	Analog channel
AD0 thru AD15	Address/data pins
$\overline{\text{ALE/ADV}}$	Address latch enable or address valid output, as selected by CCR. Both pin options provide a signal to demultiplex the address from the address/data bus. When the pin is ADV it goes inactive high at the end of the bus cycle. ALE/ADV is activated only during external memory accesses.
ANGND	References ground for the A/D converter. Must be held at nominally the same potential as V_{SS} .
$\overline{\text{BHE/WRH}}$	Bus high enable or write high output to external memory, as selected by the CCR. $\overline{\text{BHE}} = 0$ selects the bank of memory that is connected to the high byte of the data bus. $\text{AO} = 0$ selects the bank of memory that is connected to the low byte of the data bus. Thus accesses to a 16-bit wide memory can be to the low byte only ($\text{AO} = 0, \overline{\text{BHE}} = 1$), to the high byte only ($\text{AO} = 1, \overline{\text{BHE}} = 0$), or both bytes ($\text{AO} = 0, \overline{\text{BHE}} = 0$). If the WRH function is selected, the pin will go low if the bus cycle is writing to an odd memory location. BHE/WRH is valid only during 16-bit external memory write cycles.
$\overline{\text{BREQ}}$	Bus request output activated when the bus controller has a pending external memory cycle.
BUSWIDTH	Input for buswidth selection. If CCR bit 1 is a one, this pin selects the bus width for the bus cycle in progress. If BUSWIDTH is a 1 an 16-bit cycle occurs. If BUSWIDTH is a 0 an 8-bit cycle occurs. If CCR bit 1 is a 0, the bus is always an 8-bit bus.
CLKOUT	Output of the internal clock generator. The frequency of CLKOUT is 1/2 the oscillator frequency. For device type 02, CLKOUT may be disabled.
$\overline{\text{EA}}$	Input for memory select (External access). $\overline{\text{EA}}$ equal to a TTL-high causes memory accesses to locations 2000H through 5FFFH to be directed to on-chip EPROM. EA equal to a TTL-low causes accesses to those locations to be directed to off-chip memory.
EXTINT	External interrupt.
$\overline{\text{HLDA}}$	Bus-hold acknowledge output indicating release of the bus.
$\overline{\text{HOLD}}$	Bus-hold input requesting control of the bus.
HSI.0 through HSI.3	Inputs to high speed input unit. HSI.2 and HSI.3 are shared with the HSO unit.
HSI.0 through HSI.5	Outputs from high speed input unit. HSI.4 and HSI.5 are shared with the HSI unit.
INST	Output high during an external memory read indicates the read is an instruction fetch. INST is valid throughout the bus cycle. INST is activated only during external memory accesses and output low for a data fetch.
NMI	A positive transition causes a vector through 203EH.
$\overline{\text{PACT}}$	Programming active. Used in the auto programming mode to indicate when programming activity is complete.
Port 0	8-bit high impedance input-only port. These pins can be used as digital inputs and/or as analog inputs to the on-chip A/D converter.
Port 1	8-bit quasi-bidirectional I/O port.

STANDARD MICROCIRCUIT DRAWING DEFENSE ELECTRONICS SUPPLY CENTER DAYTON, OHIO 45444	SIZE A		5962-90692
		REVISION LEVEL	SHEET 33

<u>Pin symbol</u>	<u>Description</u> - Continued.
Port 2	8-bit multi-functional port. All of its pins are shared with other functions in device 01.
Ports 3 and 4	8-bit bidirectional I/O ports with open drain outputs. These pins are shared with the multiplexed address/data bus which has strong internal pull-ups.
PWM0 through PWM2	Pulse width modulator.
\overline{RD}	Read signal output to external memory. \overline{RD} is activated only during external memory reads.
READY	Ready input to lengthen external memory cycles, for interfacing to slow or dynamic memory, or for bus sharing. When the external memory is not being used, READY has no effect.
\overline{RESET}	Reset input to the chip.
RXD	Serial port receive.
TXD	Serial port transmit.
T2CAPTURE	Timer 2 capture enable.
T2CLK	Timer 2 clock source.
T2RST	Timer 2 reset source.
T2UP-DN	Timer 2 count up or down.
V _{CC}	Main supply voltage (5.0).
V _{PP}	Timing pin for the return from powerdown circuit. Connect this pin with a 1 μ F capacitor to V _{SS} and a 1 M Ohm resistor to V _{CC} . If this function is not used V _{PP} may be tied to V _{CC} . This pin is the programming voltage on the EPROM device.
V _{REF}	Reference voltage for the A/D converter (5.0). V _{REF} is also the supply voltage to the analog portion of the A/D converter and the logic used to read Port 0. Must be connected for A/D and Port 0 to function.
V _{SS}	Digital circuit ground (0.0 V). There are three V _{SS} pins, all of which must be connected.
$\overline{WR/WRL}$	Write and write low output to external memory, as selected by the CCR. \overline{WR} will go low for every external write, while WRL will go low only for external writes where an even byte is being written. $\overline{WR/WRL}$ is activated only during external memory writes.
XTAL1	Input of the oscillator inverter and of the internal clock generator.
XTAL2	Output of the oscillator inverter.

6.6 Sources of supply.

6.6.1 Sources of supply for device classes Q and V. Sources of supply for device classes Q and V are listed in QML-38535. The vendors listed in QML-38535 have submitted a certificate of compliance (see 3.6 herein) to DESC-EC and have agreed to this drawing.

6.6.2 Approved sources of supply for device class M. Approved sources of supply for class M are listed in MIL-HDBK-103. The vendors listed in MIL-HDBK-103 have agreed to this drawing and a certificate of compliance (see 3.6 herein) has been submitted to and accepted by DESC-EC.

STANDARD MICROCIRCUIT DRAWING DEFENSE ELECTRONICS SUPPLY CENTER DAYTON, OHIO 45444	SIZE A		5962-90692
		REVISION LEVEL	SHEET 34

STANDARD MICROCIRCUIT DRAWING SOURCE APPROVAL BULLETIN

DATE: 96-02-07

Approved sources of supply for SMD 5962-90692 are listed below for immediate acquisition only and shall be added to MIL-HDBK-103 during the next revision. MIL-HDBK-103 will be revised to include the addition or deletion of sources. The vendors listed below have agreed to this drawing and a certificate of compliance has been submitted to and accepted by DESC-EC. This bulletin is superseded by the next dated revision of MIL-HDBK-103.

Standard microcircuit drawing PIN 1/	Vendor CAGE number	Vendor similar PIN 2/
5962-9069201MXA	34649	MG87C196KC
5962-9069201MYA	34649	MQ87C196KC
5962-9069202QXA	34649	MG87C196KD16
5962-9069202QYA	34649	MQ87C196KD16
5962-9069203QXA	34649	MG87C196KD20
5962-9069203QYA	34649	MQ87C196KD20
5962-9069204QXA	34649	MG87C196KC
5962-9069204QYA	34649	MQ87C196KC

- 1/ The lead finish shown for each PIN representing a hermetic package is the most readily available from the manufacturer listed for that part. The device manufacturers listed herein are authorized to supply alternate lead finishes "A", "B", or "C" at their discretion. Contact the listed approved source of supply for further information.
- 2/ Caution. Do not use this number for item acquisition. Items acquired to this number may not satisfy the performance requirements of this drawing.

Vendor CAGE
number
34649

Vendor name
and address
Intel Corporation
Robert Noyce Building FS001
2200 Mission College Blvd
PO Box 58119
Santa Clara CA 95052-8119
Point of contact: 5000 W Chandler Boulevard
Chandler AZ 85226

The information contained herein is disseminated for convenience only and the Government assumes no liability whatsoever for any inaccuracies in the information bulletin.