

THIS DRAWING IS UNPUBLISHED.

RELEASED FOR PUBLICATION

20

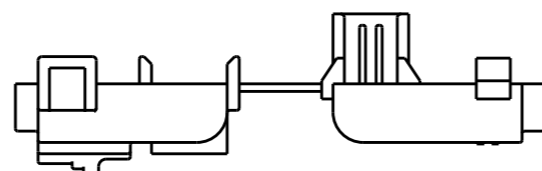
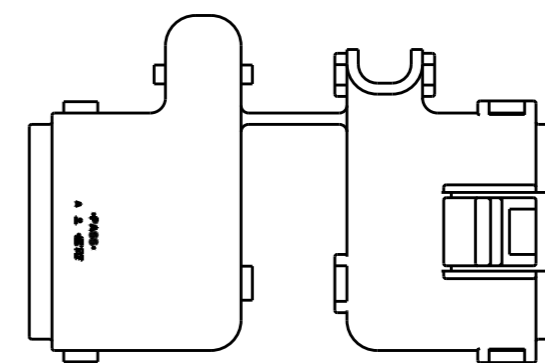
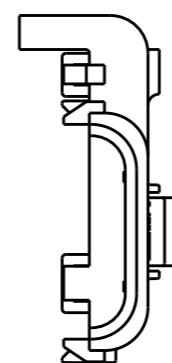
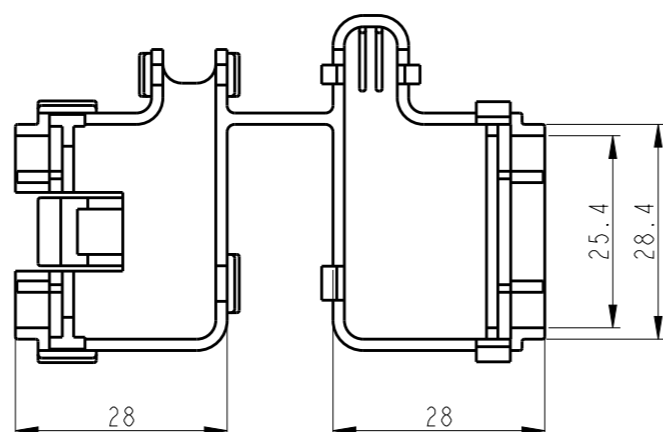
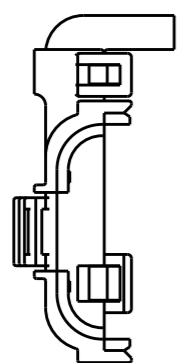
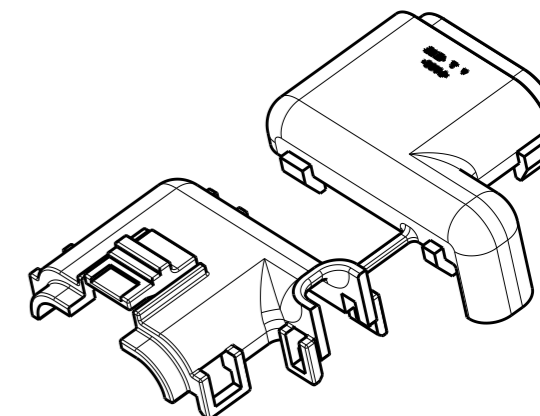
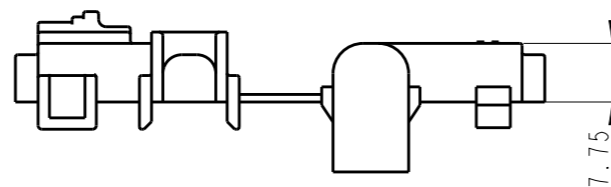
© COPYRIGHT 20 BY -

ALL RIGHTS RESERVED.

REVISIONS

P	LTR	DESCRIPTION	DATE	DWN	APVD
	A1	REVISED(ECR-15-014757)	15. JUL. '15	JM	HG
	A2	REVISED(ECR-17-018463)	27. SEP. '17	JS	YJ
	A3	REVISED(ECR-19-005002)	22. APR. '19	SK	YJ
	A4	REVISED(ECR-19-010338)	22. APR. '19	SK	YJ

<2109570-X>
TYPE A



A3	9	BLACK	PBT	WIRE COVER TYPE F	5-2109570-2
A2	8	BLACK	PA66	WIRE COVER TYPE E	4-2109570-2
A2	7	BLACK	PA66	WIRE COVER TYPE D	3-2109570-2
	6	GRAY	PA66	WIRE COVER TYPE C	2-2109570-3
	5	BLACK	PA66	WIRE COVER TYPE C	2-2109570-2
	4	GRAY	PA66	WIRE COVER TYPE B	1-2109570-3
	3	BLACK	PA66	WIRE COVER TYPE B	1-2109570-2
	2	GRAY	PA66	WIRE COVER TYPE A	2109570-3
	1	BLACK	PA66	WIRE COVER TYPE A	2109570-2
NO.		COLOR	MATERIAL	DESCRIPTION	P/N

NOTES.

1. GENERAL TOLERANCE : ± 0.3 , $\pm 3^\circ$
2. APPLICABLE MATING PART NO : 2005375

THIS DRAWING IS A CONTROLLED DOCUMENT.

DIMENSIONS: mm	TOLERANCES UNLESS OTHERWISE SPECIFIED: 0 PLC \pm 1 PLC \pm 2 PLC \pm 3 PLC \pm 4 PLC \pm ANGLES \pm
MATERIAL SEE TABLE	FINISH -

DWN JM JEON
CHK JW JUNG
APVD HG CHO
PRODUCT SPEC -
APPLICATION SPEC -
WEIGHT -
CUSTOMER DRAWING

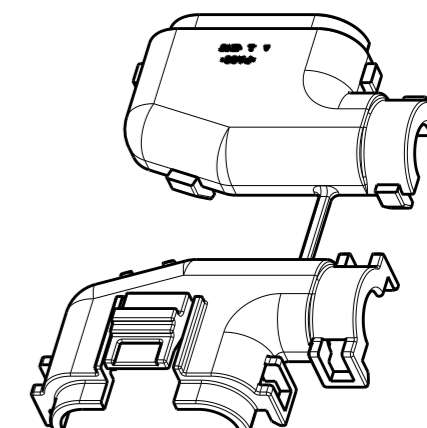
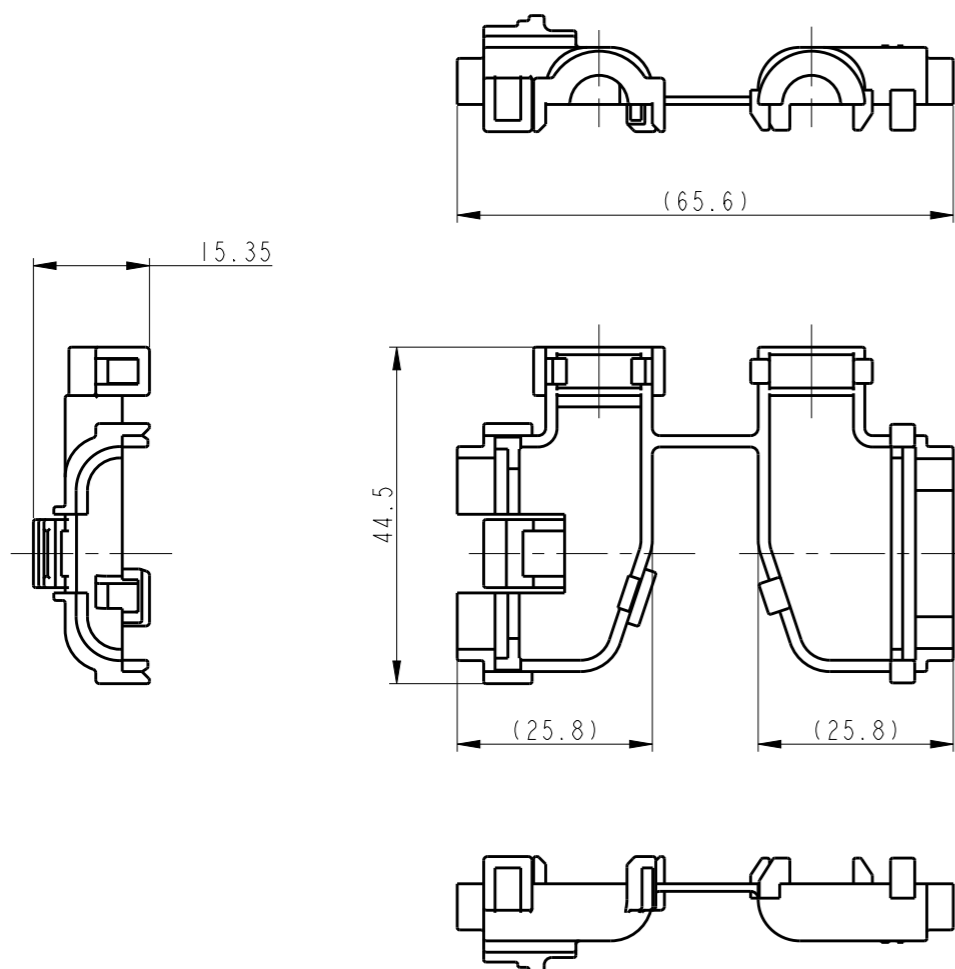


NAME COVER HSG FOR A/F SNSR 5P			
SIZE A3	CAGE CODE -	DRAWING NO C-2109570	RESTRICTED TO
SCALE 1:1	SHEET 1	OF 4	REV A4

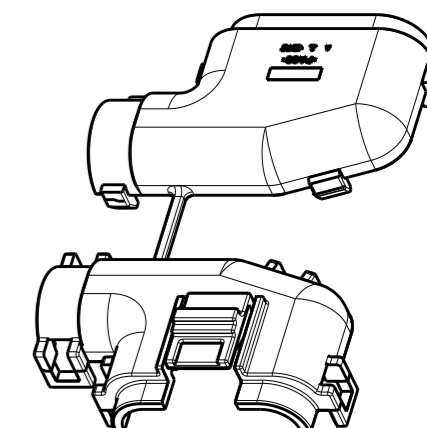
REVISIONS

P	LTR	DESCRIPTION	DATE	DWN	APVD
		SEE SHEET 1			

Ⓐ <1,2-2109570-X>
TYPE B,C



1-2109570-X



Ⓐ 2-2109570-X

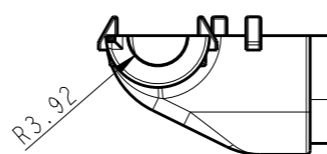
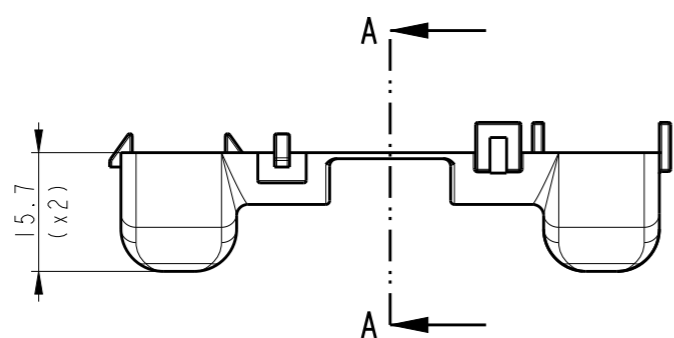
TYPE B 1-2109570-X	TYPE C 2-2109570-X Ⓐ

THIS DRAWING IS A CONTROLLED DOCUMENT.		DWN	TE Connectivity		
DIMENSIONS: mm		CHK			
TOLERANCES UNLESS OTHERWISE SPECIFIED:		APVD	NAME COVER HSG FOR A/F SNSR 5P		
0 PLC ±		SEE SHEET 1 OF 2 PRODUCT SPEC - APPLICATION SPEC - WEIGHT - SCALE 1:1 SHEET 2 OF 4 REV A4			
1 PLC ±					
2 PLC ±					
3 PLC ±					
4 PLC ±					
ANGLES ±		SIZE A3			
FINISH		CAGE CODE -			
MATERIAL		DRAWING NO C-2109570			
SHEET 1		RESTRICTED TO			
		CUSTOMER DRAWING			

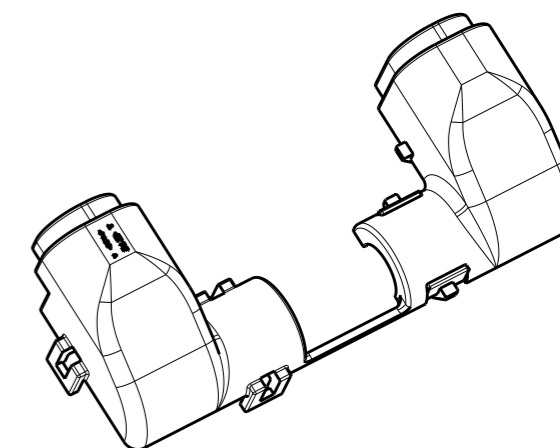
REVISIONS

P	LTR	DESCRIPTION	DATE	DWN	APVD
		SEE SHEET 1			

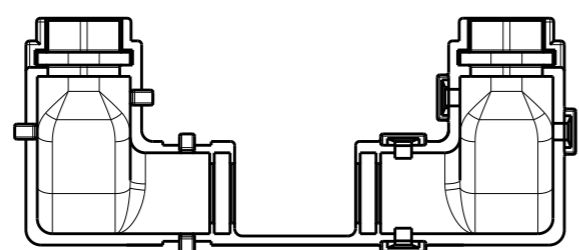
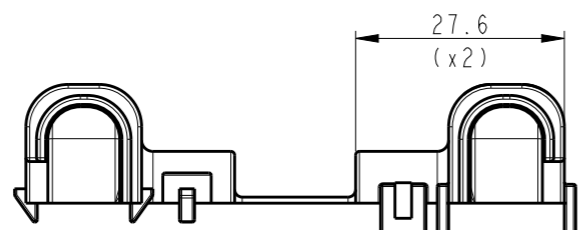
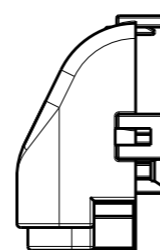
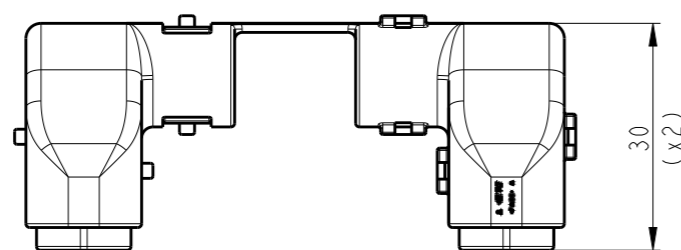
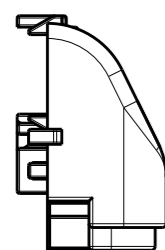
A2 <3,4-2109570-X>
TYPE D,E



SECTION A-A



3D VIEW



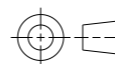
TYPE D 3-2109570-X	TYPE E 4-2109570-X

NOTE

1. GENERAL TOLERANCE : ± 0.3 , $\pm 3^\circ$
2. THE MATING PLUG ASS'Y P/N : 2005375-2
3. APPLICABLE CORRUGATE TUBE : $\varnothing 7.0$

THIS DRAWING IS A CONTROLLED DOCUMENT.

DIMENSIONS:
mm



TOLERANCES UNLESS OTHERWISE SPECIFIED:

0 PLC	\pm
1 PLC	\pm
2 PLC	\pm
3 PLC	\pm
4 PLC	\pm
ANGLES	\pm

MATERIAL

FINISH

SHEET 1

DWN

CHK

APVD

PRODUCT SPEC

APPLICATION SPEC

WEIGHT

CUSTOMER DRAWING



TE Connectivity

NAME

COVER HSG FOR A/F SNSR 5P

SIZE

A3

CAGE CODE

-

DRAWING NO

C-2109570

RESTRICTED TO

SCALE 1:1

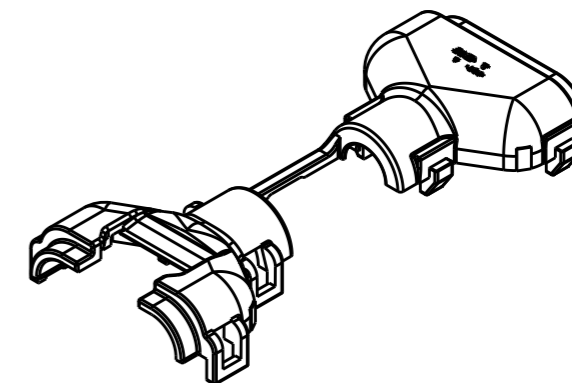
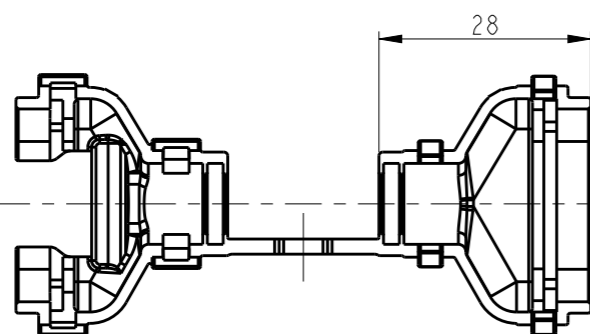
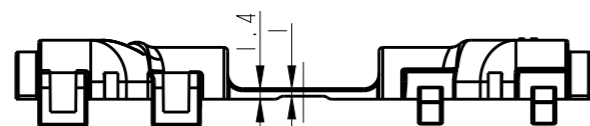
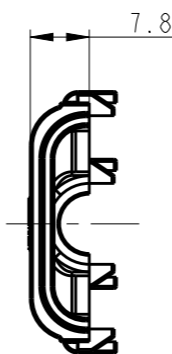
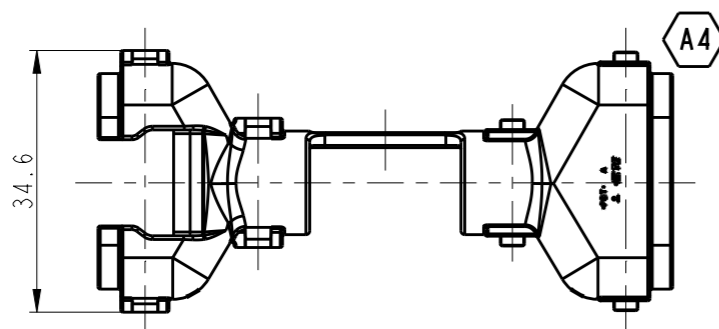
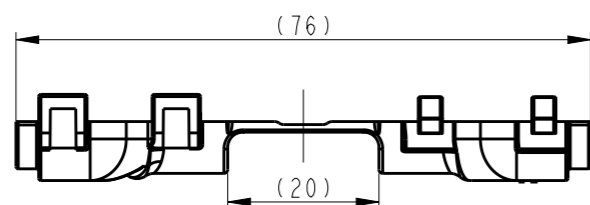
SHEET 3 OF 4

REV A4

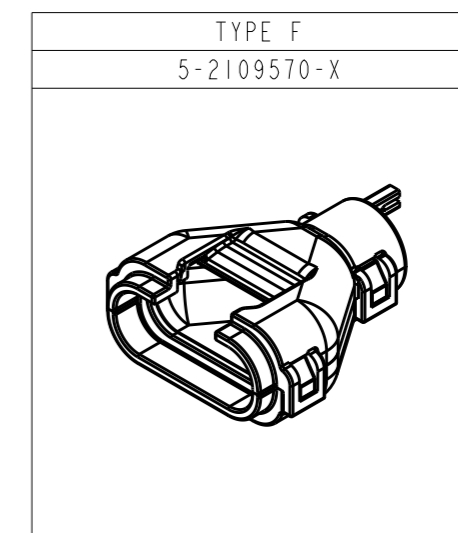
REVISIONS

P	LTR	DESCRIPTION	DATE	DWN	APVD
		SEE SHEET 1			

A3 <5-2109570-X>
TYPE F



3D VIEW



NOTE

1. GENERAL TOLERANCE : ± 0.3 , $\pm 3^\circ$
2. THE MATING PLUG ASS'Y P/N : 2005375-2
3. APPLICABLE CORRUGATE TUBE : $\varnothing 7.0$

THIS DRAWING IS A CONTROLLED DOCUMENT.		DWN	TE Connectivity		
DIMENSIONS: mm		CHK			
		SEE SHEET 1 OF 3		NAME COVER HSG FOR A/F SNSR 5P	
TOLERANCES UNLESS OTHERWISE SPECIFIED:		APVD	PRODUCT SPEC	RESTRICTED TO	
0 PLC \pm		-	APPLICATION SPEC	SIZE	CAGE CODE
1 PLC \pm		-	-	A3	-
2 PLC \pm		-	WEIGHT	DRAWING NO	
3 PLC \pm		-	-	C-2109570	
4 PLC \pm		-	-	SCALE	SHEET
ANGLES \pm		-	-	1:1	4 OF 4
FINISH		-	-	CUSTOMER DRAWING	REV
SHEET 1		-	-	-	A4