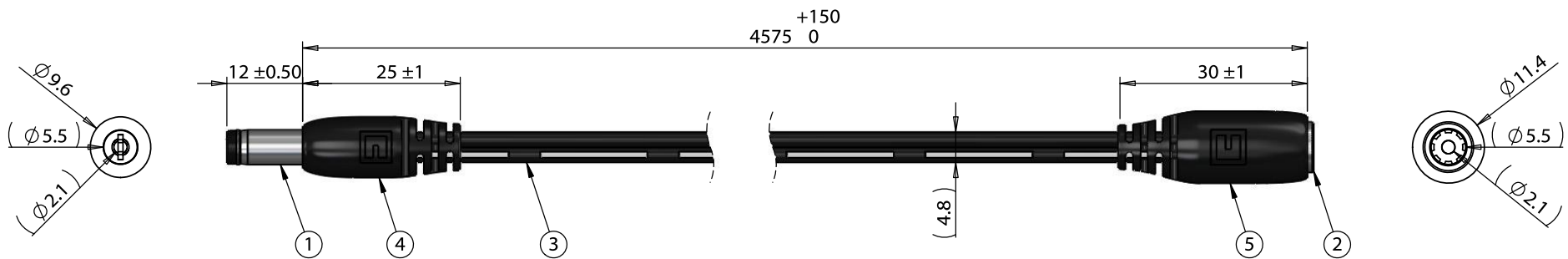


ITEM NO.	PART NUMBER	DESCRIPTION	QTY.	COMPONENT NOTES
1	50-00024	Connector, dc plug, 5.5x2.1xL23 mm, molding style, spring contacts	1	
2	50-00025	Connector, dc jack, 5.5x2.1xL17.4 mm, molding style	1	
3	30-00440	Wire, 2C TS, 16 AWG, UL2468, 300V, 80C, 4.8 mm, VW-1, PVC, 87A	1	
4	24-00003	Overmold, PVC	1	black
5	24-00004	Overmold, PVC	1	black



Notes:
Functionally equivalent components may be substituted

Wiring Diagram		
50-00024	wire color	50-00025
center	black with stripe	center
sleeve	black	sleeve

Revision:	Date:	Description:	Prepared: AW <small>Digitally signed by AW Date: 2018.06.12 14:25:21 -07'00'</small>	Notes:	<h1>TENSILITY</h1> <p>tel 1.541.323.3228 800 877.670.7118 fax 1.541.323.4202 web tensility.com</p>
A	11/22/2016	Initial release	Verified: GL <small>Digitally signed by GL Date: 2018.06.12 16:27:49 -07'00'</small>	RoHS compliant	
			Dimensions are in millimeters. Tolerances: X: ± 0.5 mm X.X: ± 0.3 mm X.XX: ± 0.05 mm	Function test: no open, no short circuit, no intermittent	
				Description: Cable, 4575 mm, 5.5x2.1x12 mm 50-00024 dc plug to 5.5x2.1 mm 50-00025 dc jack, 16 AWG, 30-00440 wire	
				Size: A	Part number: 10-02380
				Scale: 1:1	Sheet 1 of 1

5

4

3

2

1