



February 28th, 2018

UPDATE: Important Product Safety Bulletin
Immediate Action Required – INSTRUCTIONS FOR FIELD RISK
MITIGATION

Eaton Bussmann series CUBEFuse – Indicating TCF

DANGER:
FAILURE TO WEAR APPROPRIATE PERSONAL PROTECTIVE
EQUIPMENT WHEN SERVICING THESE FUSES POSES A SAFETY
RISK AND CAN CAUSE PERSONAL INJURY, DEATH OR PROPERTY
DAMAGE.

You are receiving this notification because Eaton's records indicate that Eaton has shipped to you Eaton Bussmann™ series Indicating CUBEFuse™ catalog numbers:

TCF1	TCF10	TCF20	TCF35	TCF50	TCF80
TCF3	TCF15	TCF25	TCF40	TCF60	TCF90
TCF6	TCF17-1/2	TCF30	TCF45	TCF70	TCF100

This notification is a follow-up to the notification you received on or about January 12, 2018. Per that notification, we are providing you with additional details about the countermeasures for the identified safety issue.

As you are aware, Eaton has identified a potential nonconformance that results in an exposed, 42 AWG wire (0.07 mm diameter) used in the indicating circuit of the CUBEFuse. The indicating wire may be exposed to the front or back of the fuse, thereby eliminating its finger safe characteristics. Any non-conforming CUBEFuse will still interrupt overloads and short-circuits.

Units manufactured before January 2018 (A52 date code and earlier) must be identified, and before any potential work on equipment is completed by qualified personnel, they must use the appropriate personal protective equipment (PPE) as defined by established safety procedures. Failure to alert the appropriate personnel could lead to personal injury, death or property damage.

ACTION REQUIRED – Units affected by this alert require inspection, and application of Eaton-provided countermeasures. These countermeasures will be provided to you at no cost.

Please complete all actions that apply:

ACTION 1 – Follow instructions in Appendix A to inspect and replace or mitigate fuses in your possession. To receive countermeasures, Eaton asks that you verify the catalog number of your product in order to receive the correctly sized countermeasures.

Action 1 can be summarized as:



Eaton Corporation
Bussmann Division
114 Old State Road
Ellisville, MO 63021
United States

1. Determine the number of countermeasures needed in your installation or inventory
2. Complete the form in Appendix B and return the form to CUBEFuseCampaign@Eaton.com. The Customer Satisfaction Representative monitoring this email will take your order for countermeasures and advise lead time for delivery.
3. Upon receipt of the countermeasures, complete the inspection and mitigation as described in Appendix A

ACTION 2 - If you are not the end customer for this product and have subsequently shipped this product to a 3rd party, Eaton asks that you forward this notice to the 3rd party by registered carrier and assist us in making arrangements to provide countermeasures. If for some reason you are unable to make this third party notification, please notify Eaton at CUBEFuseCampaign@Eaton.com for next steps.

Eaton regrets any inconvenience this issue may have caused. Eaton is committed to our partners and customers to provide a safe, quality product.

If you have any questions of a technical nature, please contact FuseTech@Eaton.com.

For schedule and replacement questions, please contact CUBEFuseCampaign@Eaton.com.

Thank you for your cooperation and support,

Gary T. Gallion

Director, Quality Assurance
Controls and Protection Division
Eaton Corporation
garytgallion@eaton.com
636-207-3138

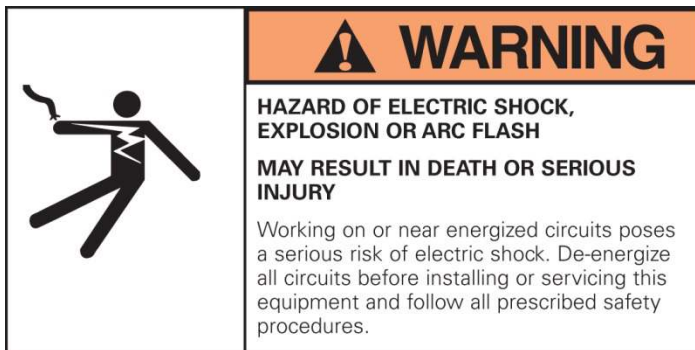
Appendix A

Important Product Safety Bulletin Indicating CUBEFuse cover installation instructions

CUBEFuse covers will not interfere with the fuse test points or using the CUBEFuse puller (CFP-30, CFP-60, or CFP-100)

These installation instructions apply equally to all CUBEFuse cover catalog numbers listed in this table.

CUBEFuse cover catalog number	Fit CUBEFuse amp range
CFC-30	up to 30
CFC-60	35 to 60
CFC-100	70 to 100



Qualified person

For the purpose of this instruction manual, a qualified person:

- is familiar with the subject equipment and the hazards involved with their application, use, administration and maintenance.
- is trained and authorized to de-energize, clear, ground, and tag circuits and equipment in accordance with established safety practices.
- is trained in the proper care and use of personal protective equipment such as rubber gloves, hard hat, safety glasses or face shields, arc-flash clothing, etc., in accordance with established safety practices.
- is trained to render first aid.
- has received safety training to recognize and avoid the hazards involved.
- has the skills and knowledge pertaining to the construction and operation of this equipment and its installation.

IMPORTANT: These procedures do not claim to cover all possible details or variations encountered with the installation of these covers, nor do they provide for all possible conditions that may be encountered. If further information is desired or needed to address any particular issue not covered in this document, contact your Bussmann series product representative. The information in this document does not relieve the user from exercising

good judgment, nor from using sound safety practices.

Note: Because Eaton has a policy of continuous product improvement, we reserve the right to change design specifications without notice. Should a conflict arise between the general information in this document and the contents of drawings or supplementary material, or both, the latter shall take precedence.

Safety concerns

This installation manual is not comprehensive. It is assumed the installer will follow established safety procedures for working in an electrical environment. For more information on safety precautions and procedures, consult the following websites:

National Fire Protection Association (NFPA) www.nfpa.org

Underwriters Laboratories (UL) www.ul.com

National Electrical Mfgs. Association (NEMA) www.nema.org

American National Standards Association (ANSI) www.ansi.org

Institute of Electrical and Electronics Engineers (IEEE) www.ieee.org

Cover installation

Step 1. De-energize and lockout the circuit/equipment following established safety procedures.

Step 2. Remove indicating CUBEFuse. Examine the fuse for a bare wire protruding from the indicator window or base as shown (wire thickness enhanced for visual reference).

NOTE: if removing the CUBEFuse from a Compact Circuit Protector (CCP), the switch MUST be in the OFF position.

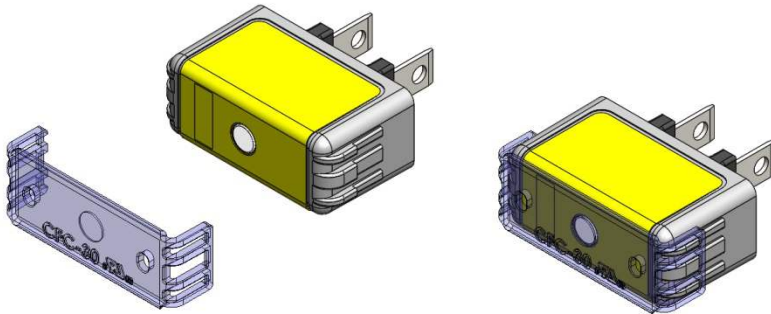


Step 2a. If a wire is present, return the unit to your authorized Bussmann source to receive a no-cost replacement unit.

Step 2b. If no wire is detected, proceed to step 3 for cover installation procedures.

Step 3. Select a cover appropriate for the CUBEFuse case size (see table on page 1).

Step 4. Remove the adhesive backing from the cover and slip the cover over the CUBEFuse, as shown below, until it is fully seated and snaps into place.



Step 5. Apply pressure along the top surface to activate the adhesive and check to be sure the cover clips securely over each end.

Step 6. Reinsert the CUBEFuse back into the holder or CCP until fully seated.

Note: CCP MUST be in the OFF position for CUBEFuse to be inserted.

Step 7. Perform steps 1 to 6 above for all CUBEFuse units.

Step 8. Once all CUBEFuse units have been inspected and the preceding steps performed, reenergize the circuit/equipment following established safety procedures.

Step 9. Package and ship all CUBEFuse units with exposed wires per the Return Merchandise Authorization (RMA).

If you should have any questions about these instructions, contact Applications Engineering M-F 7:00 a.m. to 5:00 p.m. Central Time by calling toll-free 855-287-7626 or by emailing FuseTech@Eaton.com.



Eaton Corporation
Bussmann Division
114 Old State Road
Ellisville, MO 63021
United States

Appendix B

Confirmation of Action and Request for Countermeasures

Important Product Safety Bulletin

Bussmann series Indicating CUBEFuse

Please supply the requested company information and return by Email to:
CUBEFuseCampaign@Eaton.com

Please describe the specific products to be addressed through the procedure described in Appendix A. It is acceptable to use a separate list containing the same information.

<u>Catalog Number</u>	<u>Date Code</u>	<u>Quantity</u>

Company Name: _____

Contact Name: _____

Contact Title: _____

Contact Phone: _____

Ship-to Address: