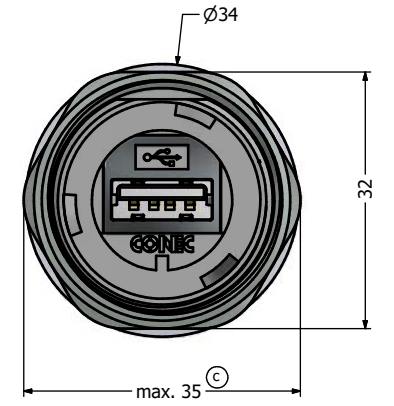
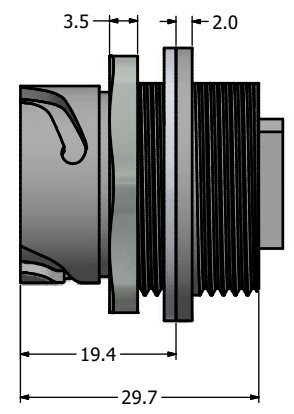
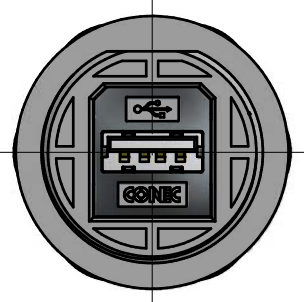
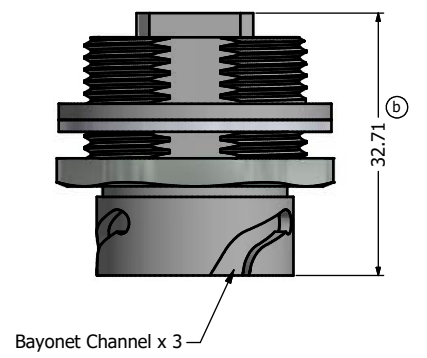
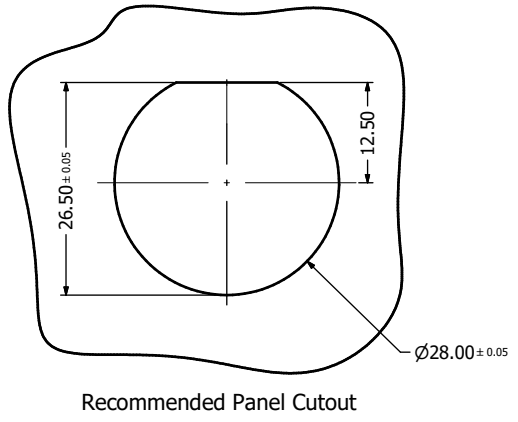
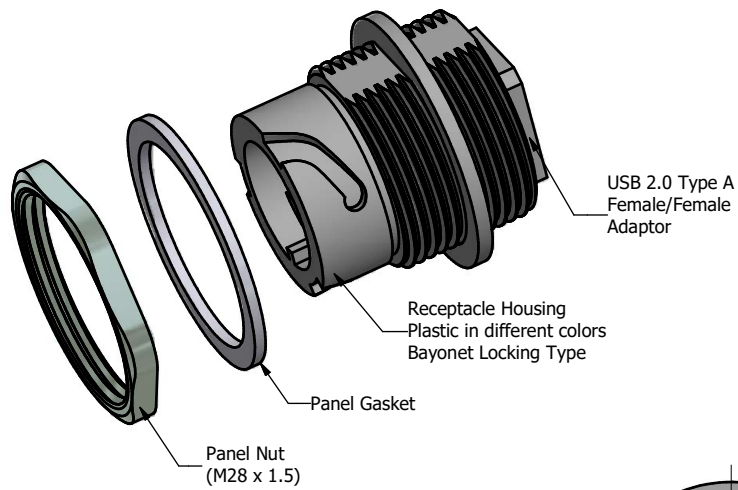


6 5 4 3 2 1



**Notes:**

- Electrical Specifications:
  - Meets USB 2.0 Specification
  - Contact Resistance: 30 mOhm max.
  - Insulation Resistance: 1000 MOhm min. @ 100 VDC
  - Current Rating: 1.5 A max. at 25° C
  - Working Voltage: 30 V (RMS) max.
  - DWV: 500 VAC/60s at sea level
  - Operating Temperature: -40° C to +85° C

- Material and Finish:
  - Receptacle Housing: Polyester, UL94 V-0, Color: see P/N Table
  - Panel Nut: Brass, Finish: Nickel Plated
  - Panel Gasket: Silicon, Color: White
  - USB Adaptor Insulator: PBT, UL94 V-0, Black
  - USB Adaptor Metal Shell: Copper Alloy, Nickel Plated
  - USB Adaptor Overmold material: PBT UL94 V-0, Color: Black
  - USB Contacts: Copper Alloy, Finish: 30 u" Gold min. over Nickel
- Connector can be front or rear mounted to a maximum panel thickness of 3.2 mm.
- IP67 rated when covered or fully mated with the appropriated mating connector

**Pin-Assignment**

Type A F	Type A F
Pin1 -----	Pin1
Pin2 -----	Pin2
Pin3 -----	Pin3
Pin4 -----	Pin4
Shell -----	Shell

RoHS compliant

Description	Colored Plastic Receptacle Housing with USB 2.0 Type A F/F Adaptor					
Plastic Receptacle Housing Color	Black	Blue	Green	Yellow	Red	White
Part Number	17-200001	17-200901	17-200911	17-200921	17-200931	17-200941

THIS DRAWING MAY NOT BE COPIED OR REPRODUCED IN ANY MANNER OR ON TO A THIRD PARTY WITHOUT WRITTEN PERMISSION FROM CONEC CORPORATION. OWNERSHIP AND COPYRIGHT OF CONEC CORPORATION.	Customer:		Tolerance Unless otherwise specified		Autodesk Inventor	Scale:	Dim. in mm	
	Name	Title	Approval Date	0 PLC ±0.50 1 PLC ±0.38 2 PLC ±0.25 3 PLC ±0.10 ANGLES ±3°		Material: See Notes		
	1 x c	A21-0426	02.11.2021	Bub	2011	Date	Name	Title:
	b	1 x b	May/15/2013	Vincent ke	Draw.	Nov. 03	Vincent Ke	IP67 USB Receptacle Assembly Kit with USB 2.0 Type A F/ F Adaptor
	a	original			Appd.	Nov. 03	J. Chaudry	
Rev	Changes	Date	Name	Norm			Drawing No.: 17K1A301	DIN A3
							Part No.: SEE PART NUMBER TABLE	Sheet 1/1

D  
C  
B  
A

D  
C  
B  
A

6 5 4 3 2 1