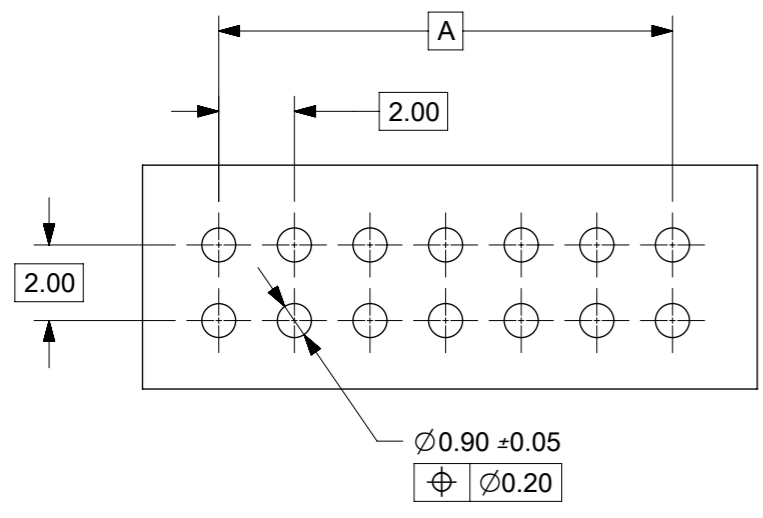
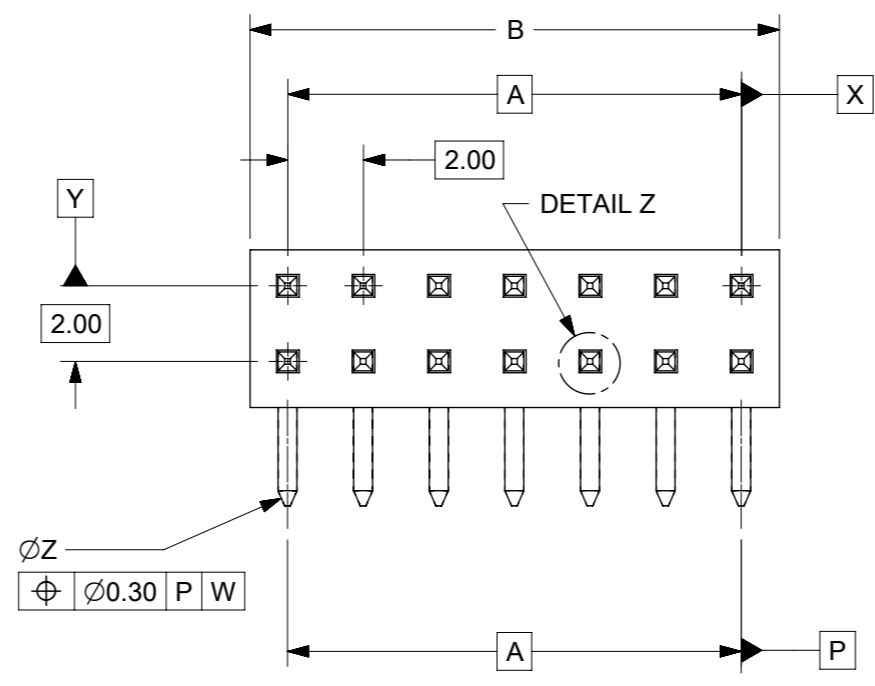
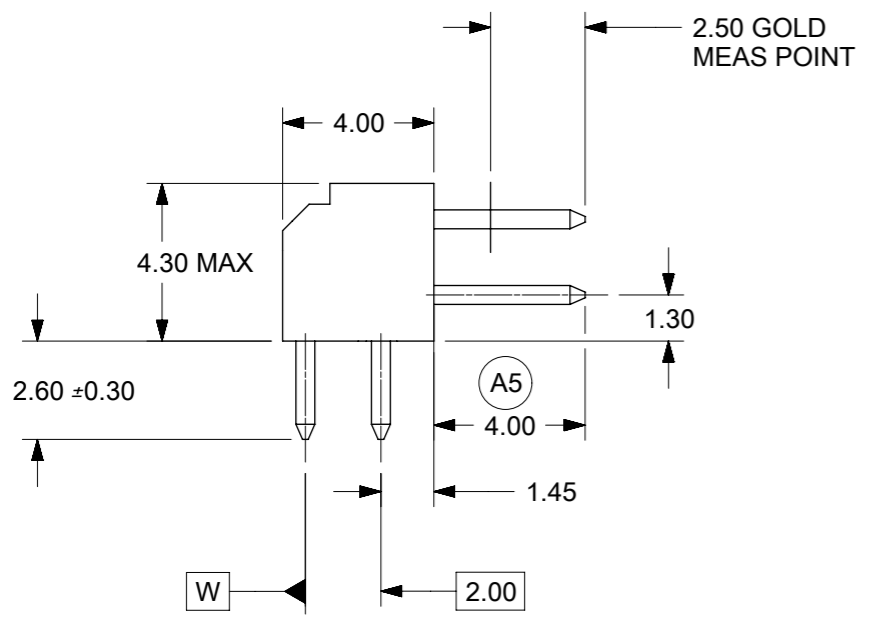


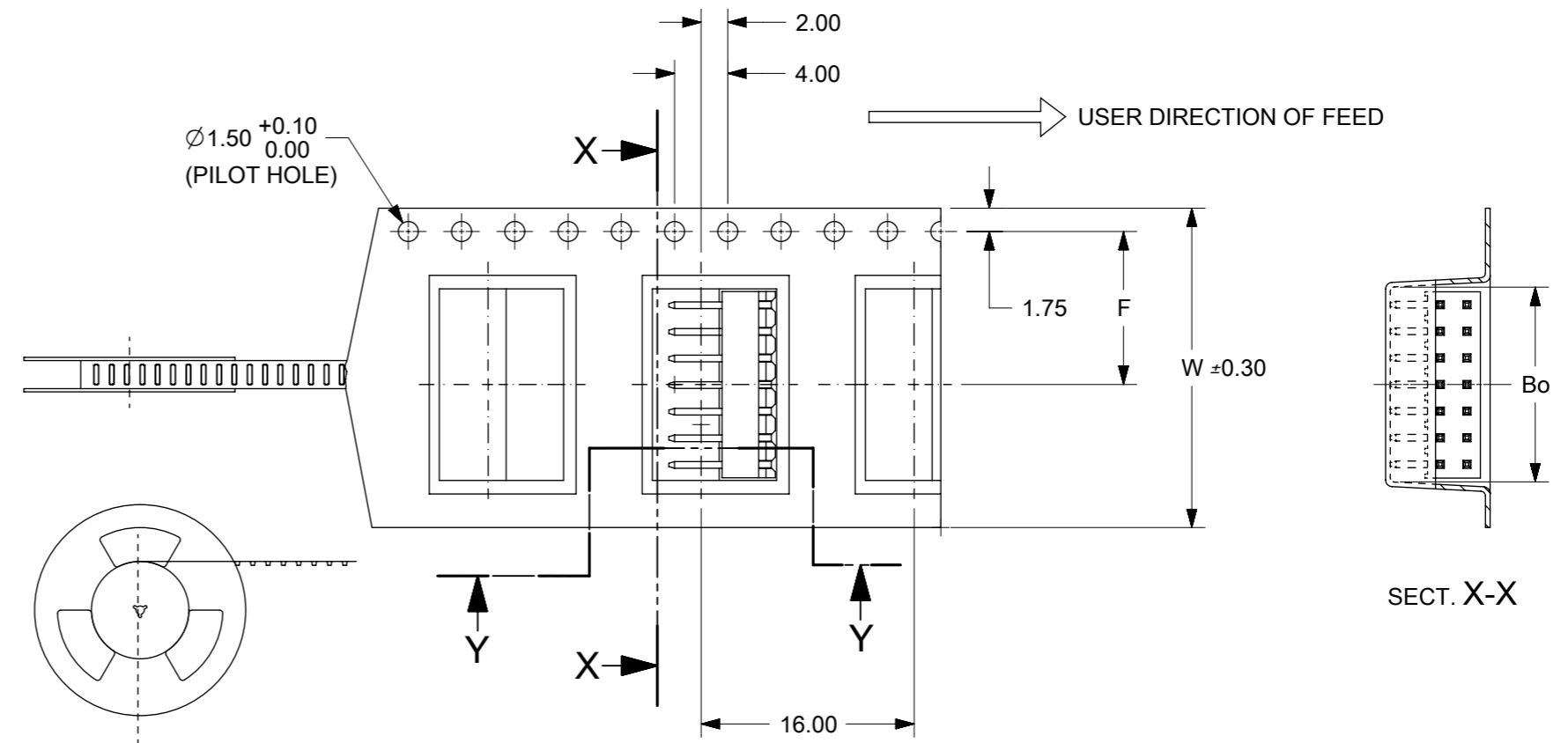
- NOTES:**
1. MATERIAL:  
HSG: PCT, GLASS FILLED, UL 94V-0,  
COLOUR BLACK.  
PIN: 0.50MM SQ PHOSPHOR BRONZE 510
  2. PLATING:  
0.38µm MIN GOLD IN CONTACT AREA,  
TIN IN SOLDER TAIL AREA, BOTH OVER  
NICKEL OVERALL
  3. 14 CKT USED FOR ILLUSTRATION ONLY
  4. PART TO BE PACKED IN TAPE & REEL (SEE SHT 2).
  5. PRODUCT SPEC PS-87761-100 APPLIES.
  6. RECOMMENDED PCB BOARD THK 1.60±0.10 MM.



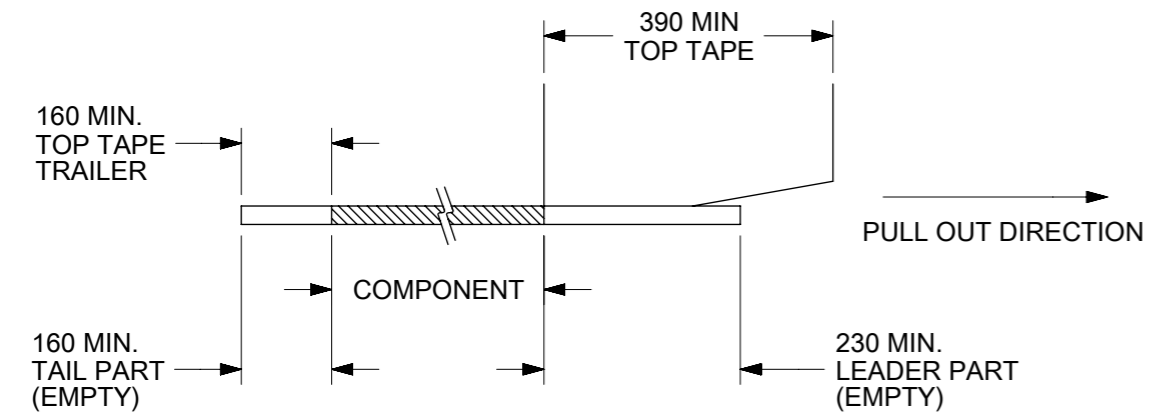
RECOMMENDED PCB LAYOUT

THIS DRAWING CONTAINS INFORMATION THAT IS PROPRIETARY TO MOLEX ELECTRONIC TECHNOLOGIES, LLC AND SHOULD NOT BE USED WITHOUT WRITTEN PERMISSION											
DIMENSION UNITS		SCALE		CURRENT REV DESC: ADD PIN LENGTH DIM.						<b>molex</b>	
mm		NTS									
GENERAL TOLERANCES (UNLESS SPECIFIED)				EC NO: 603144		DRWN: SCS02		2018/08/20		SALES DRAWING	
				CHK'D: ISHWARG		APPR: ISHWARG		2018/08/21		MGRID, 2MM DUAL ROW HDR. IN TAPE & REEL, R/A	
				APP'R: SKTOH		2003/10/17		2003/12/11		PRODUCT CUSTOMER DRAWING	
4 PLACES ±				INITIAL REVISION:		DRWN: KSEE		2003/10/17		DOCUMENT NUMBER	
3 PLACES ±				APP'R: SKTOH		APPR: SKTOH		2003/12/11		SD-87760-147	
2 PLACES ± 0.2				DRAFT WHERE APPLICABLE MUST REMAIN WITHIN DIMENSIONS		THIRD ANGLE PROJECTION		DRAWING		DOC TYPE	
1 PLACE ±						A3-SIZE		SERIES		DOC PART	
0 PLACES ±						87760		MATERIAL NUMBER		REVISION	
ANGULAR TOL ± 1.0°						SEE TABLE		CUSTOMER		A5	
DRAFT WHERE APPLICABLE MUST REMAIN WITHIN DIMENSIONS						GENERAL MARKET		SHEET NUMBER		1 OF 2	

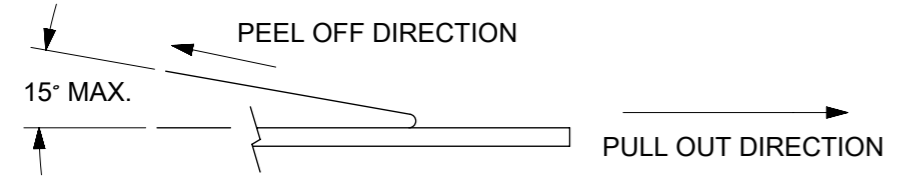
PART NUMBER (IN TAPE/REEL)	PART NUMBER (IN TRAY)	CKT SIZE	A	B	Bo	F	So	W
87760-8010	87760-1416	14	12.00	14.00	14.40	11.50	-	24.00
87760-8112	87760-1216	12	10.00	12.00	12.40	11.50	-	24.00
87760-8015	87760-2216	22	20.00	22.00	22.35	20.20	-	44.00
87760-8016	87760-0616	06	4.00	6.00	6.10	7.50	-	16.00



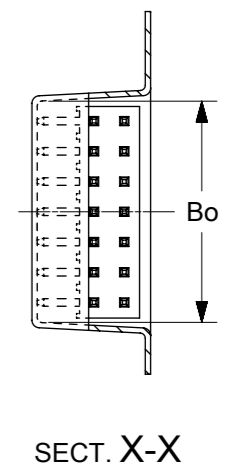
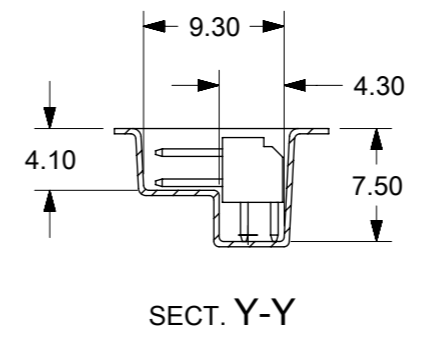
NOTES:  
1. LEADER AND TRAILER TAPE



2. PEELING OFF FORCE OF THE TOP TAPE: 20-80gf.  
(PEELING DIRECTION AS SHOWN IN FOLLOWING FIGURE)



3. PACKAGING STANDARD IS AS PER EIA-481.  
4. TAPE & REEL QUANTITY = 500 PCS/REEL



THIS DRAWING CONTAINS INFORMATION THAT IS PROPRIETARY TO MOLEX ELECTRONIC TECHNOLOGIES, LLC AND SHOULD NOT BE USED WITHOUT WRITTEN PERMISSION		CURRENT REV DESC: ADD PIN LENGTH DIM.		<b>molex</b>	
SALES DRAWING		MGRID, 2MM DUAL ROW HDR. IN TAPE & REEL, R/A			
GENERAL TOLERANCES (UNLESS SPECIFIED)		EC NO: 603144		PRODUCT CUSTOMER DRAWING	
4 PLACES ±		DRWN: SCS02 2018/08/20		DOCUMENT NUMBER	
3 PLACES ±		CHK'D: ISHWARG 2018/08/21		SD-87760-147	
2 PLACES ± 0.2		APPR: ISHWARG 2018/08/21		DOC TYPE DOC PART REVISION	
1 PLACE ±		INITIAL REVISION:		PSD 001 A5	
0 PLACES ±		DRWN: KSEE 2003/10/17		MATERIAL NUMBER	
ANGULAR TOL ± 1.0°		APPR: SKTOH 2003/12/11		CUSTOMER	
DRAFT WHERE APPLICABLE MUST REMAIN WITHIN DIMENSIONS		THIRD ANGLE PROJECTION		SHEET NUMBER	
DRAWING		SERIES		GENERAL MARKET	
A3-SIZE		87760		2 OF 2	