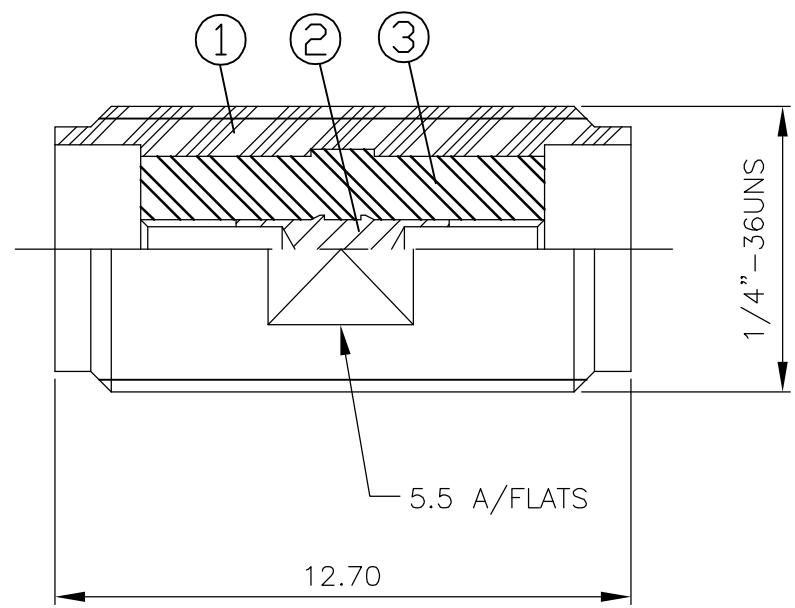


THIS DRAWING IS UNPUBLISHED. RELEASED FOR PUBLICATION APRIL , 2004.
 © COPYRIGHT 2004 BY TYCO ELECTRONICS CORPORATION. ALL RIGHTS RESERVED.

LOC	DIST	REVISIONS					
E	B	P	LTR	DESCRIPTION	DATE	DWN	APVD
		A		EBD0-0035-03	06FEB04	RS	FWK

- NOTES:
- ① SINGLE PACK IN ACCORDANCE WITH SPEC 107-3275
 - ② 100 TRAY PACK IN ACCORDANCE WITH SPEC 107-3275
 - ③ 0.08µm Au PLATING OVER 1.27µm Ni PLATING
 - ④ 0.08µm Au PLATING OVER 1.27µm Ni PLATING OVER 0.76µm Cu PLATING
 - ⑤ 0.76µm Au PLATING OVER 1.27µm Ni PLATING OVER 0.76µm Cu PLATING
 - ⑥ PASSIVATED
 - ⑦ WHITE BRONZE PLATING
 - 8 FOR TECHNICAL DATA REFER TO YOUR LOCAL TYCO ELECTRONICS SALES OFFICE
 - 9 ALL DIMENSIONS ARE NOMINAL FOR REFERENCE ONLY UNLESS OTHERWISE STATED



1	1	1	1	1	1	1	1	PTFE	INSULATOR	3
1	1	1	1	1	1	1	1	BRASS	⑤ CENTER CONTACT	2
1	1	-	-	-	-	-	-	BRASS	⑦ SHELL	1
-	-	1	1	-	-	-	-	BRASS	④ SHELL	1
-	-	-	-	1	1	-	-	STAINLESS STEEL	⑥ SHELL	1
-	-	-	-	-	-	1	1	STAINLESS STEEL	③ SHELL	1
4--1	4--0	3--1	3--0	2--1	2--0	1--1	1--0	MATERIAL	DESCRIPTION	ITEM
②	①	②	①	②	①	②	①	QUANTITY PER ASSY		
								PARTS LIST		

THIS DRAWING IS A CONTROLLED DOCUMENT.		DWN R.SMITH 06FEB04	Tyco Electronics Corporation Bideford, UK, EX39 4HE	
DIMENSIONS: mm		CHK S.PARLOW 06FEB04		
		APVD F.WHEELER-KING 06FEB04	NAME SMA STRAIGHT ADAPTOR JACK - JACK	
TOLERANCES UNLESS OTHERWISE SPECIFIED:		PRODUCT SPEC	-	
0 PLC ± -		APPLICATION SPEC	-	
1 PLC ± -		WEIGHT	-	
2 PLC ± -		SIZE	CAGE CODE	DRAWING NO
3 PLC ± -		A3 00779		C=1478980
4 PLC ± -		RESTRICTED TO		
ANGLES ± -		-		
FINISH		-		
MATERIAL SEE TABLE		CUSTOMER DRAWING		
		SCALE	SHEET	REV
		1:1	1 OF 1	A