

THIS DRAWING IS UNPUBLISHED.

RELEASED FOR PUBLICATION

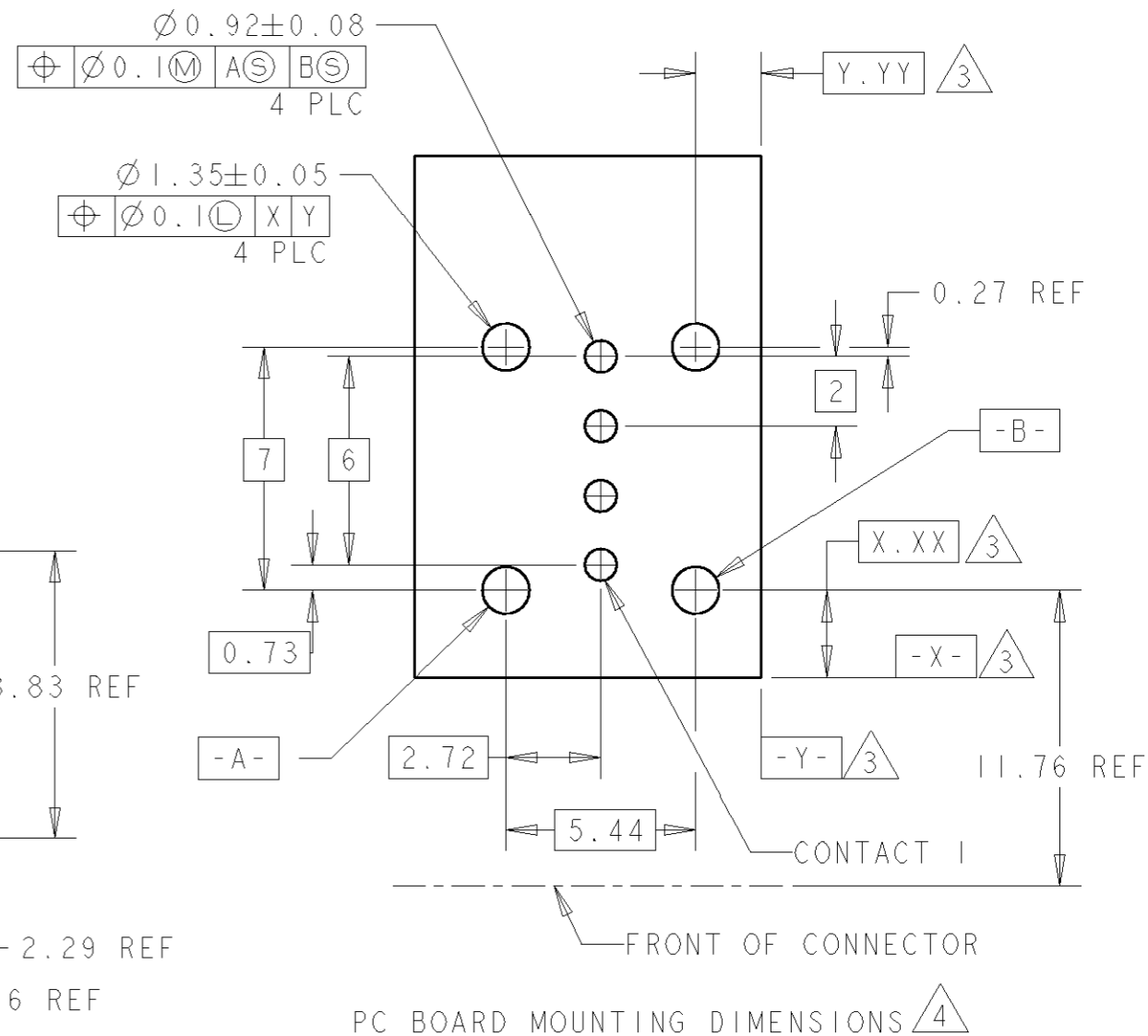
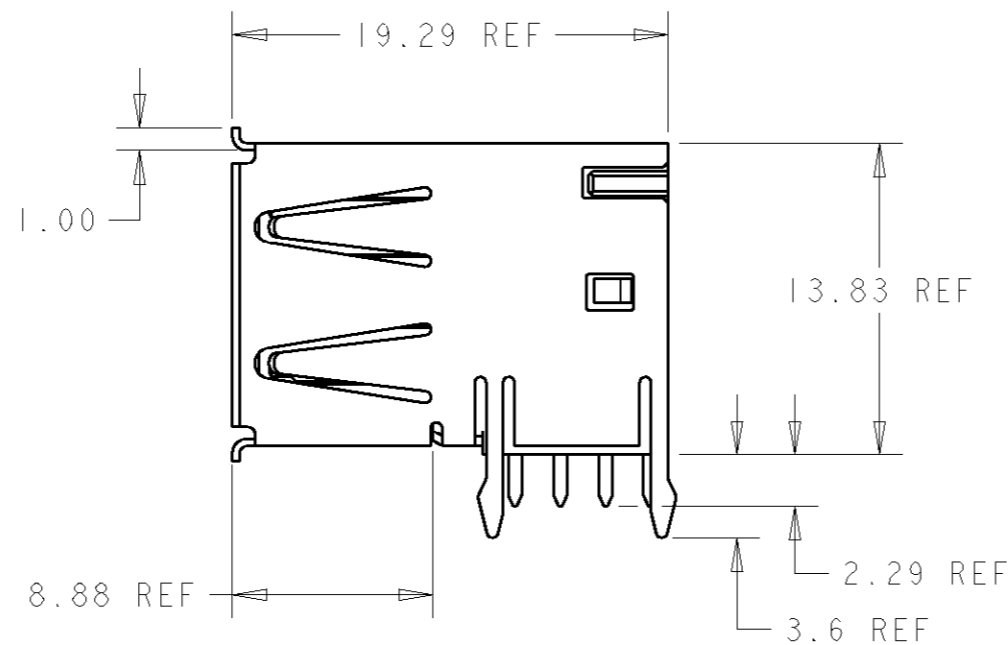
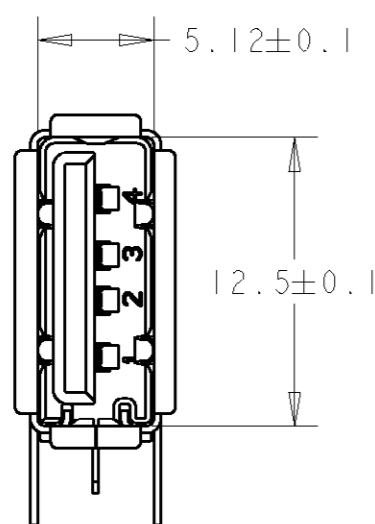
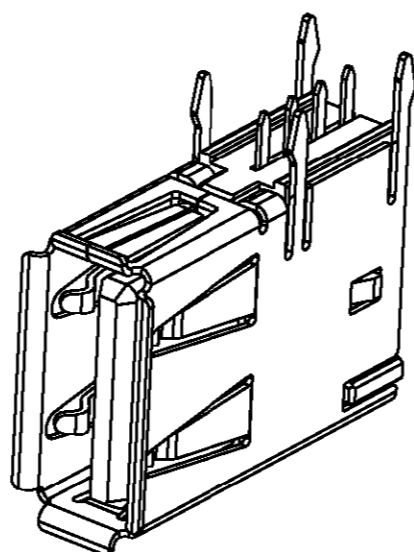
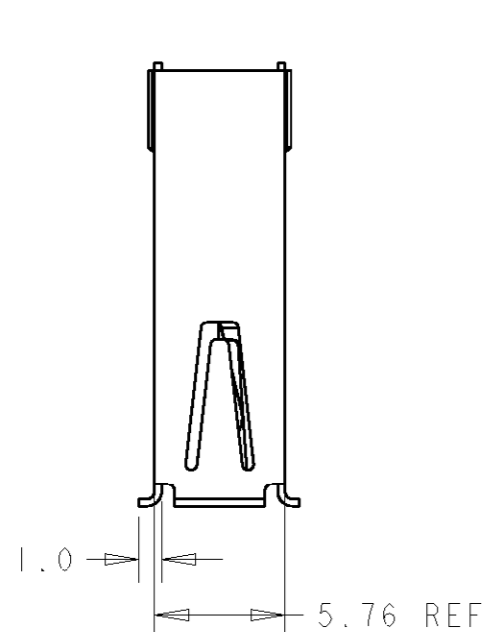
© COPYRIGHT

ALL RIGHTS RESERVED.

LOC GP DIST 00

REVISIONS

P	LTR	DESCRIPTION	DATE	DWN	APVD
		C1 REVISED PER ECO-11-005294	11APR11	RK	HMR



1 MATERIAL:
CONTACTS- PHOSPHOR BRONZE.
SHELL- COPPER ALLOY.

2 PLATING:
CONTACTS- 0.076µm MINIMUM GOLD OVER 0.76µm MINIMUM PALLADIUM-NICKEL ON MATING AREA, 3.8µm MINIMUM TIN-LEAD ON SOLDER TAILS, BOTH OVER 1.27µm MINIMUM NICKEL.
SHELL- 5µm MINIMUM BRIGHT TIN.
CONTACT ALTERNATE PLATING: 0.76µm MINIMUM GOLD ON MATING AREA.

3 DATUMS AND BASIC DIMENSIONS ESTABLISHED BY CUSTOMER.

4 RECOMMENDED PC BOARD THICKNESS OF 1.57±0.18.

5 HOUSING- UL 94V-0 RATED THERMOPLASTIC, NATURAL.

6 HOUSING- UL 94V-0 RATED, THERMOPLASTIC, BLACK.

DIMENSIONS: mm		TOLERANCES UNLESS OTHERWISE SPECIFIED:		DWN J.Reitzel 28FEB2003		TE Connectivity			
		0 PLC ±- 1 PLC ±- 2 PLC ±0.13 3 PLC ±- 4 PLC ±- ANGLES ±-		CHR J.GERACE 28FEB2003 APVD M.WALMSLEY 28FEB2003				NAME	
MATERIAL SEE TABLE		FINISH -		PRODUCT SPEC -		APPLICATION SPEC -		RECEPTACLE ASSEMBLY. RIGHT ANGLE FLAG, 4 POSITION, THRU-HOLE, USB	
				WEIGHT -		SIZE A3		CAGE CODE 00779	
				CUSTOMER DRAWING		DRAWING NO C-440260		RESTRICTED TO -	
						SCALE 5:1		SHEET 1 OF 1	
								REV C1	

1	5	440260-2
1	6	440260-1
MATERIAL		PART NUMBER