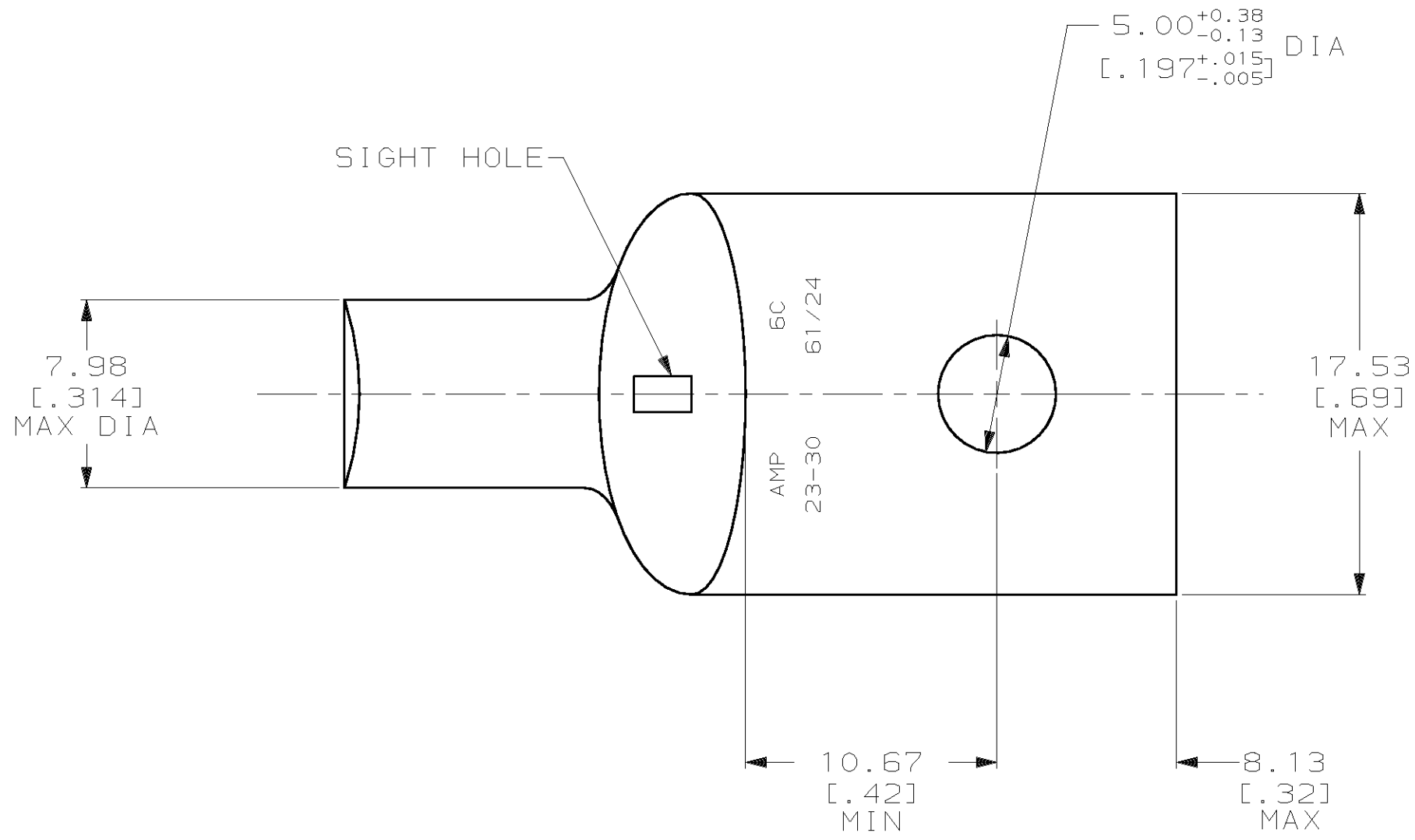
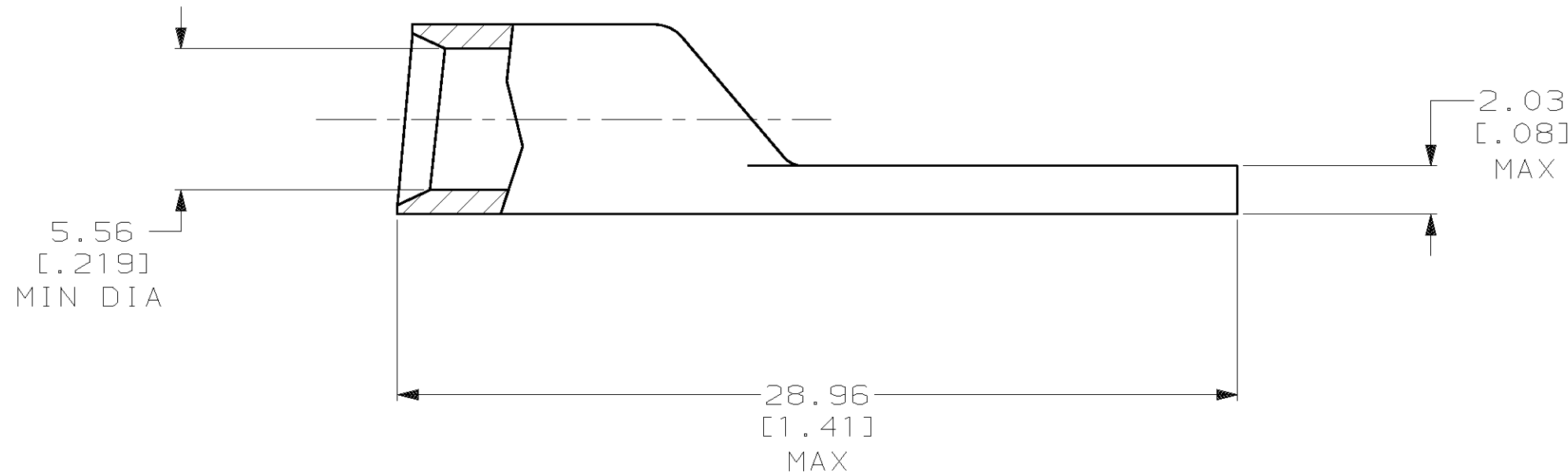


THIS DRAWING IS UNPUBLISHED. RELEASED FOR PUBLICATION
 © COPYRIGHT 19 BY AMP INCORPORATED. ALL INTERNATIONAL RIGHTS RESERVED.

LOC		DIST		P		F		ZONE		LTR		REVISIONS		DATE	APPD
G		86								T		REV / 0G10-0059-99		26APR99	ME/TM



1 CIRCULAR MIL AREA RANGE: 20,800-33,100 CM
 2 TIN PL 0.00381 [0.00150] MIN THK PER ASTM B 545



328141

B

A

328141
 PART NO

DO NOT SCALE PRINT. UNLESS SPECIFIED DIMENSIONS IN mm [INCHES] TOLERANCES ON: 2 PLC DEC ± 0.51 [0.020] 3 PLC DEC ± - ANGLES ± -	DR 03/09/90 DK SCHRUM	AMP INCORPORATED Harrisburg, Pa. 17105
	CHK 19JAN95 MS FEHER	
MATERIAL ANNEALED COPPER ASTM B-152	APPD 19JAN95 WJ VOCKROTH	NAME
	APPD 19JAN95 TL SHUTTER	TERMINAL, AMPOWER™, WIRE SIZE: 6 AWG
FINISH △	PRODUCT SPEC 108-30200	SIZE C
	APPLICATION SPEC -	CAGE CODE 00779
	WEIGHT .016 LB	DRAWING NO 328141
		SCALE 4:1
		SHEET 1 OF 1

