

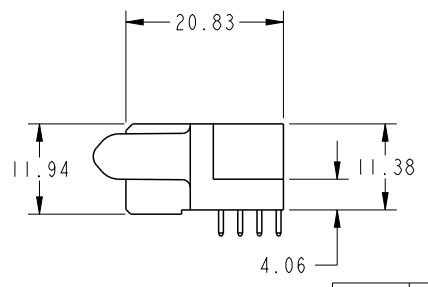
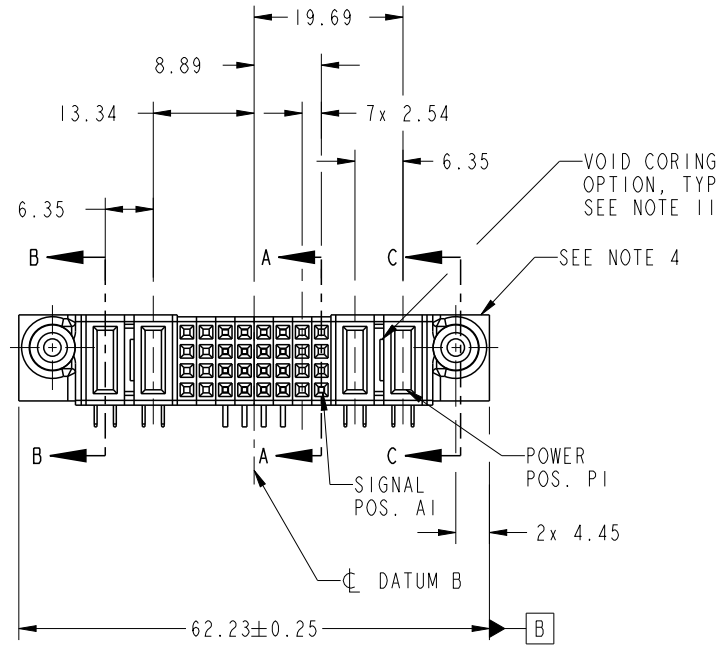
1

2

3

4

PRODUCT NO.	ROWS	POWER			SIGNAL							POWER		E1	
		E2	P4	P3	8	7	6	5	4	3	2	1	P2		P1
51770-046-- NOTE 3	D C B A		PC	PC	X	X	H	H	H	H	X	X	PC	PC	
					X	X	G	G	G	G	X	X			
					X	X	F	F	F	F	X	X			
					X	X	E	E	E	E	X	X			



CODE	DIM "M" MATING LENGTH	CONTACT TYPE
PC	[2.34]	POWER
H	[2.34]	SIGNAL
G	[2.34]	SIGNAL
F	[2.34]	SIGNAL
E	[2.34]	SIGNAL
X	OMITTED	OMITTED



Copyright FCI.

spec ref	SEE NOTES			dr	De-Ming Lu	2014/03/10	projection 	MM ←→	size	A4	scale	1:1
tolerance std	TOLERANCES UNLESS OTHERWISE SPECIFIED			eng	De-Ming Lu	2014/04/02			ecn no	-		
SEE NOTES				chr	-	-			rel level	Released		
surface ✓	linear	0.X	±0.50	FCI	title	2P + 32S + 2P		dwg no	51770-046		rev	A
		0.XX	±0.25			R/A SOLDER RECEPTACLE						
		0.XXX	±0.10			www.fci.com	cat. no.		Product - Customer Drw			sheet 1 of 4
	angular	0°	±2°									

PrdE File - REV C - 2009-06-09

1

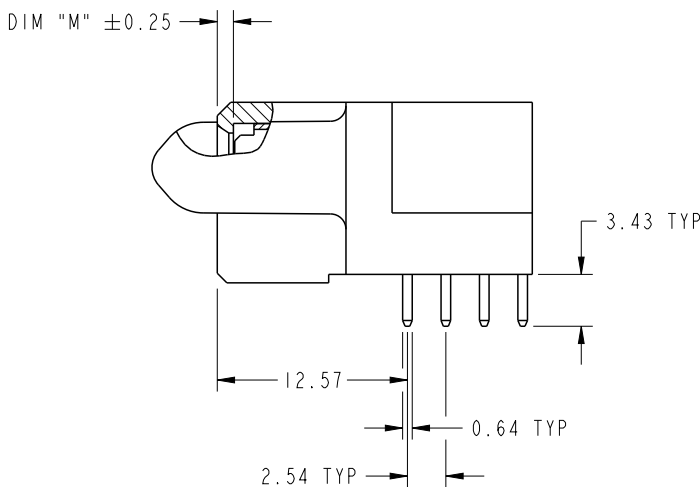
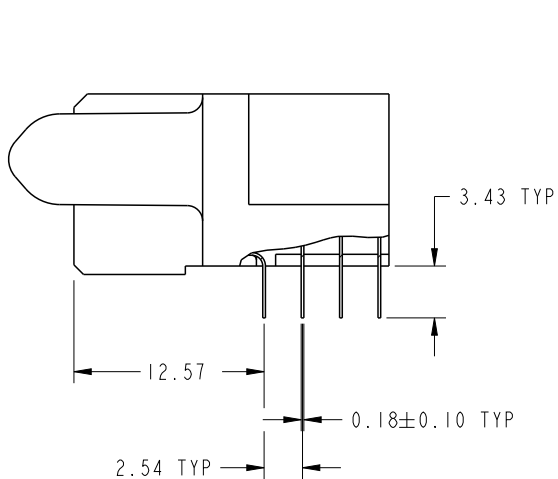
2

3

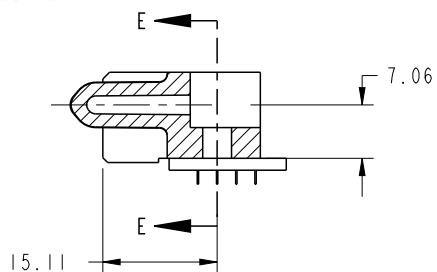
4

PRODUCT NUMBER

51770-046__
NOTE 3

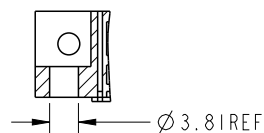


BROKEN-OUT SECTION A-A
SCALE 2:1



SECTION C-C

BROKEN-OUT SECTION B-B
SCALE 2:1

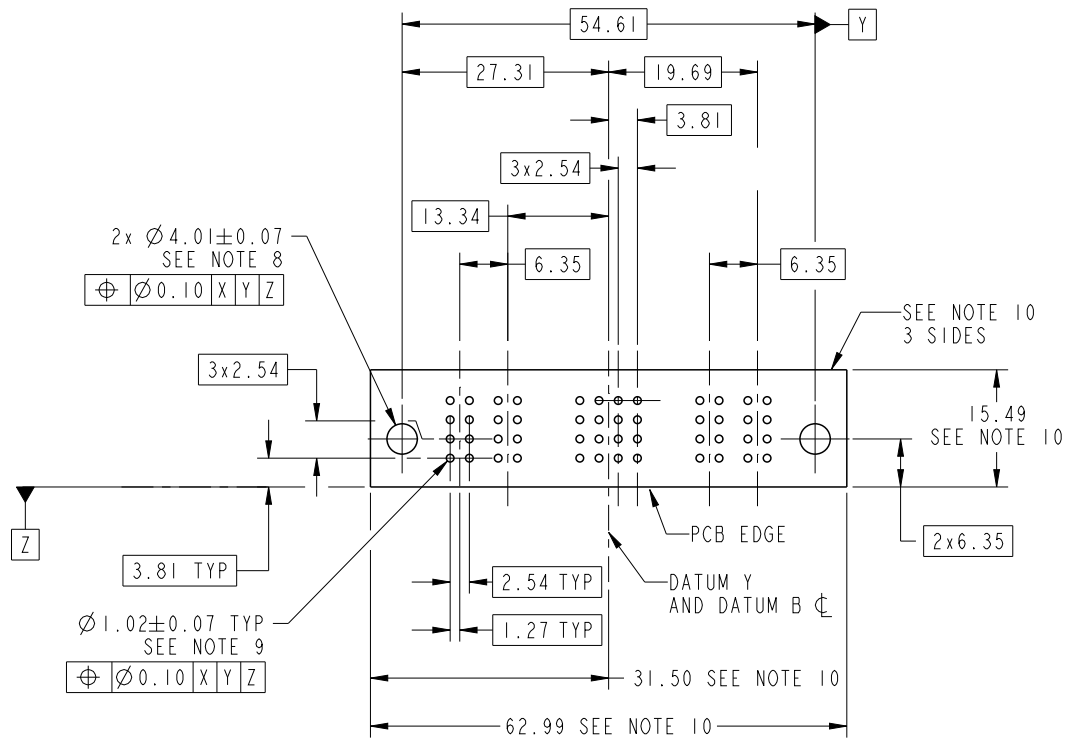


PARTIAL SECTION E-E

dr	De-Ming Lu	2014/03/10	projection 	MM ←→	size	A4	scale	1:1	
eng	De-Ming Lu	2014/04/02			ecn no	-			
chr	-	-			rel level	Released			
appr	Pei-Ming Zheng	2014/04/02	product family	PwrBlade					
		title	2P + 32S + 2P R/A SOLDER RECEPTACLE		dwg no	51770-046		rev	A
www.fci.com		cat. no.	Product - Customer Drw			sheet 2 of 4			

PRODUCT NUMBER

51770-046__
NOTE 3



RECOMMENDED PCB LAYOUT



Copyright FCI.

dr	De-Ming Lu	2014/03/10	projection 	MM 	size	A4	scale	1:1		
eng	De-Ming Lu	2014/04/02			ecn no	-				
chr	-	-			rel level	Released				
appr	Pei-Ming Zheng	2014/04/02	product family	PwrBlade						
	title			2P + 32S + 2P		dwg no		51770-046	rev	A
www.fci.com		cat. no.		Product - Customer Drw			sheet 3 of 4			

PrdrE File - REV C - 2009-06-09

PRODUCT NUMBER

51770-046--
NOTE 3

NOTES:

1. DIMENSIONS AND TOLERANCES ARE IN ACCORDANCE WITH ASME Y14.5M, 1994 UNLESS OTHERWISE SPECIFIED.

CONNECTOR NOTES:

- 2. HOUSING MATERIAL: UL 94 V-0 GLASS FILLED HIGH-TEMP THERMOPLASTIC
POWER CONTACT MATERIAL: COPPER ALLOY
SIGNAL PIN MATERIAL: COPPER ALLOY
- 3. SEE ITEM 5 & 6 IN PRINT 10064183 FOR PLATING SPEC OF 51770-046 AND 51770-046LF RESPECTIVELY.

4. MANUFACTURER'S NAME, DATE CODE AND OPTIONAL P/N TO APPEAR ON THIS SURFACE. THE MARK CAN BE OMITTED IF THERE IS NOT ENOUGH SPACE ON THIS SURFACE.

5. PRODUCT SPECIFICATION GS-12-149.
APPLICATION SPECIFICATION BUS-20-067.

6. PACKAGED IN TRAYS.

PCB NOTES:

7. ALL HOLE DIAMETERS ARE FINISHED HOLE SIZE.

8. MOUNTING HOLES, WHERE APPLICABLE, ARE UNPLATED.

9. $\varnothing 1.151 \pm 0.025$ DRILLED HOLES PLATED WITH
0.008 MIN SnPb OR Sn OVER 0.03
TO 0.08 Cu PLATING TO ACHIEVE
 $\varnothing 1.02 \pm .07$ HOLE.

10. CONNECTOR KEEP-OUT ZONE.

11. THE VOID CORING IN BETWEEN POWER MODULES, SIGNAL MODULES AND END MODULES ARE OPTIONAL AND THE SHAPE MAY BE DIFFERENT FOR OPTIMIZE THE MOLDING PROCESS. THE VOID CORING WILL NOT EFFECT TO PRODUCT FUNCTION.

dr	De-Ming Lu	2014/03/10	projection 	MM 	size	A4	scale	1:1
eng	De-Ming Lu	2014/04/02			ecn no	-		
chr	-	-						
appr	Pei-Ming Zheng	2014/04/02	product family	PwrBlade	rel level	Released		
	title	2P + 32S + 2P R/A SOLDER RECEPTACLE		dwg no	51770-046		rev	A
www.fci.com	cat. no.	Product - Customer Drw			sheet 4 of 4			



Copyright FCI.