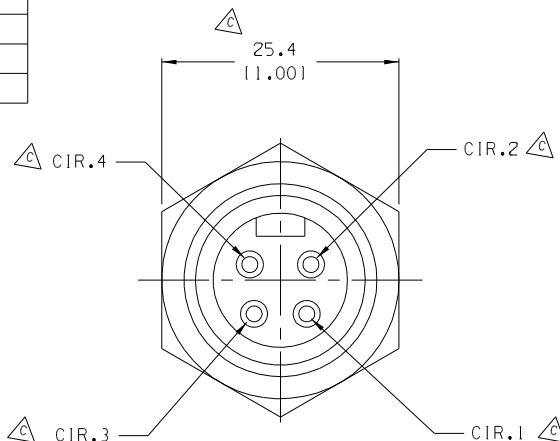


LENGTH CHART

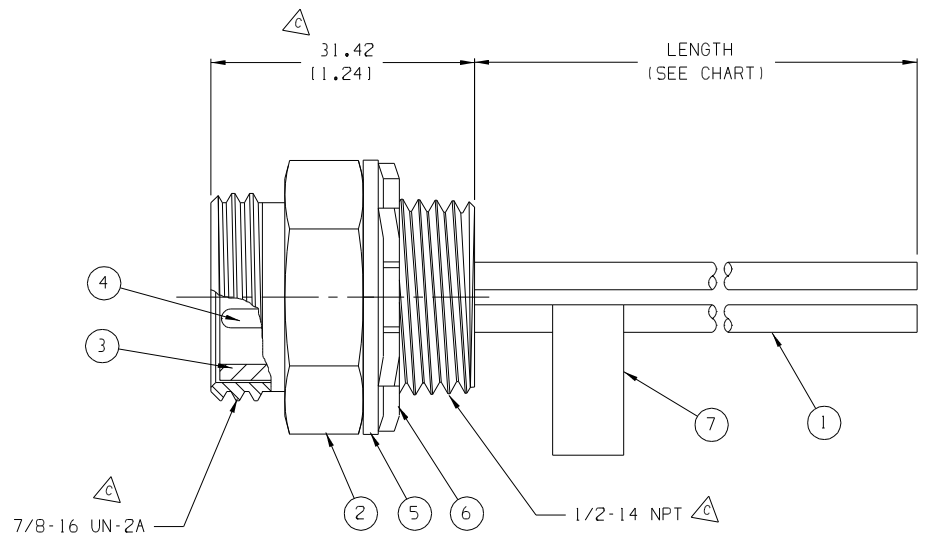
PART NO.	LENGTH
849150065	4M [13' 1 1/2"]
849150066	5M [16' 4 7/8"]
849150067	1M [3' 3 3/8"]
849150079	2M [6' 6 3/4"]



P1

1	BROWN
2	WHITE
3	BLUE
4	BLACK

WIRING DIAGRAM



NOTES:

1. MATERIAL: SEE TABLE
2. FINISHES: SEE TABLE
3. PRODUCT SPECIFICATION: NOT REQUIRED
4. PACKAGING: NOT REQUIRED
5. MATES WITH: MINI-C FEMALE (EURO), 4/C, 16 AWG
6. ELECTRICAL SPECIFICATIONS
VOLTAGE RATING: 600V
CURRENT RATING: 13 AMPS

ITEM	QTY.	DESCRIPTION	MATERIAL	FINISH
7	1	LABEL	MYLAR	BLACK/CHROME
6	1	LOCKNUT, 1/2-14 NPT	STEEL	ZINC PLATED
5	1	GASKET	NEOPRENE	BLACK
4	4	CONTACT PIN	CU ALLOY	GOLD PLATED
3	1	INSERT-PIN, 4/C	PVC	YELLOW
2	1	RECEPTACLE SHELL	ALUMINUM	BLACK ANODIZED
1	4	WIRE, 16 AWG	PVC JACKET	AS NOTED

EC NO. ECO 11572 DRWN: RS 07-09-04 CH: K: APPR:	DESCRIPTION MAJOR CRITICAL SPC S	GENERAL TOLERANCES: (UNLESS SPECIFIED)		SCALE 2:1	DESIGN UNITS <input type="checkbox"/> mm <input checked="" type="checkbox"/> INCH	THIRD ANGLE PROJECTION	PROJECT NO. -	-	-
		4 PLACES ±.0015 3 PLACES ±.005 2 PLACES ±.01 1 PLACE ±.3	mm INCH	DRAWN BY & DATE GF 2-11-00	DIMENSIONS: <input checked="" type="checkbox"/> mm <input type="checkbox"/> INCH <input type="checkbox"/> mm <input type="checkbox"/> ONLY			SHT	REV
C	REV	ANGULAR: ±2°		CHECKED BY & DATE R.STONE 02-04-02		TITLE: MINI-C, RECEPTACLE, MALE, 4 POLE, 16 AWG., EURO			
		DRAFT WHERE APPLICABLE MUST REMAIN WITHIN DIMENSIONS		APPROVED BY & DATE P.WALTZ 02-05-02		MOLEX INCORPORATED			
				CAD FILENAME SD-84915-0065	MATERIAL NO. SEE CHART	DRAWING NO. SD-84915-0065	SHEET NO. 1 OF 1		
						THIS DRAWING CONTAINS INFORMATION THAT IS PROPRIETARY TO MOLEX INCORPORATED AND SHOULD NOT BE USED WITHOUT WRITTEN PERMISSION.			
						SIZE B			