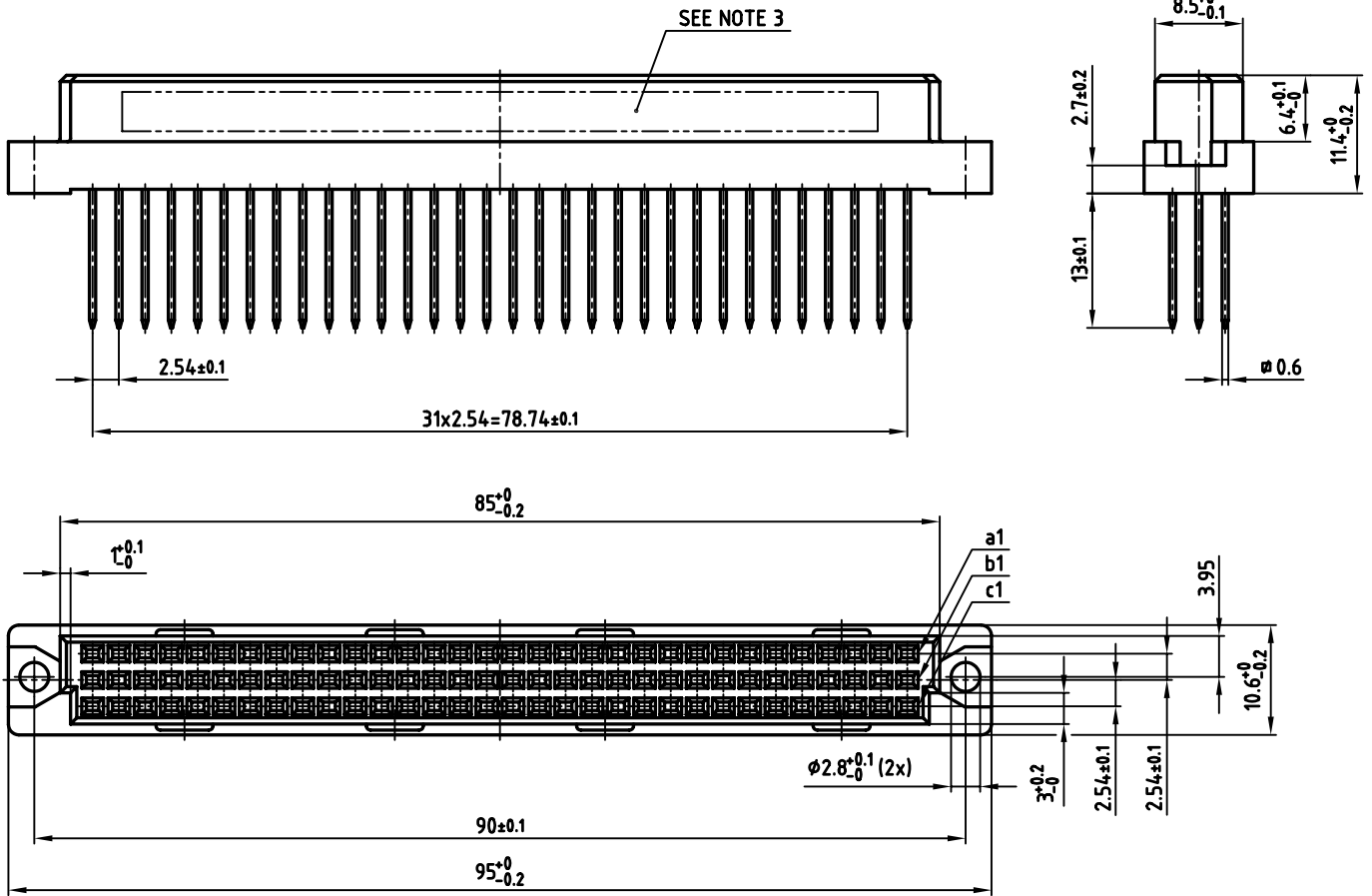


used for: DIN EN 60603-2 TYPE "C"

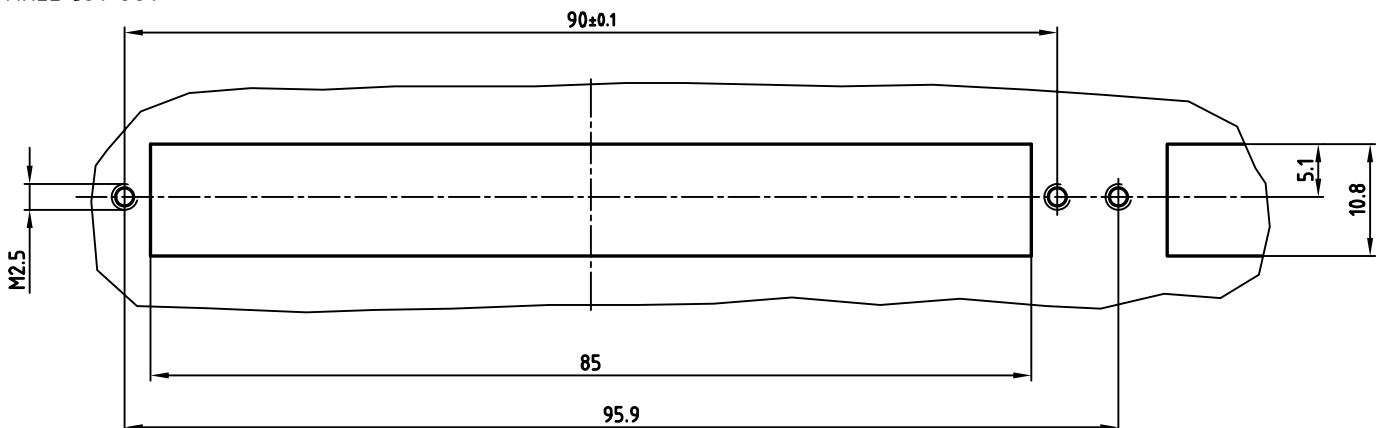


NOTES:

1. INSULATORS: PBTP UL 94 V-0, GREY
2. CONTACTS: COPPER ALLOY
PLATING: GOLD OVER NICKEL
50 MATING CYCLES
3. CONNECTOR IS PART MARKED: 122A10209X CONEC ABC



PANEL CUT OUT



APPROVAL # FREIGABE # DEBLOCAGE # AUTORIZACION # APPROVAL

CUSTOMER APPROVAL DATE:

NAME: TITLE:

COMPANY NAME:

APPROVAL # FREIGABE # DEBLOCAGE # AUTORIZACION # APPROVAL

THIS DRAWING MAY NOT BE COPIED OR REPRODUCED IN ANY WAY, AND MAY NOT BE PASSED ON TO A THIRD PARTY, WITHOUT WRITTEN PERMISSION. OWNERSHIP AND COPYRIGHT OF CONEC GmbH. DO NOT ALTER CAD DRAWING BY HAND

rev.	description	date	name
a	Origin		

tolerance	
2006	date
drawn	04.10. Lehmenkühler
appd.	04.10. Mickenbecker
norm	DIN EN 60603-2
d-old	
CONEC	

scale: 2:1

material: SEE NOTES

title: FEMALE CONNECTOR TYPE "C"
96pos. WIRE WRAP

dwg no: AutoCAD 2006 DIN-A

12K1A452 3

part no: 122A10209X sh:1/1