

DESIGNED AND DIMENSIONED IN MILLIMETERS(INCHES)  
ALL DIMENSIONS REFERENCE EXCEPT AS SHOWN

**Pb** THIS PRODUCT MANUFACTURED WITH LEAD-FREE PROCESSING

DO NOT SCALE FROM THIS PRINT

RF085-XXXX-XXXXXX-XXXX

CABLE CALLOUT  
085: HARBOUR SS405 CABLE

END 1 CONNECTOR  
(SEE TABLE 2, SHT 2)

END 2 CONNECTOR  
(SEE TABLE 2, SHT 2)

OVERALL ASSEMBLY LENGTH (OAL)  
XXXX (MILLIMETERS)  
(0100 MIN)

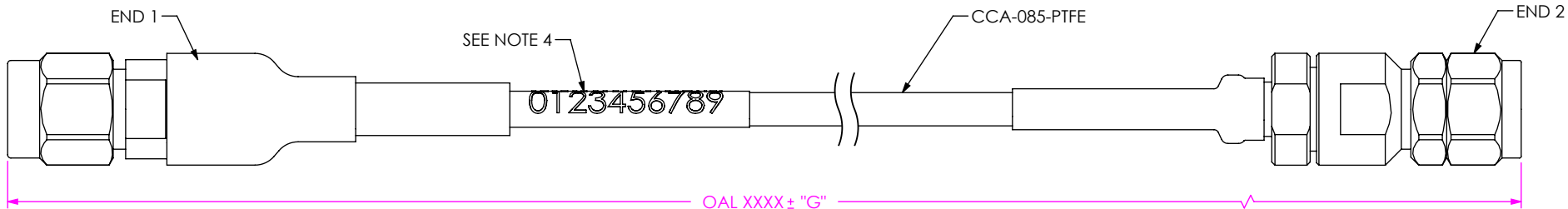


FIG 1  
RF085-92SP-24SP-XXXX SHOWN  
(PROTECTIVE CAPS NOT SHOWN FOR CLARITY)

OVERALL LENGTH	"G"
0100-0300 [3.94-11.81]	+5.0 [.20] / -0.0 [.00]
0301-1500 [11.85-59.01]	+12.0 [.47] / -0.0 [.00]
1501-3000 [59.09-118.11]	+25.0 [.98] / -0.0 [.00]
3001-7500 [118.15-295.28]	+50.0 [1.97] / -0.0 [.00]
7501-9999 [295.31-393.67]	+1% / -0.0 [.00]

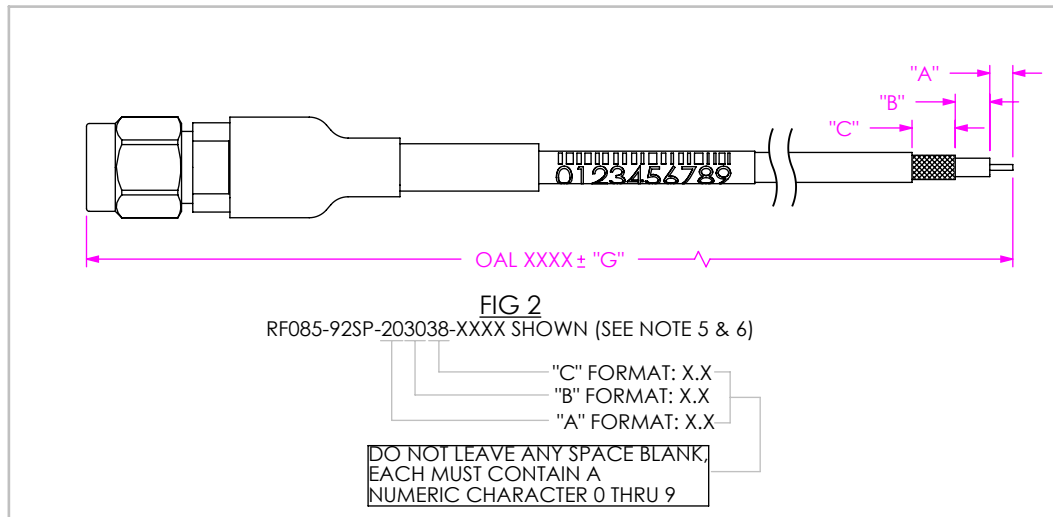


FIG 2  
RF085-92SP-203038-XXXX SHOWN (SEE NOTE 5 & 6)

"C" FORMAT: X.X  
"B" FORMAT: X.X  
"A" FORMAT: X.X

DO NOT LEAVE ANY SPACE BLANK;  
EACH MUST CONTAIN A  
NUMERIC CHARACTER 0 THRU 9

NOTES:

- CONNECTORS TO BE ORIENTED ACCORDING TO CO-RF-WI-3048-M.
- AFTER FINAL ELECTRICAL TEST, LABEL EACH CABLE ASSEMBLY WITH 1 LABEL-ET.
- CABLE ASSEMBLY TO HAVE PROTECTIVE CAP ASSEMBLED ON EACH END AND TO BE INDIVIDUALLY PACKAGED IN ESD BAG.
- ASSEMBLY TO BE 100% TESTED FOR RETURN LOSS AND INSERTION LOSS. LABEL EACH INDIVIDUAL CABLE ASSEMBLY WITH 1 LABEL-SER-02. RETURN LOSS SPECIFICATION IS EQUAL TO THE HIGHEST END OPTION LIMIT (SEE TABLE 3).
- DIM "A", "B", AND "C" HAVE A MINIMUM VALUE OF 0.0mm & A MAXIMUM VALUE OF 9.9mm[.39"].
- FOR STRIPPED AND TINNED OPTION, BOTH THE CENTER CONDUCTOR & SHIELD ARE TINNED.

**PROPRIETARY NOTE**  
THIS DOCUMENT CONTAINS CONFIDENTIAL AND PROPRIETARY INFORMATION AND ALL DESIGN, MANUFACTURING, REPRODUCTION, USE, PATENT RIGHTS AND SALES RIGHTS ARE EXPRESSLY RESERVED BY SAMTEC, INC. THIS DOCUMENT SHALL NOT BE DISCLOSED, IN WHOLE OR PART, TO ANY UNAUTHORIZED PERSON OR ENTITY NOR REPRODUCED, TRANSFERRED OR INCORPORATED IN ANY OTHER PROJECT IN ANY MANNER WITHOUT THE EXPRESS WRITTEN CONSENT OF SAMTEC, INC.

DO NOT SCALE DRAWING  
MATERIAL: CENTER CONTACT: BeCu SHEET SCALE: 2:1  
OUTER CONTACT: STAINLESS STEEL  
INSULATORS: -92SP/-92SJ: PCTEE  
-24SP/24SJ: ULTEM



520 PARK EAST BLVD, NEW ALBANY, IN 47150  
PHONE: 812-944-6733 FAX: 812-948-5047  
e-Mail info@SAMTEC.com code 55322

DESCRIPTION: RF085 CABLE ASSEMBLY  
DWG. NO. RF085-XXXX-XXXXXX-XXXX  
BY: JOE Z 09/23/2019 SHEET 1 OF 4

**TABLE 2**

END OPTION	SERIES	GENDER	FINISH		SUBTRACTOR "D"	CONNECTOR KIT P/N (PCI P/N)	FIGURE
			CENTER CONTACT	OUTER CONTACT			
-92SP	2.92 MM	PLUG	50µ" GOLD	PASSIVATED	9.86 [.388]	PRF92-P-C-EP-085-SS (3197)	SHT 3, FIG 3
-92SJ	2.92 MM	JACK	50µ" GOLD	PASSIVATED	7.70 [.303]	PRF92-J-C-EP-085-SS (3157)	SHT 3, FIG 4
-24SP	2.40 MM	PLUG	50µ" GOLD	PASSIVATED	8.80 [.346]	PRF24-P-C-EP-085-SS (4215)	SHT 4, FIG 5
-24SJ	2.40 MM	JACK	50µ" GOLD	PASSIVATED	9.70 [.382]	PRF24-J-C-EP-085-SS-02 (4217)	SHT 4, FIG 6
**_SING	SINGLE ENDED	-	-	-	-	-	-
**_XXXXX	STRIPPED & TINNED	-	-	-	-	-	SHT 1, FIG 2

\*\*= END 2 OPTION ONLY

**TABLE 3**

END OPTION	MAXIMUM VSWR	MAXIMUM RETURN LOSS	MAXIMUM INSERTION LOSS (IL)	FREQUENCY	PROTECTIVE CAP COLOR
-92SP	1.4:1	-15.56 dB	0.28	DC TO 40 GHz	YELLOW
-92SJ	1.4:1	-15.56 dB	0.28	DC TO 40 GHz	YELLOW
-24SP	1.4:1	-15.56 dB	0.32	DC TO 50 GHz	GREEN
-24SJ	1.4:1	-15.56 dB	0.32	DC TO 50 GHz	GREEN

IL Max [dB] for Cable Assembly :

$$= \{20.04 * \text{SQRT}(\text{Freq}[\text{GHz}]) + 1.09 * \text{Freq}[\text{GHz}]\} * \text{OAL}[\text{mm}] / 30480 + \text{End Option IL\#1}\{\text{See Table 3}\} + \text{End Option IL\#2}\{\text{See Table 3}\}$$

**PROPRIETARY NOTE**  
 THIS DOCUMENT CONTAINS CONFIDENTIAL AND PROPRIETARY INFORMATION AND ALL DESIGN, MANUFACTURING, REPRODUCTION, USE, PATENT RIGHTS AND SALES RIGHTS ARE EXPRESSLY RESERVED BY SAMTEC, INC. THIS DOCUMENT SHALL NOT BE DISCLOSED, IN WHOLE OR PART, TO ANY UNAUTHORIZED PERSON OR ENTITY NOR REPRODUCED, TRANSFERRED OR INCORPORATED IN ANY OTHER PROJECT IN ANY MANNER WITHOUT THE EXPRESS WRITTEN CONSENT OF SAMTEC, INC.



520 PARK EAST BLVD, NEW ALBANY, IN 47150  
 PHONE: 812-944-6733 FAX: 812-948-5047  
 e-Mail info@SAMTEC.com code 55322

SHEET SCALE: 2:1  
 DO NOT SCALE DRAWING

DESCRIPTION:  
 RF085 CABLE ASSEMBLY

DWG. NO.  
 RF085-XXXX-XXXXXX-XXXX

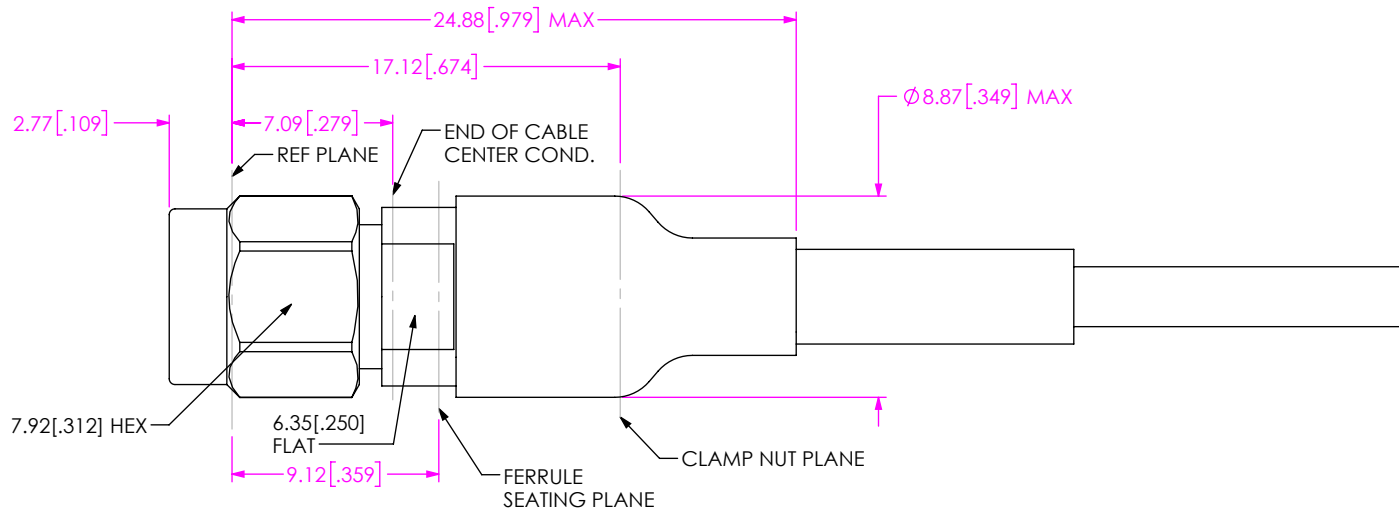


FIG 3  
-92SP SHOWN  
(PROTECTIVE CAP NOT SHOWN FOR CLARITY)

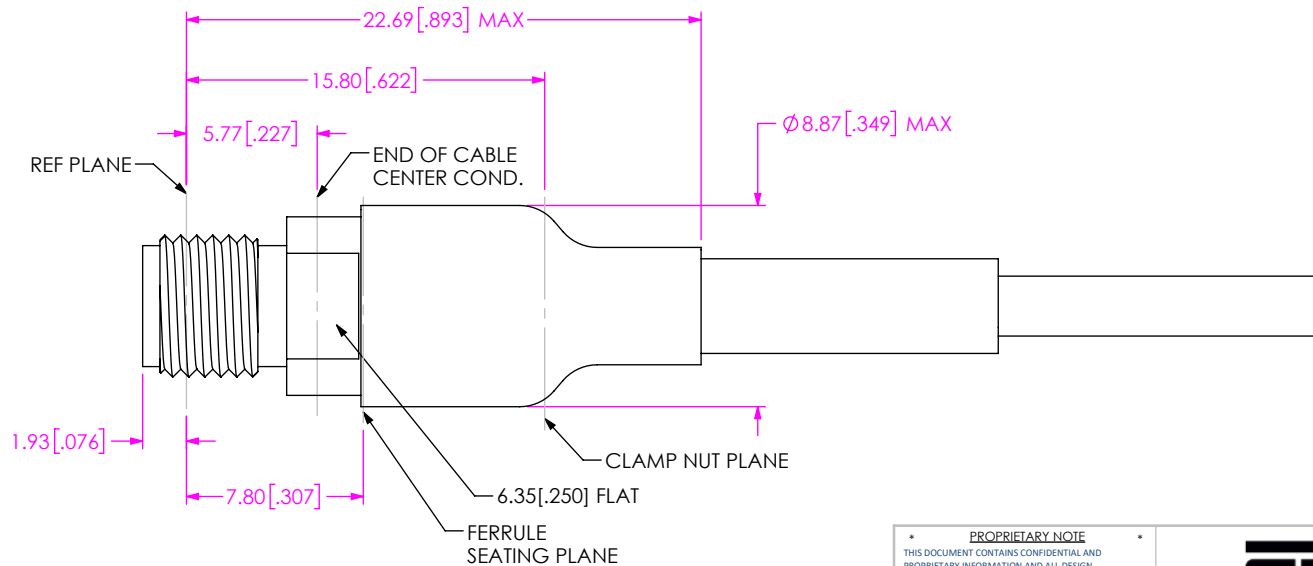


FIG 4  
-92SJ SHOWN  
(PROTECTIVE CAP NOT SHOWN FOR CLARITY)

**PROPRIETARY NOTE**  
THIS DOCUMENT CONTAINS CONFIDENTIAL AND PROPRIETARY INFORMATION AND ALL DESIGN, MANUFACTURING, REPRODUCTION, USE, PATENT RIGHTS AND SALES RIGHTS ARE EXPRESSLY RESERVED BY SAMTEC, INC. THIS DOCUMENT SHALL NOT BE DISCLOSED, IN WHOLE OR PART, TO ANY UNAUTHORIZED PERSON OR ENTITY NOR REPRODUCED, TRANSFERRED OR INCORPORATED IN ANY OTHER PROJECT IN ANY MANNER WITHOUT THE EXPRESS WRITTEN CONSENT OF SAMTEC, INC.



520 PARK EAST BLVD, NEW ALBANY, IN 47150  
PHONE: 812-944-6733 FAX: 812-948-5047  
e-Mail info@SAMTEC.com code 55322

SHEET SCALE: 3:1  
DO NOT SCALE DRAWING

DESCRIPTION:  
RF085 CABLE ASSEMBLY

DWG. NO.  
RF085-XXXX-XXXXXX-XXXX

BY: JOE Z 09/23/2019 SHEET 3 OF 4

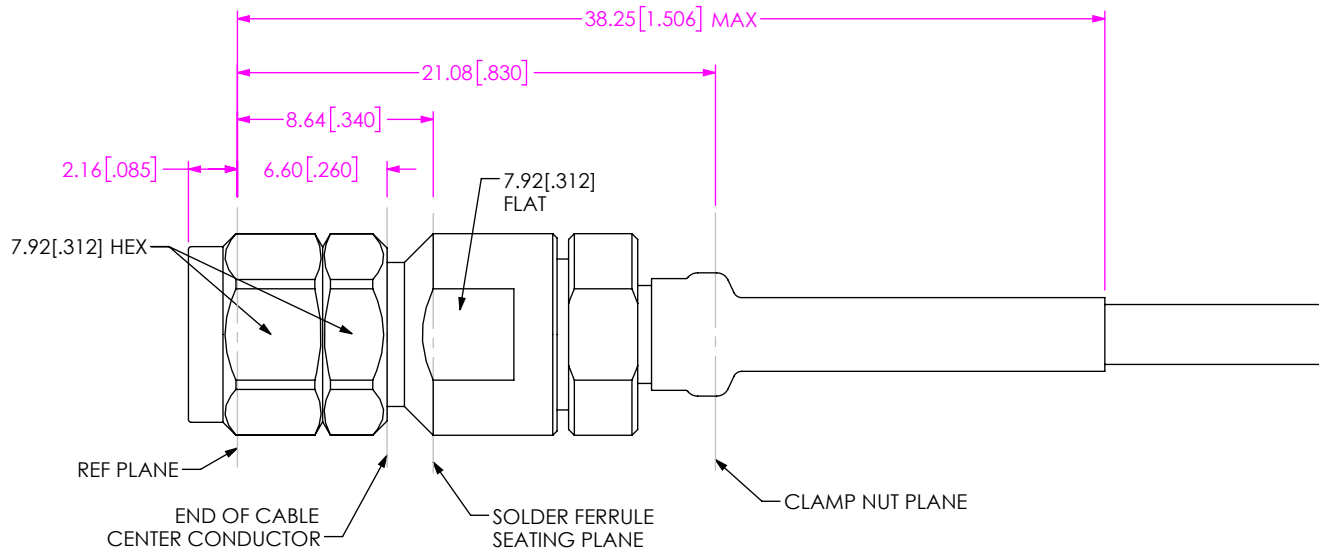


FIG 5  
-24SP SHOWN  
(PROTECTIVE CAP NOT SHOWN FOR CLARITY)

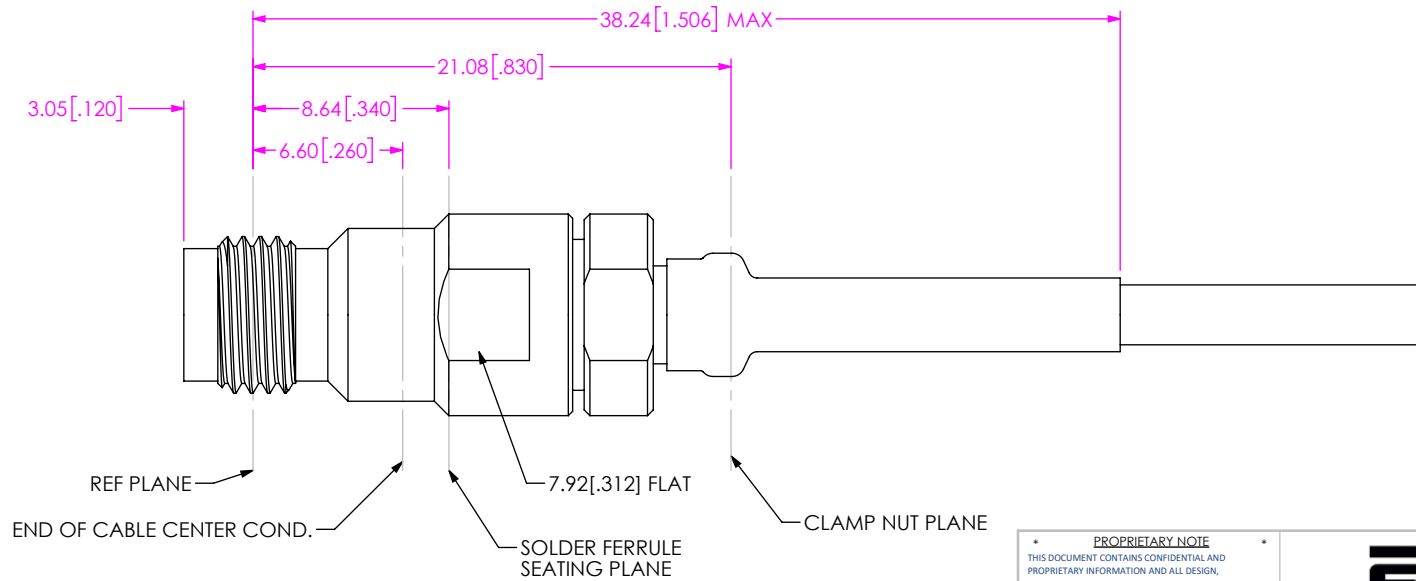


FIG 6  
-24SJ SHOWN  
(PROTECTIVE CAP NOT SHOWN FOR CLARITY)

**PROPRIETARY NOTE**  
 THIS DOCUMENT CONTAINS CONFIDENTIAL AND PROPRIETARY INFORMATION AND ALL DESIGN, MANUFACTURING, REPRODUCTION, USE, PATENT RIGHTS AND SALES RIGHTS ARE EXPRESSLY RESERVED BY SAMTEC, INC. THIS DOCUMENT SHALL NOT BE DISCLOSED, IN WHOLE OR PART, TO ANY UNAUTHORIZED PERSON OR ENTITY NOR REPRODUCED, TRANSFERRED OR INCORPORATED IN ANY OTHER PROJECT IN ANY MANNER WITHOUT THE EXPRESS WRITTEN CONSENT OF SAMTEC, INC.



520 PARK EAST BLVD, NEW ALBANY, IN 47150  
 PHONE: 812-944-6733 FAX: 812-948-5047  
 e-Mail info@SAMTEC.com code 55322

SHEET SCALE: 3:1  
 DO NOT SCALE DRAWING

DESCRIPTION: RF085 CABLE ASSEMBLY  
 DWG. NO. RF085-XXXX-XXXXXX-XXXX  
 BY: JOE Z 09/23/2019 SHEET 4 OF 4