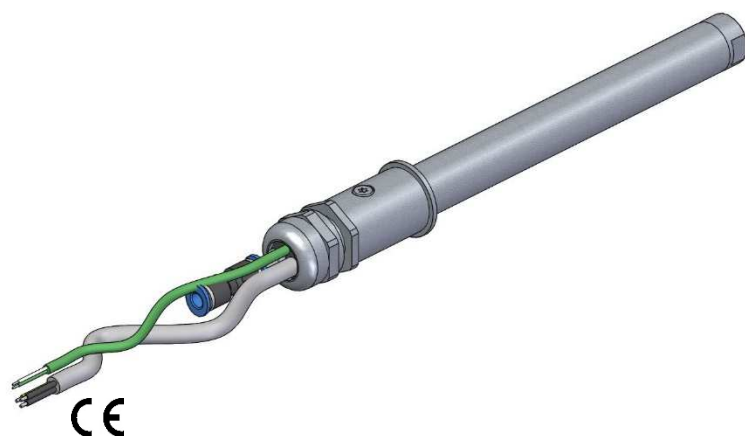


Air heater type XS20 from 0,45 KW to 2,0 KW



- Function:** Air heater with external air supply via compressed air
- Configuration:** In series with thermocouple typ ,K'
Length of connecting cable and thermocouple cable = 1,5 Meter
- Features:** Case with high-grade steel, brass cable gland - chromed
Air hose per meter available
Exhaust opening M16 female thread
- Power:** 0,45 KW, 0,8 KW, 1,0 KW, 1,5 KW, 2,0 KW
- Voltage:** 120 VAC, 230 VAC, 460 VAC
Special voltage on request

Technical data:

.Type	XS20						XS20L						
Item number	5202413	5202412	5202415	5202414	5202417	5202416	5202419	5202418	5202421	5202420	5202423		
Voltage	VAC		120	230	120	230	120	230	120	230	460		
Frequency	Hz		50 / 60										
Performance	KW		0,45		0,8		1,0		1,5		2,0		
Power	A		3,75	1,95	7,0	3,5	8,3	4,4	12,5	6,5	16,7	8,8	4,4
Max. temperature	°C/°F		650/1202										
Min. airflow	l/min		30		60		75		100		150		
Max. air pressure	bar		6,0										
Thermocouple	Typ		,K'										
Weight	kg		0,4				0,5						
Air connection	Ø mm		Push-In Clip 6mm										
Exhaust opening	Ø mm		M16 female thread; wrench size 17										
Dimensions	mm(L x Ø)		286 x 30				343 x 30						
Conformity mark	CE												
Protection class I	⊕												

Air heater type XS20 from 0,45 KW to 2,0 KW





Product description:	Connection scheme:
<ol style="list-style-type: none"> 1. Electric connection cable see on label 2. Thermocouple 3. Air supply Push-In Clip 6mm 4. Exhaust opening M16 IG, SW17 5. Label 	<ol style="list-style-type: none"> 1. L1 Electric connection cable seen on label 2. N 3. Earth conductor 4. Thermocouple type „K“ (green = +) 5. Thermocouple type “K” (white = -)

Air heater type XS20 from 0,45 KW to 2,0 KW

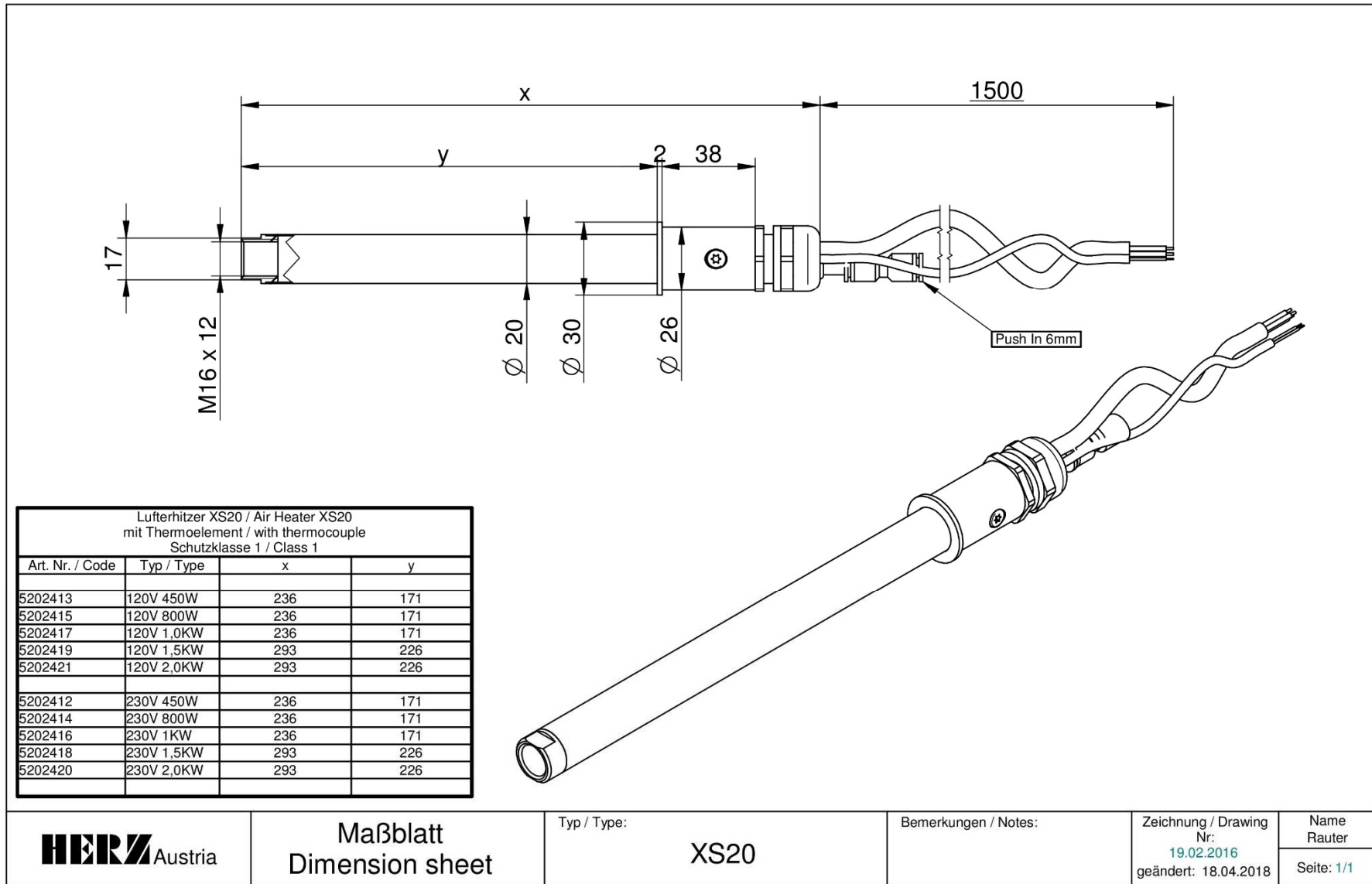
Available Versions:

Item-No.	Description
5202413	Air heater type XS20 120VAC 0,45KW with thermocouple
5202412	Air heater type XS20 230VAC 0,45KW with thermocouple
5202415	Air heater type XS20 120VAC 0,8KW with thermocouple
5202414	Air heater type XS20 230VAC 0,8KW with thermocouple
5202417	Air heater type XS20 120VAC 1,0KW with thermocouple
5202416	Air heater type XS20 230VAC 1,0KW with thermocouple
5202419	Air heater type XS20L 120VAC 1,5KW with thermocouple
5202418	Air heater type XS20L 230VAC 1,5KW with thermocouple
5202421	Air heater type XS20L 120VAC 2,0KW with thermocouple
5202420	Air heater type XS20L 230VAC 2,0KW with thermocouple
5202423	Air heater type XS20L 460VAC(2Ph) 2,0KW with thermocouple

Accessories:

Item.-No.	Description
5800166	 Tube nozzle d = 5mm with M16 thread for air heater type XS20
5202408	 Digital controller with logic output; type ETR48-24; 240VAC
5202406	 Power semiconductor relays without heat sink 230VAC 12A (Steering 12V)
5202407	 Heat sink for power semiconductor relays (5202406)

Air heater type XS20 from 0,45 KW to 2,0 KW



Änderungen vorbehalten / Changes reserved

Air heater type XS20 from 0,45 KW to 2,0 KW

HERZ GmbH

Kunststoff- & Wärmetechnologie
Biberweg 1
DE – 56566 Neuwied
Tel.: +49 (0)2622-8855-0
Fax: +49 (0)2622-8855-135
Fax: +49 (0)2622-8855-136
www.herz-gmbh.com
info@herz-gmbh.com

HERZ Austria GmbH

Kunststoff- & Wärmetechnologie
Gleinser Weg 27
AT – 6141 Schönberg / Tirol
Tel.: +43 (0)5225-63113
Fax: +43 (0)5225-6311385
www.herz-austria.at
herz.schoenberg@herz-gmbh.com

HERZ Hungária Kft.

Műanyag- és hőlégtéchnika
Pesti út 284
HU – 2225 Üllő
Tel.: +36 (06)29-522400
Fax: +36 (06)29-522410
www.herz-hungaria.hu
herz@herz-hungaria.hu

HERZ Bulgaria OOD

Boul. Assen Yordanov 10
BG – 1592 Sofia
Tel.: +359 (0)2-9790351
www.herz-bulgaria.com
office@herz-bulgaria.com

HERZ GmbH

Kunststoff- & Wärmetechnologie
Am Arenberg 26A
DE – 86456 Gablingen
Tel.: +49 (0)8230-85085
Fax: +49 (0)8230-85087
www.herz-gmbh.com
robert.einberger@herz-gmbh.com

HERZ Austria GmbH

Kunststoff- & Wärmetechnologie
Johann-Galler-Str. 20 IZ – NÖ – Nord
AT – 2120 Wolkersdorf i. Weinviertel
Tel.: +43 (0)2245-82494-0
Fax: +43 (0)2245-82494-9
www.herz-austria.at
herz.wolkersdorf@herz-gmbh.com

HERZ Polska Sp.z o. o.

Technologie obróbki tworzyw sztucznych
Ul. Kostrzyńska 30
PL – 02-979 Warszawa
Tel.: +48 (0)22-8428583
Fax: +48 (0)22-8429700
www.herz-polska.pl
herz@herz-polska.pl