

Sales Outline DrawingRevision **C**

**May not be suitable for all medical and aerospace applications.
Specifications: Contact Mallory Sonalert to discuss your application.**

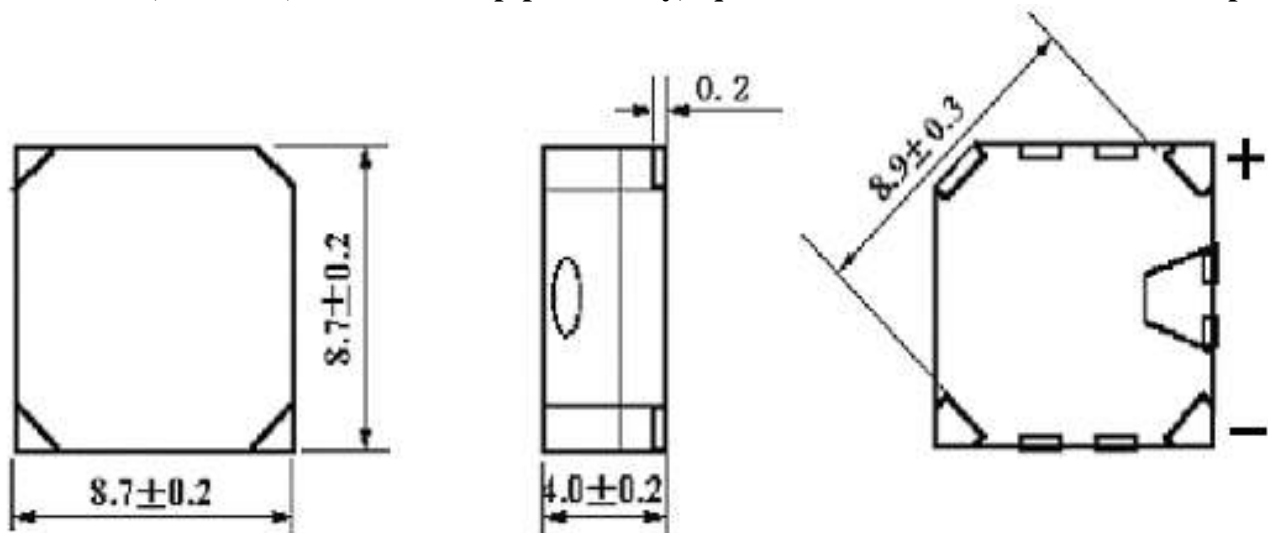
NO CIRCUITRY

| | |
|--|-----------------------------------|
| Oscillation Frequency (Hz) | 2731 |
| Operating Voltage (Vp-p) | 4.0 ~ 7.0 |
| Rated Voltage (Vp-p) | 5.0 |
| Current Consumption Max. (mA) | 80 at Rated Voltage |
| Sound Pressure Level (dB/min) | 85 at 10cm at Rated Voltage |
| Coil Resistance (Ω) | 32 ± 3 |
| Operating Temperature ($^{\circ}\text{C}$) | -20 ~ +70 |
| Storage Temperature ($^{\circ}\text{C}$) | -30 ~ +80 |
| Mounting | SMD |
| Housing | LCP plastic resin (Color: Black) |
| Weight (Grams) | 0.4 |
| Condition by wave soldering ($^{\circ}\text{C}$) | 250 ± 5 / within 5 sec |
| Condition by hand soldering ($^{\circ}\text{C}$) | 350 ± 20 / within 5 sec |
| Options | For other options contact factory |

Dimensions: (units: mm)

PS: Vp-p = 1/2duty, square wave

ROHS Compliant

**Packaging:**

Parts are supplied as Cut Tape.

Units do not come with wash label and are not appropriate for aqueous wash.