

2X1 Dual Port RJ45 Connector with No Magnetics AR21NM-4474I



- 2x1 Stacked RJ45 without Magnetics
- Industrial Operating Temp: -40°C to +85°C

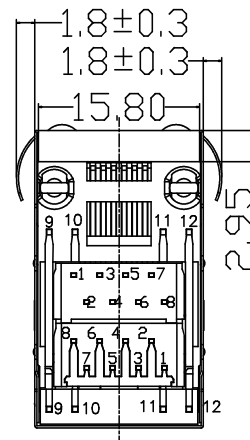
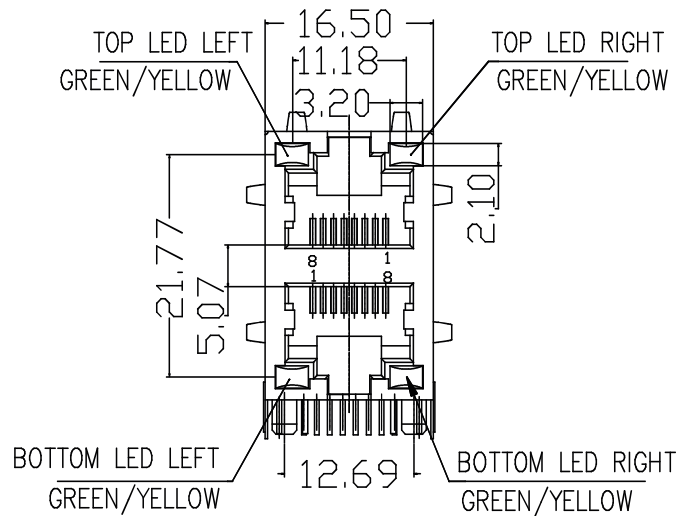
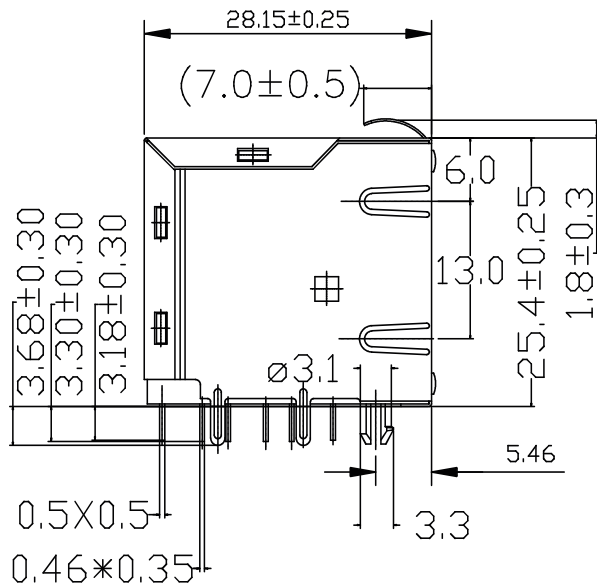
Electrical Specifications @ 25°C

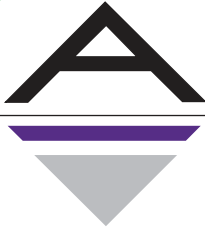
Part Number	Voltage Rating (VAC RMS)	Current Rating (Amp)	Contact Resistance (Max)	Insulation Resistance (Min @ 500 VDC)	Dielectric Strength Contact to Contact @ .5mA 50Hz or 60Hz / 60Sec
AR21NM-4474I	150	1.5	20mΩ	1000MΩ	1000VDC or VAC Peak

All specifications subject to change without notice.

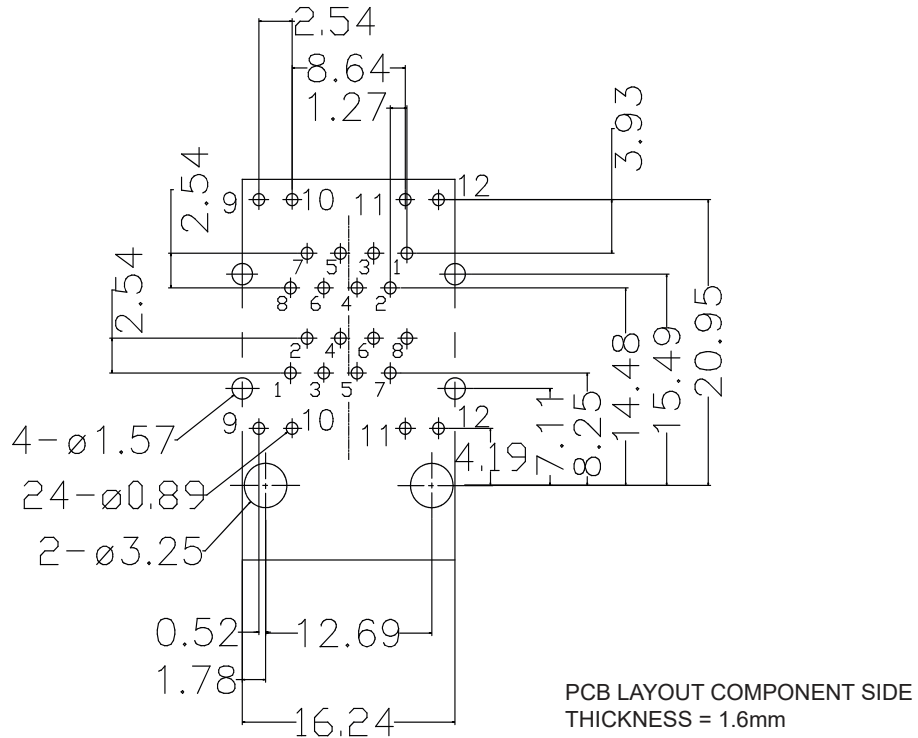
MECHANICAL

Dimension Unit: mm





PCB LAYOUT



NOTES

- 1. HOUSING AND INSERT MATERIAL: PA66 UL94 V-0, COLOR BLACK
- 2. CONTACT MATERIAL: PHOSPHOR BRONZE, T=0.35mm
- 3. PLATING: CONTACT AREA-GOLD PLATING 50μ”
TAILS PLATING TIN OVER NICKEL
- 4. SHIELD: BRASS T=0.2mm PLATED NICKEL FOR ALL.
- 5. OPERATING LIFE: 750 CYCLES MIN.
- 6. MATING/UNMATING FORCE: 30N MAX
- 7. RETENTION STRENGTH: 50N FOR 60S±5S