

|          |            |     |        |          |     |
|----------|------------|-----|--------|----------|-----|
| PART NO. | A22015-001 | REV | ECO    | DATE     | APP |
|          |            | D   | 104194 | 01-30-18 | HV  |

**MATERIALS & SPECIFICATIONS**

**INSULATOR:**  
 LIQUID CRYSTAL POLYMER (LCP) PER ASTM D5138.

**CONTACT:**  
 BERYLLIUM COPPER PER ASTM B194, C17200.  
 GOLD PLATED PER ASTM B488, (HARD GOLD)  
 TYPE II CODE C CLASS 1.27.  
 (CONTACT MATING AREA ONLY)

**TERMINATION:**  
 BERYLLIUM COPPER PER ASTM B194, C17200.  
 MATTE SOLDER PLATE .0001-.0002 THICK PER  
 AMS-P-81728.

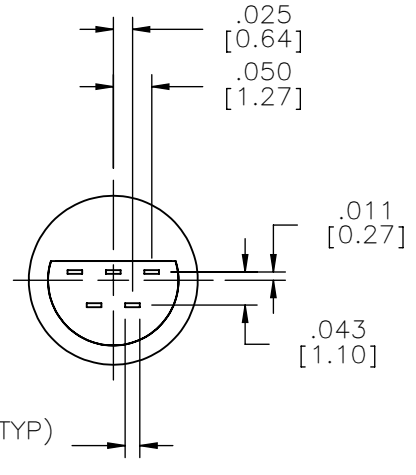
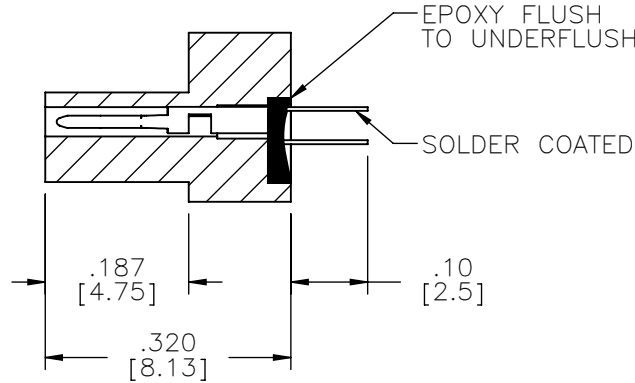
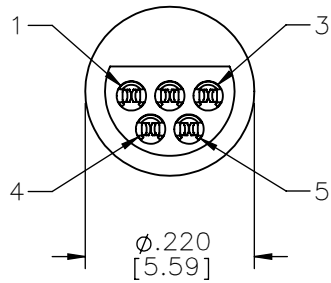
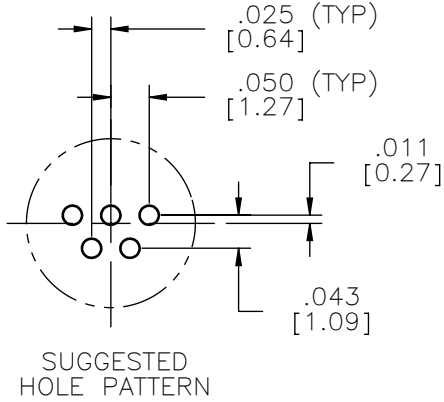
**CURRENT CAPACITY:**  
 3 AMP MAX.

**CONTACT RESISTANCE:**  
 26 MILLIOHMS (65mV) MAX @ 2.5 AMPS.

**PERFORMANCE:**  
 PRODUCT FAMILY TESTED TO AND PASSED THE  
 PERFORMANCE SPECIFICATIONS OF TABLE VII OF  
 MIL-DTL-83513.



ACTUAL SIZE



REF: OMNETICS

NOTE:  
 DIMENSIONS IN [ ] ARE IN MILLIMETERS UNLESS OTHERWISE NOTED AND ARE FOR REFERENCE ONLY

|                  |                        |
|------------------|------------------------|
| MCTS<br>SLDW     | THIRD ANGLE            |
|                  | -TOLERANCES-           |
|                  | UNLESS OTHERWISE NOTED |
|                  | DIMENSIONS IN INCHES   |
| 2 PL DEC ± .01   |                        |
| 3 PL DEC ± .005  |                        |
| 4 PL DEC ± .0005 |                        |
| ANGLES ± 1°      |                        |

|  |               |
|--|---------------|
| THIS DRAWING CONTAINS CONFIDENTIAL AND PROPRIETARY INFORMATION WHICH IS THE PROPERTY OF OMNETICS CONNECTOR CORP. THIS DOCUMENT MAY NOT, IN WHOLE OR IN PART, BE DUPLICATED, OR DISCLOSED FOR ANY PURPOSE, WITHOUT WRITTEN PERMISSION FROM OMNETICS CONNECTOR CORP. |               |
| DFTM. TEP  | DATE 4/7/2006 |
| CHK'D.   | DATE          |
| APP'D.   | DATE          |
| TITLE: (5) PIN MALE MICRO CIRCULAR CONNECTOR   |               |

**OMNETICS**  
 CONNECTOR CORPORATION  
 7260 COMMERCE CIRCLE EAST  
 MINNEAPOLIS, MN 55432  
 WWW.OMNETICS.COM

|                    |       |
|--------------------|-------|
| CAGE CODE 61873    |       |
| DWG NO. A22015-001 |       |
| SHEET 1 OF 1       | REV D |
| SCALE: 4:1         |       |