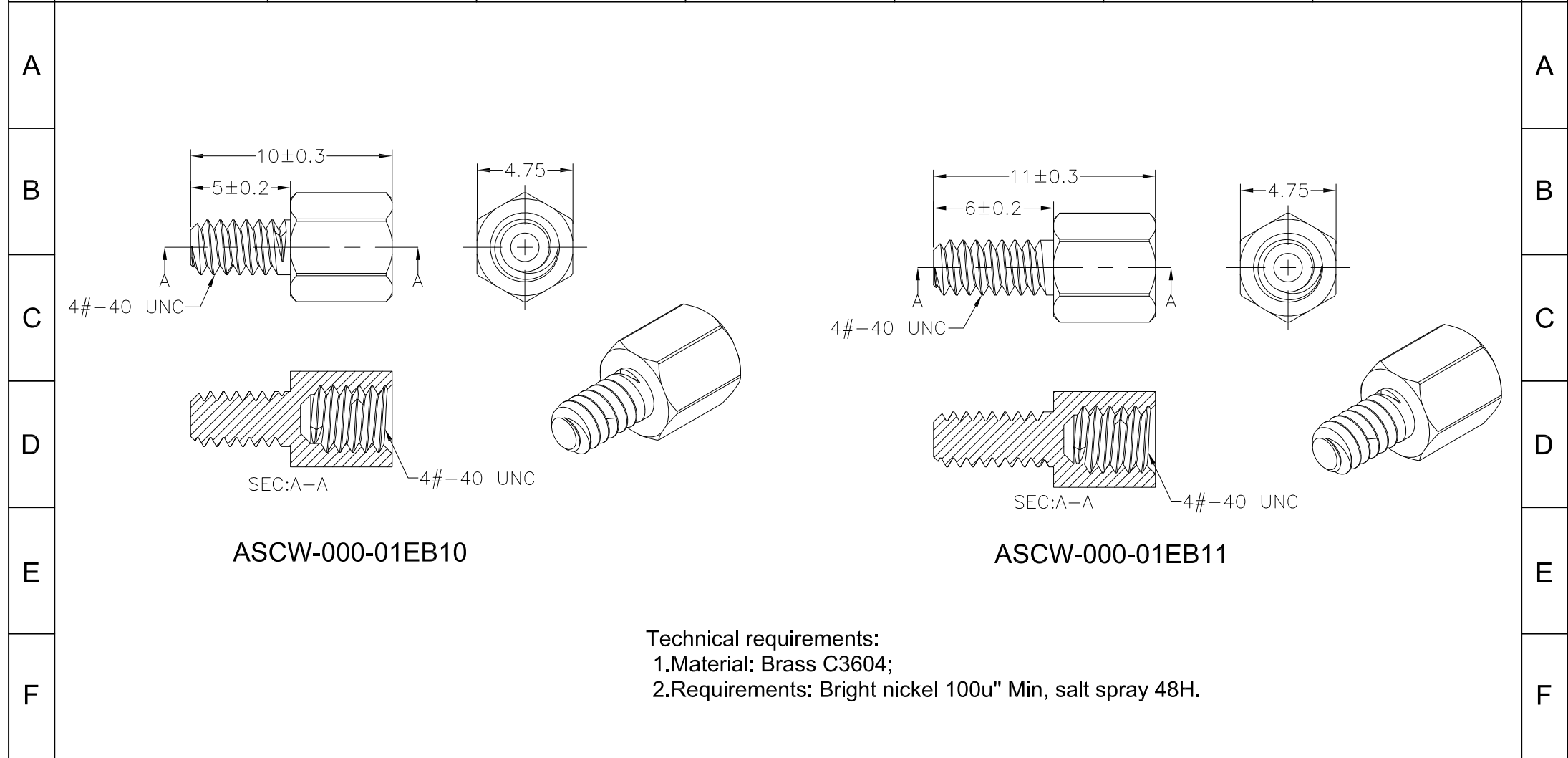


G	RoHS compliant Unit:mm	Scale	Free					Date	Name	Description: 25 Pin Female Connector			
		TOLERANCE						Drawn	24.12.2008	JACK			
H		X.X	±0.25					Approved	03.08.2020	Segal	ASSMANN WSW-No.		
		X.XX	±0.10								A-DF 25 LL-WP		
		X.XXX	±0.05	③	Add the screw spec on page 2	03.08.2020	Segal					Drawing-No.	
		DIM	TOL	②	Add notes	24.01.2018	Segal					ASS 3260 CO	rev03
				①	Drawn	24.12.2008	JACK					Customer-No.	SHEET
	Angle	±1°	Id.	Modification	Date	Name							

	1	2	3	4	5	6	7	
--	---	---	---	---	---	---	---	--



ASCW-000-01EB10

ASCW-000-01EB11

Technical requirements:
 1.Material: Brass C3604;
 2.Requirements: Bright nickel 100u" Min, salt spray 48H.

G	RoHS compliant Unit:mm	Scale	Free					Date	Name	Description: 25 Pin Female Connector		
		TOLERANCE						Drawn	24.12.2008	JACK		
.X		±0.15					Approved	03.08.2020	Segal	ASSMANN WSW-No.		
.XX		±0.10								A-DF 25 LL-WP		
DIM		TOL	③	Add the screw spec on page 2	03.08.2020	Segal					Drawing-No.	
			②	Add notes	24.01.2018	Segal			ASS 3260 CO		rev03	
.X°	±0.5°	①	Drawn	24.12.2008	JACK	Customer-No.			SHEET 2 / 2			
X°	±1.0°											
Angle	TOL	Id.	Modification	Date	Name							

	1	2	3	4	5	6	7	
--	---	---	---	---	---	---	---	--