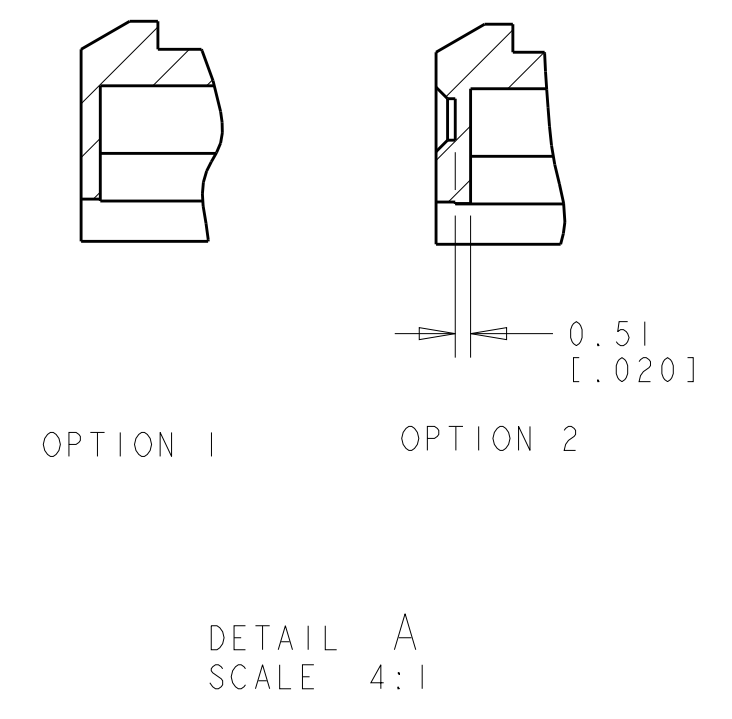
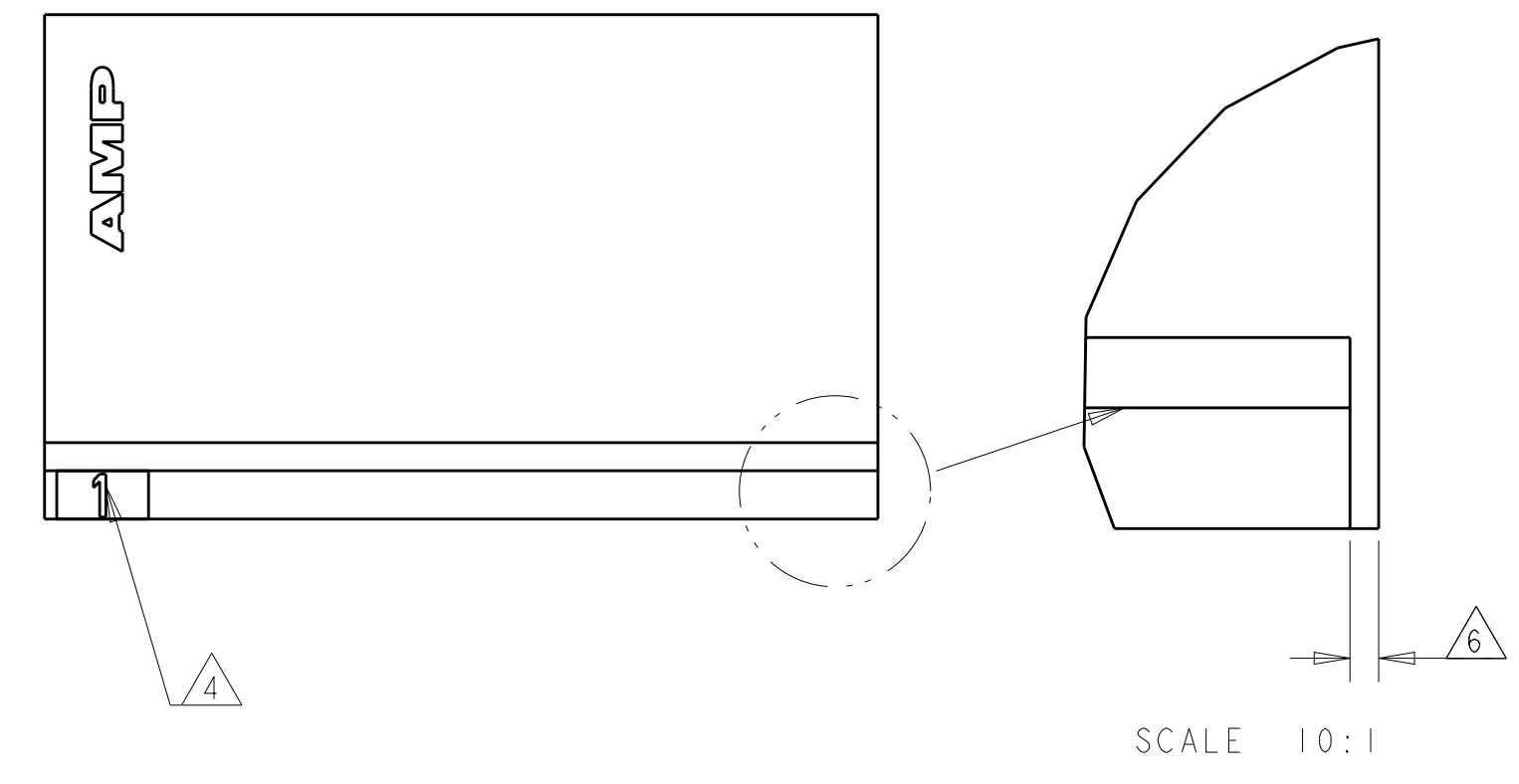
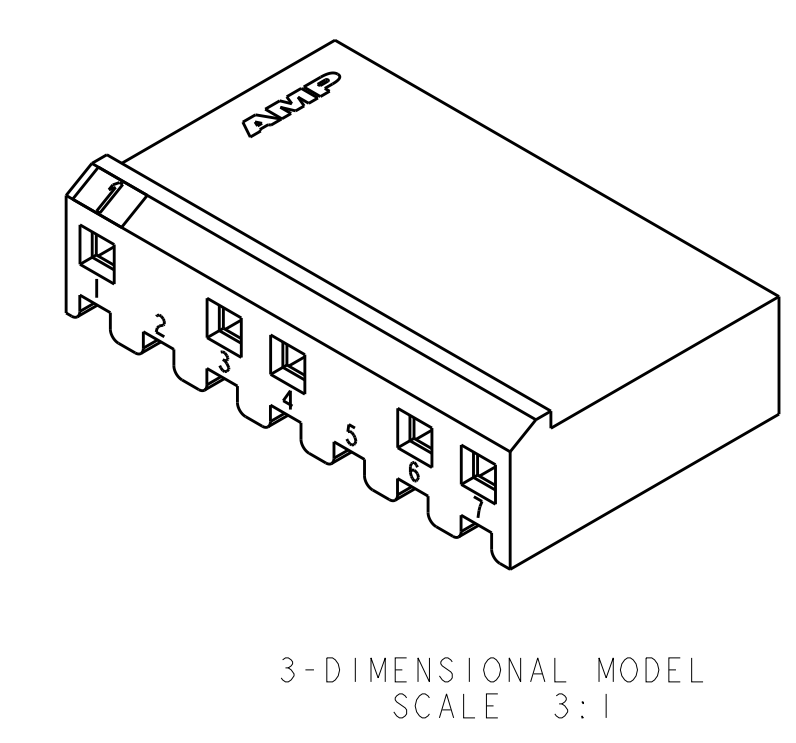
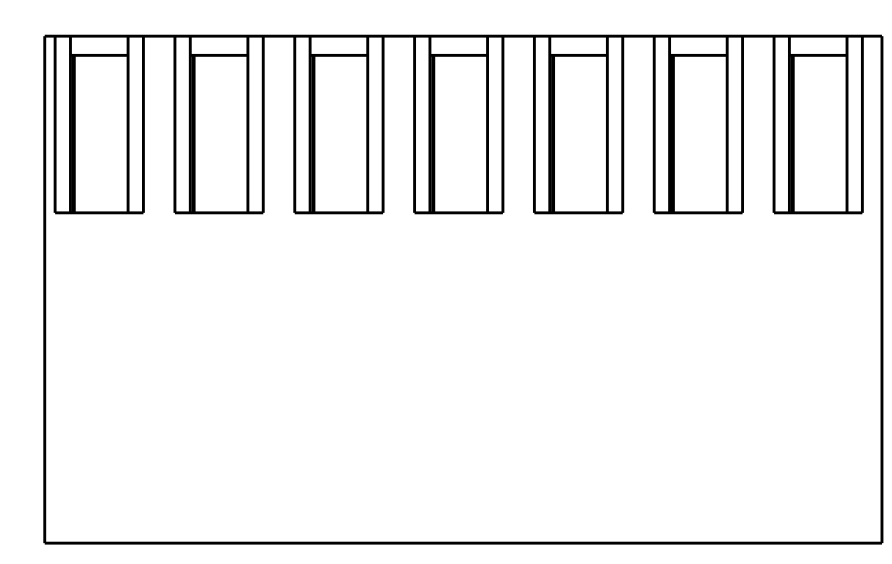
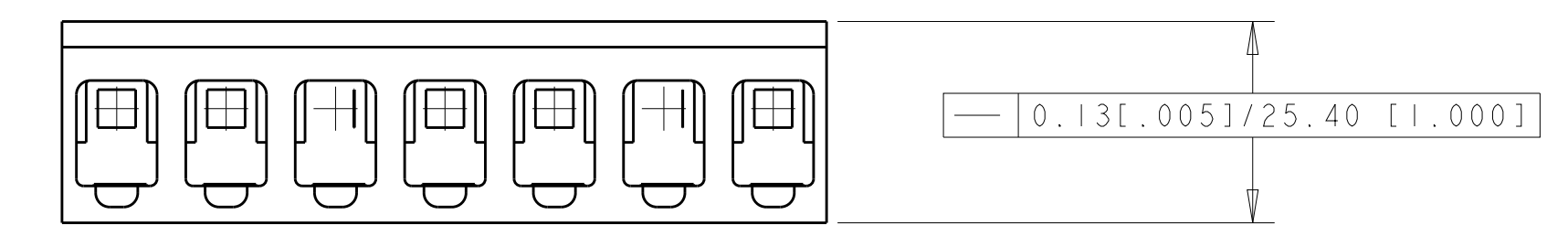
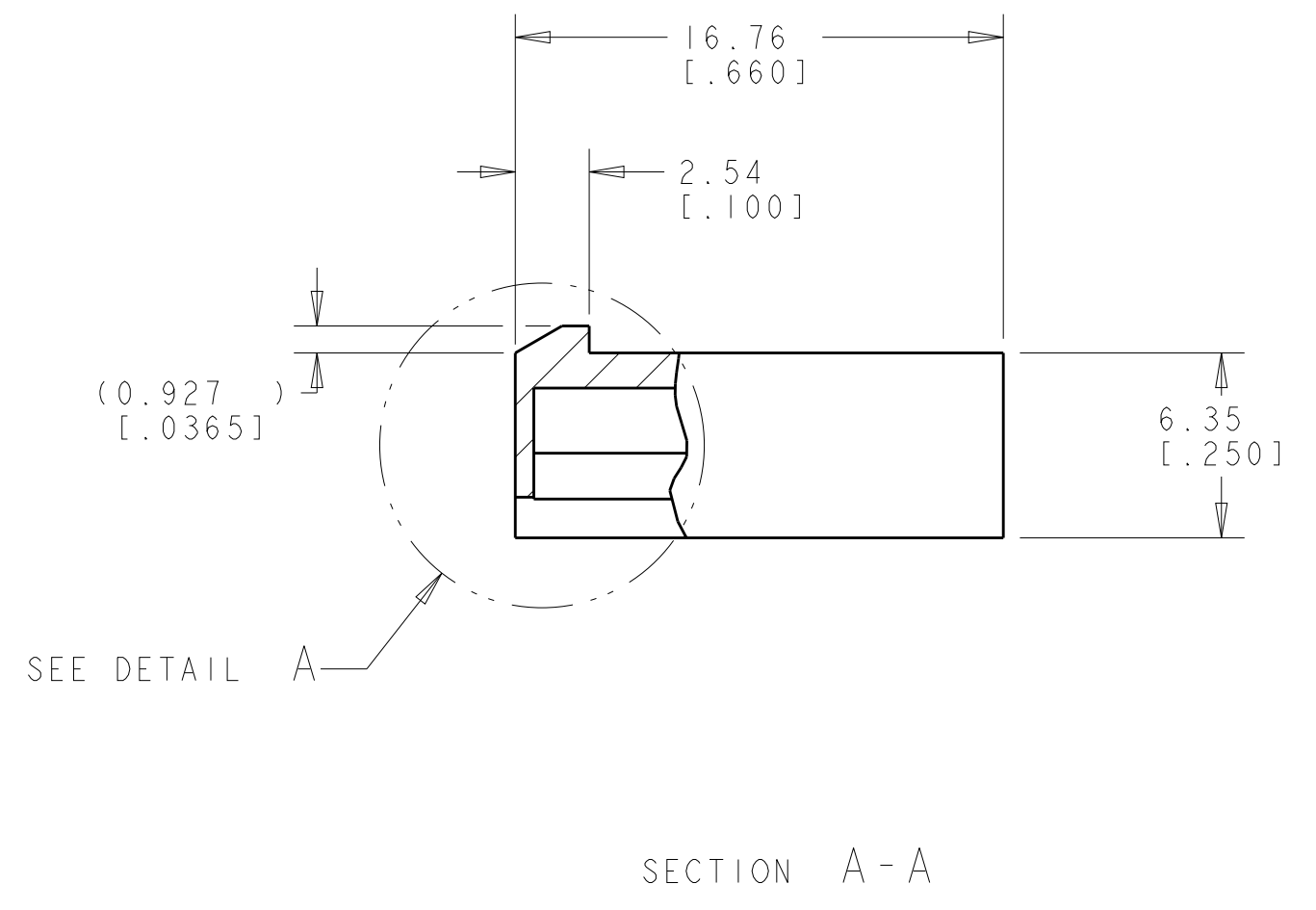
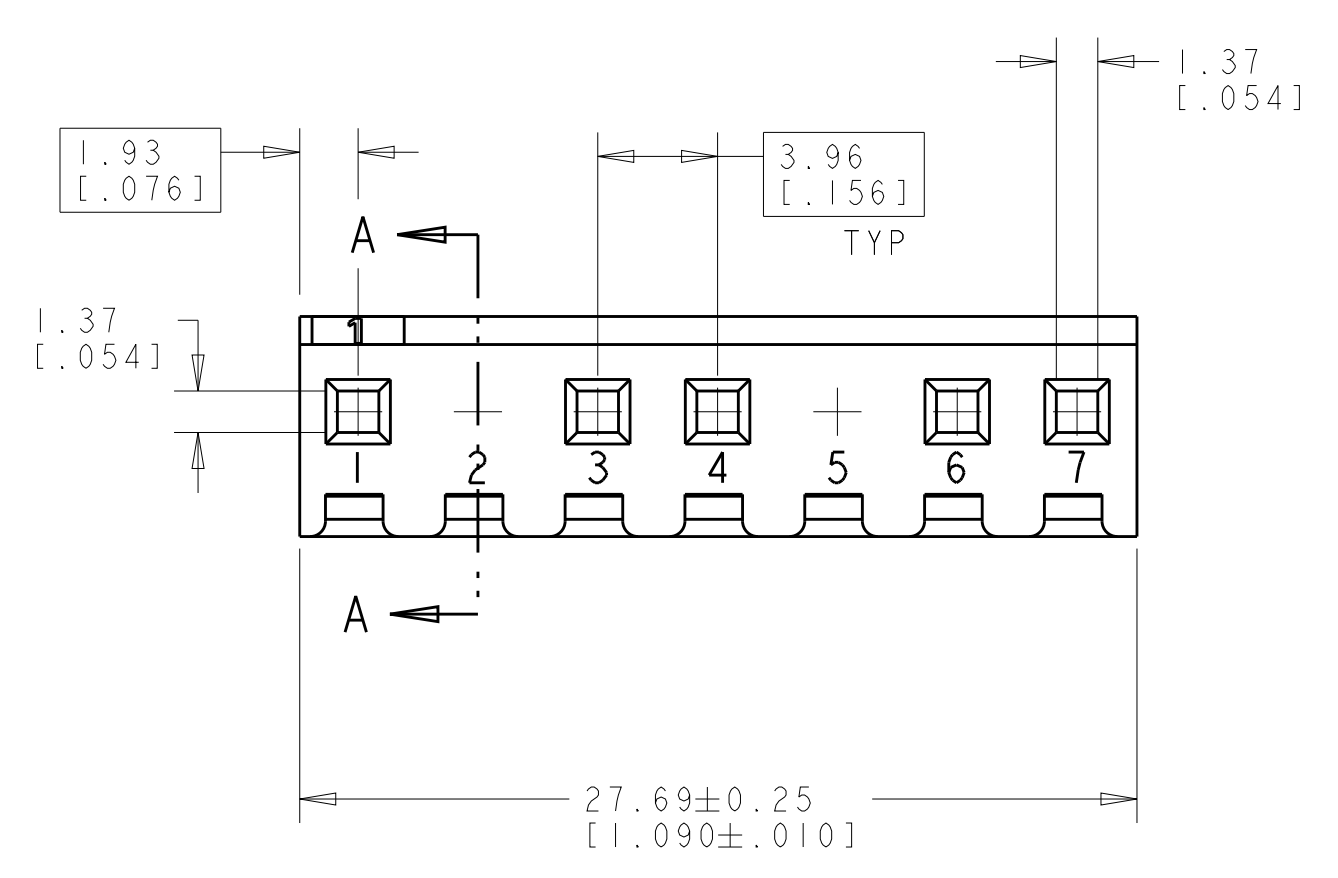


LOC		DIST		REVISIONS			
CM	00	P	LTN	DESCRIPTION	DATE	DWN	APVD
		B		REVISED PER ECR-13-008203	20JUN2013	KH	JR



- UNIT ACCEPTS 1.14 [ .045 ] SQUARE OR ROUND POST.
- UNIT ACCEPTS STANDARD SL-156 CONTACTS.
- UNIT ACCEPTS KEYING PLUG 640254-1 AND KEYING PIN 640255-1.
- CIRCUIT I.D. NUMBER(S) TO BE LOCATED SEQUENTIALLY AS SHOWN OR ONLY NO. 1 CIRCUIT PLACED ON LOCKING RAMP.
- DIMENSION IN BRACKETS ARE IN INCHES.
- OPTIONAL CONSTRUCTION (BOTH CORNERS) UP TO 0.38 [ .015 ].
- DETAIL SHOWS A CIRCUITS 2 AND 5 MOLDED CLOSED. EITHER OPTION 1 OR OPTION 2 MAY BE USED.



7	1744008-7
NO OF CIRCUITS	PART NUMBER

THIS DRAWING IS A CONTROLLED DOCUMENT.		DWN R. WHITAKER 15-JAN-04	NAME HOUSING, WITH LOCKING RAMP, CIRCUIT 2 AND 5 BLOCKED, SL-156
DIMENSIONS: mm [ INCHES ]		CHK J. ELLIS 15-JAN-04	
TOLERANCES UNLESS OTHERWISE SPECIFIED:		APVD J. ELLIS 15-JAN-04	PRODUCT SPEC
0 PLC ±			APPLICATION SPEC
1 PLC ±			RESTRICTED TO
2 PLC ±0.13 [ .005 ]			SIZE A100779C=1744008
3 PLC ±			WEIGHT
4 PLC ±			CUSTOMER DRAWING
ANGLES 40°/30°			SCALE 1:1
MATERIAL NYLON, UL 94V-0 NATURAL			SHEET 1 OF 1
FINISH			REV B