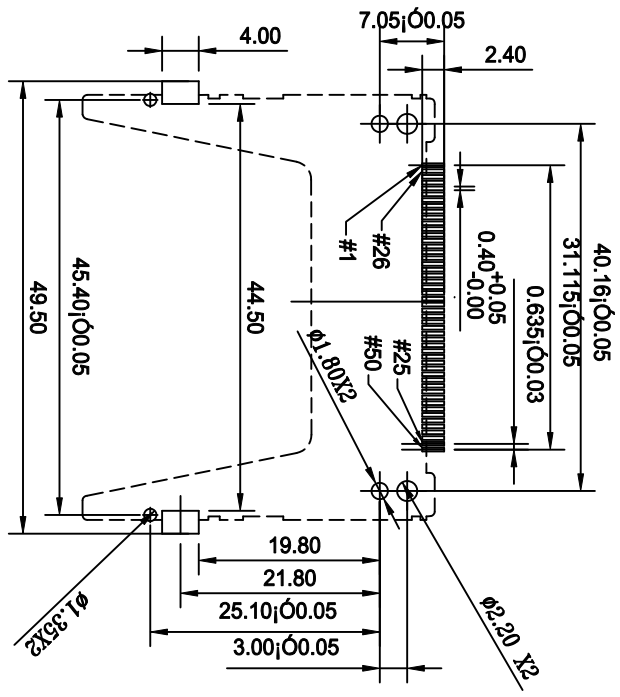


THE PUSH BUTTON POSITION

PIN NUMBER	DIM. L(PIN LENGTH)
25,26	3.50
ALL OTHER PINS	4.25
1, 13, 38, 50	5.00

mot'l. code		tolerances unless otherwise specified		CUSTOMER COPY		FCI	
lfr	ecn no	dr	dtte	lineor	scale	product family	code
A	T05-0258	A.C.	11/21/05	.XX ± 0.20	MM	CF	TWN
B	T06-0038	A.C.	3/02/06	.XXX ± 0.10	NA	CF	1 of 4
C	T08-1173	S.LIN	10/12/08	0° ± 2°	NA	CF	1 of 4
sheet revision		dr		eng		product family	
1	C	ALLEN	11/03/05	STERLING	11/03/05	CF	10061861
2	C	H.C	11/03/05	LIU	11/03/05	CF	10061861
3	C					CF	10061861
sheet index		title		product family		code	
1	C	CF ASS'Y, ABOVE MOUNT, LEFT PUSH, S/O=0		CF		TWN	
2	C						
3	C						
sheet index		www.fciconnect.com		product family		code	
1	C			CF		TWN	
2	C			CF		1 of 4	
3	C			CF		1 of 4	



Recommended PCB Pattern

mot'l. code	tolerances unless otherwise specified		CUSTOMER COPY		FCI	
litr	ecn no	dr	dtte	linear	projection	title
A	T05-0258	A.C.	11/21/05	.XX ± 0.20	MM	CF ASS'Y, ABOVE MOUNT, LEFT PUSH, S/O=0
B	T06-0038	A.C.	3/02/06	.XXX ± 0.10	NA	
C	T08-1173	S.LIN	10/12/08	0° ±2°	MM	
		dr	ALLEN CHANG	11/03/05	scale	product family
		engr	STERLING LIN	11/03/05	NA	CF
		chr	H.C LIU	11/03/05		size/dwg no
		oppl				10061861
sheet index	revision					code
1	1	C	C	C		TWN
2	2	C	C	C		sheet
3	3	C	C	C		3 of 4
cage code						

1 | 2

ACAD

3 |

4



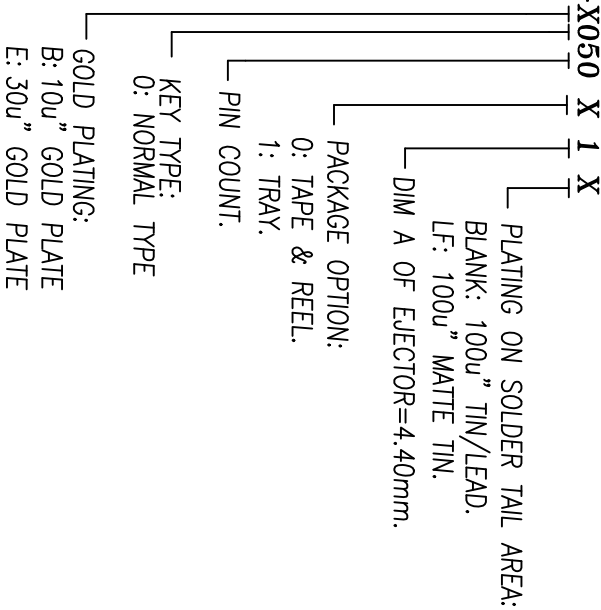
1 | 2

NOTES :

1. THIS IS THE ASSEMBLY TYPE WHICH INCLUDES HEADER 10053867-4E0501 AND EJECTOR 10053870-0150LF.
2. MATERIAL :
INSULATOR : HIGH TEMPERATURE THERMOPLASTIC
FLAMMABILITY RATING: UL94V-0
COLOR: IVORY
CONTACT : COPPER ALLOY
GROUND MOUNTING EAR: COPPER ALLOY
COVER: STAINLESS STEEL.
ARM: STAINLESS STEEL.
PUSH ROD : HIGH TEMPERATURE THERMOPLASTIC
FLAMMABILITY RATING: UL94V-0
COLOR: BLACK
RIVET : COPPER ALLOY
3. PLATING :
CONTACT AREA: SELECTIVE GOLD (SEE P/N DESCRIPTION)
UNDER PLATING: 50u" NICKEL OVERALL
SOLDER TAIL AREA: 100u" TIN/LEAD OR 100u" MATTE TIN
GROUND MOUNT EAR AREA: 100u" TIN/LEAD OR 100u" MATTE TIN
4. SOLDER TAILS TO BE WITHIN 0.05 UPWARD AND 0.2 DOWNWARD FROM Z-DATUM PLACE, AND COPLANARITY OF SOLDER TAILS TO BE WITHIN 0.10mm.
5. PRODUCT SPEC: GS-12-240.
6. PACKAGING SPEC: GS-14-1040.

7. Part Number Description:

P/N: 10061861-X050 X 1 X



8. THIS PRODUCT (10061861-XXXXXXLF) MEETS THE EUROPEAN UNION DIRECTIVE AS DESCRIBED IN GS-22-008.
9. THIS PRODUCT (10061861-XXXXXX) MEETS THE EUROPEAN UNION DIRECTIVE AS DESCRIBED IN GS-22-008 EXCEPT FOR Pb.
10. THE HOUSING WILL WITHSTAND EXPOSURE TO 260°C PEAK TEMPERATURE FOR 10 SECONDS IN A CONVECTION, IR OR VAPER PHASE REFLOW OVEN.
11. THE PRODUCTS WHERE THE PART NUMBER ENDS IN "LF" MEET THE CRITERIA SHOWN IN THE NOTES 8 AND 10.

3 |

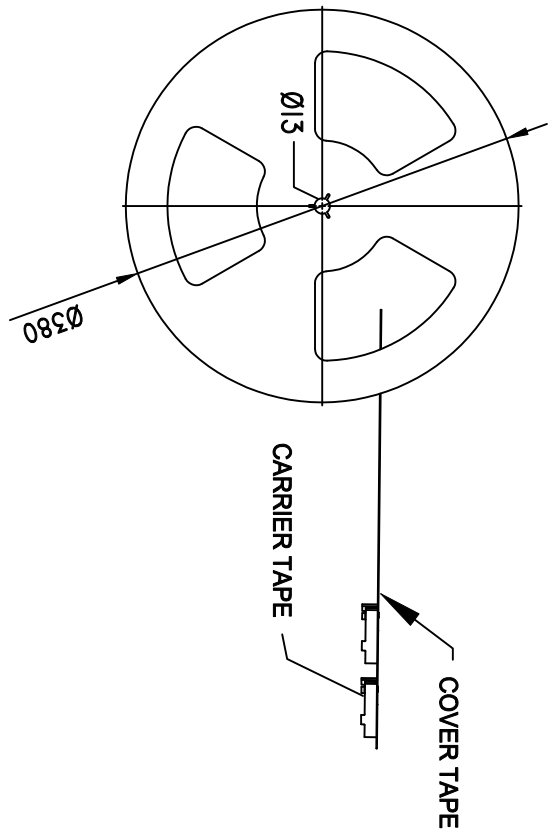
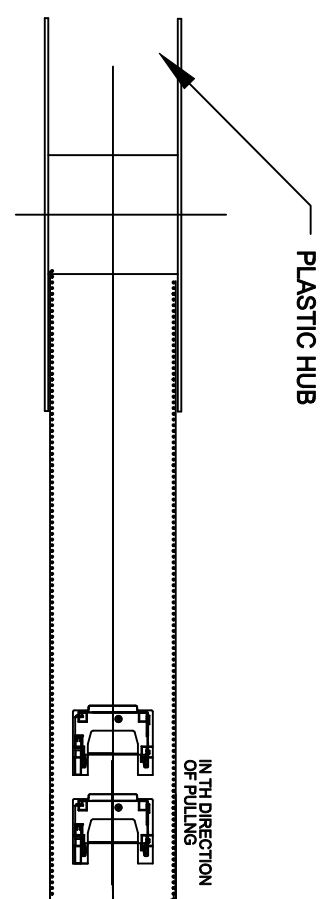
4

mat'l. code	ecn no	dr	dtte	lineor	angles	dr	eng'allen	chr	oppl	tolerances unless otherwise specified	CUSTOMER COPY	projection	scale	title	product family	size/ dwg no	code
A	T05-0258	A.C.	11/21/05				allen chang	11/03/05		.XX ± 0.20			MM	CF ASS'Y, ABOVE MOUNT, LEFT PUSH, S/O=0	CF		
B	T06-0038	A.C.	3/02/06				eng'allen chang	11/03/05		.XXX ± 0.10			NA				
C	T08-1173	S.LIN	10/12/08				allen chang	11/03/05		0 ± 2°							
sheet index	revision																
1	C																
2	C																
3	C																
ACAD																	
cage code																	

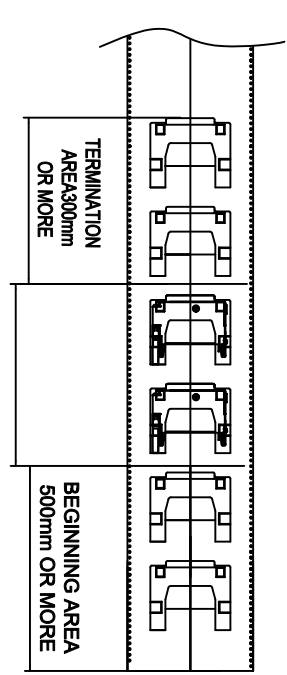
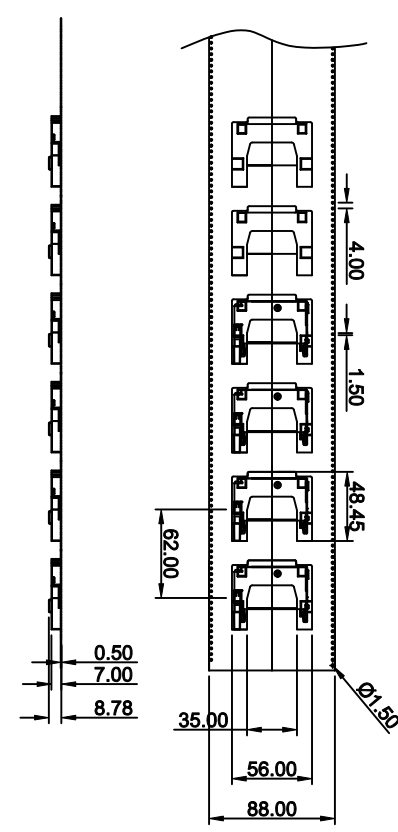
1 | 2

3 |

4



- NOTES:**
 1. CARRIER TAPE: PS T=0.4MM
 2. COVER TAPE: PE
 3. PLASTIC HUB: PS



CONNECTOR PACKAGING
 AREA QUANTITY: 150PCS

COMPOSITION OF PACKAGING

mot'l. code		tolerances unless otherwise specified		CUSTOMER COPY		FCI		title		code	
lfr	ecn no	dr	dtte	linear	projection	scale	product family	size	dwg no	code	sheet
A	T05-0258	A.C.	11/21/05	.XX ± 0.20	MM	NA	CF	A4	10061861	TWN	4 of 4
B	T06-0038	A.C.	3/02/06	.XXX ± 0.10	MM	NA	CF	A4	10061861	TWN	4 of 4
C	T08-1173	S.LIN	10/12/08	0° ± 2°	MM	NA	CF	A4	10061861	TWN	4 of 4
sheet index		revision	sheet	dr	eng	chr	appd	sheet		index	
1	2	C	C	C	C	C	C	1	2	3	4

ACAD