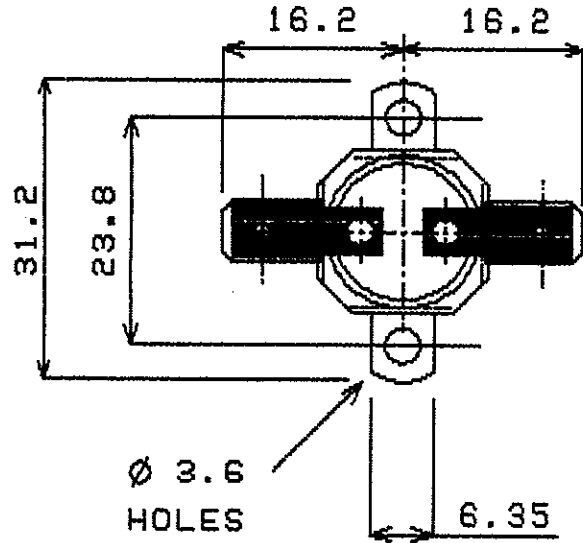


DO NOT SCALE ALL DIMENSIONS ARE FOR REFERENCE ONLY

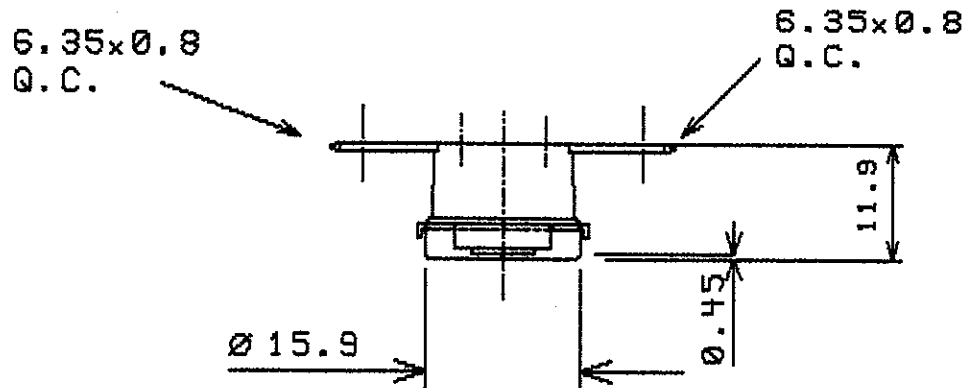
OPERATING CRITERIA



VOLTS; 240 AMPS; 10 HZ;

OPERATING TEMPS. DEG. C

OPEN; 25 ± 3
CLOSE; 15 ± 4



NOTE: ORIENTATION OF BRACKET IS NOT FIXED

ISSUE	A	B								
MOD No	2052	2250								
MTH/YR	3/97	7/98								

CODING REQUIREMENTS

COLOUR; LASER CODE
L25C RP 9100 431 XXX

(XXX = DATE CODING)

CAP; 6200 MAT'L; ALUMINIUM
BRK'T; B2036 MAT'L; STEEL
..... PLATING; NICKEL
TERMINAL; T146 T146
MATERIAL; BRASS BRASS
PLATING;

ELMWOOD DEVICE & UNIQUE PART No.
2455RP-9100-431

ELMWOOD DRG No. ISSUE
965199 B



ELMWOOD
SENSORS LTD

DATE OF ISSUE STAMP
7 JUN 1998