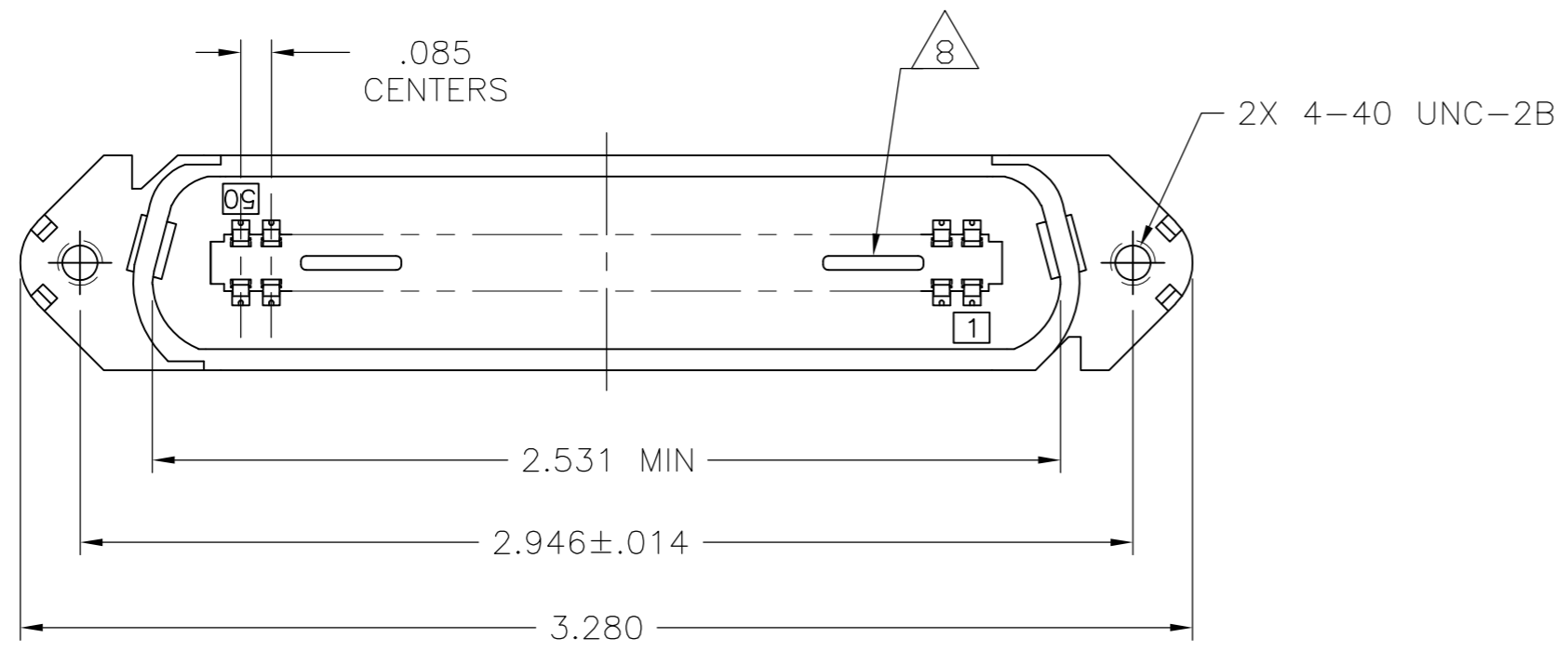
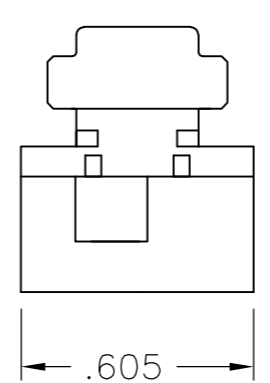
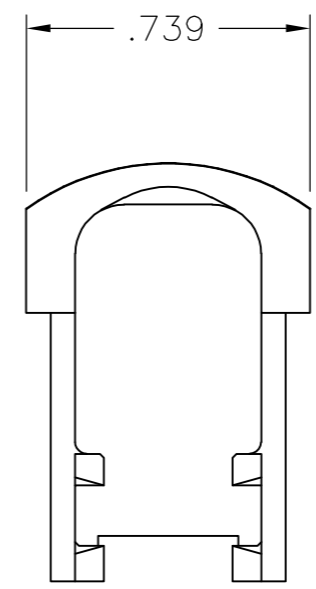
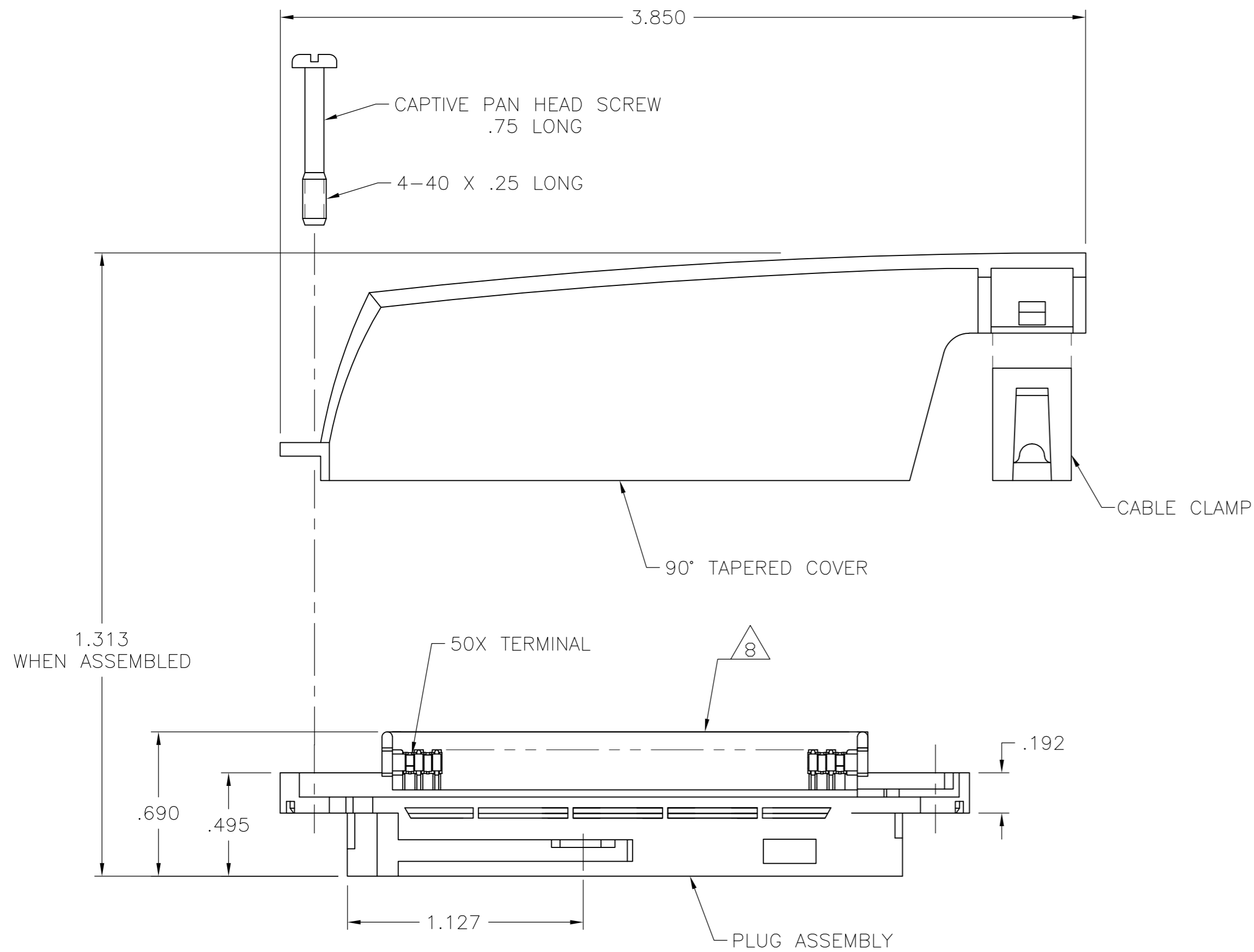


THIS DRAWING IS UNPUBLISHED. RELEASED FOR PUBLICATION
 © COPYRIGHT BY TYCO ELECTRONICS CORPORATION. ALL RIGHTS RESERVED.

LOC	DIST	REVISIONS			
P	LTR	DESCRIPTION	DATE	DWN	APVD
GP	00	B	REVISED PER ECO-08-007327	02OCT08	BM WM



1. THE CONTACT SURFACES OF THE TERMINALS ARE COATED WITH LUBRICANT.
- 2 MATERIAL:
HOUSING, COVER, AND CABLE CLAMP: THERMOPLASTIC.
TERMINALS: PHOS BRONZE
HARDWARE: STEEL.
- 3 FINISH:
TERMINALS: .000030 MIN GOLD OR GOLD FLASH OVER
PALLADIUM NICKEL PLATE .000030 MIN TOTAL ON
MATING SURFACE, OVER .000050 MIN NICKEL UNDERPLATE.
HARDWARE: ZINC PLATED.
4. THIS KIT SHIPPED UNNASSEMBLED.
5. WIRE SIZE: 22 AWG SOLID OR 22 AWG, 7 STRANDS OF
COPPER CONDUCTORS. MAXIMUM INSULATION DIAMETER OF .045
IS ACCEPTABLE FOR MOST APPLICATIONS.
- 6 ALL DIMENSIONS SHOWN ARE MAXIMUM UNLESS OTHERWISE
SPECIFIED.
7. KIT SHIPPED IN POLY BAG FORM.
- 8 CORING MAY OR MAY NOT APPEAR AND IS AT THE DISCRETION
OF AMP.

.550 .500	BLACK	5552382-1
CABLE RANGE	COLOR	PART NUMBER

THIS DRAWING IS A CONTROLLED DOCUMENT.		DWN B. MCMASTER 30SEP05	Tyco Electronics Corporation Harrisburg, PA 17105-3608	
DIMENSIONS: INCHES	TOLERANCES UNLESS OTHERWISE SPECIFIED:	CHK W. MILLHIMES 30SEP05	NAME	
	0 PLC ± -	APVD W. MILLHIMES 30SEP05	PLUG KIT, 50 POSITION, C-SLOT, SCREW LOCK WITH TAPERED COVER, CHAMP-LOK	
	1 PLC ± -	PRODUCT SPEC	SIZE	RESTRICTED TO
	2 PLC ± -	APPLICATION SPEC	A2	-
	3 PLC ± -		CAGE CODE	DRAWING NO
	4 PLC ± -		00779	C=5552382
	ANGLES ± -	WEIGHT	SCALE 2:1 SHEET 1 of 1 REV B	
MATERIAL	FINISH	CUSTOMER DRAWING		

5552382