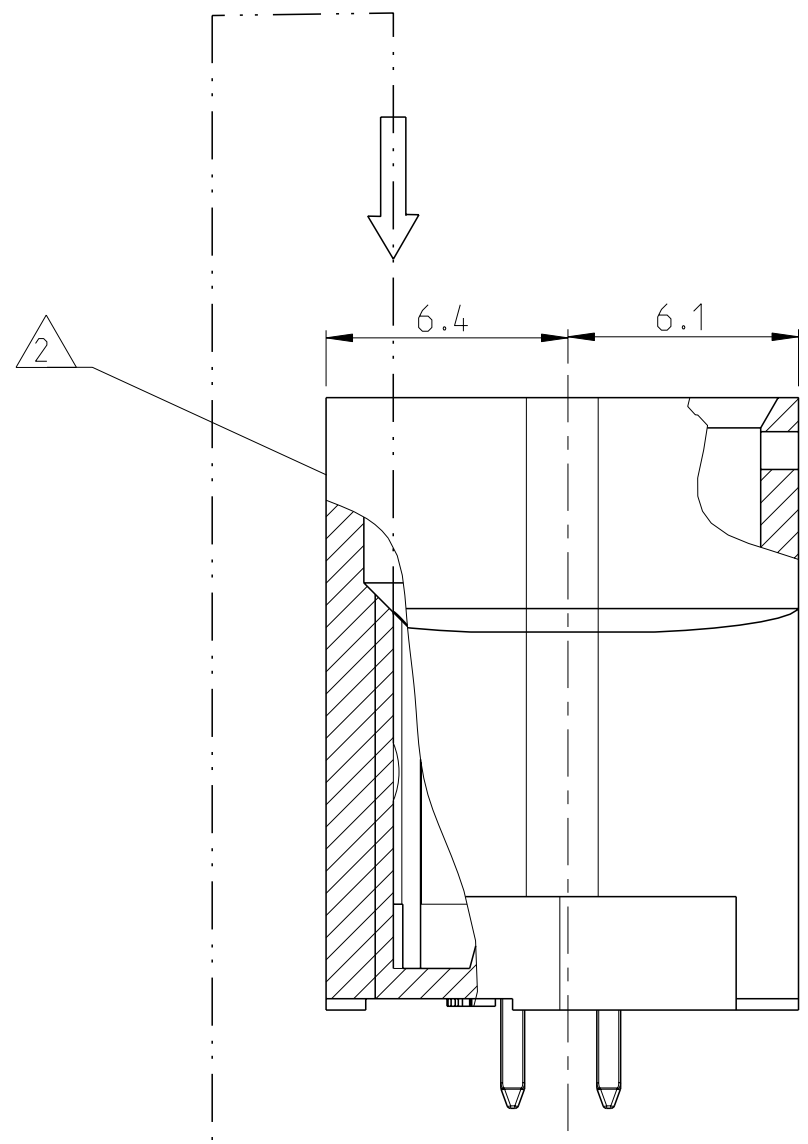
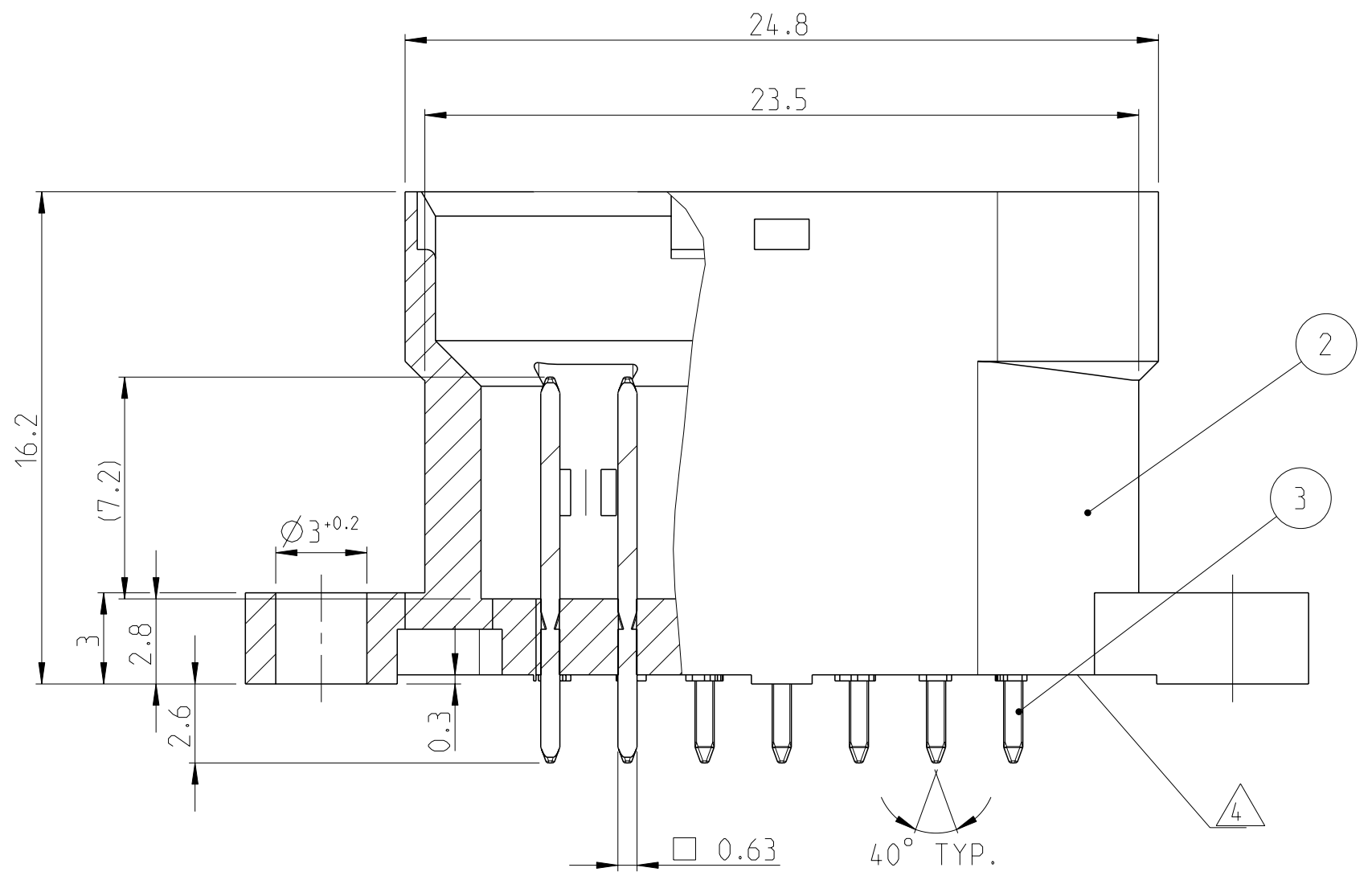
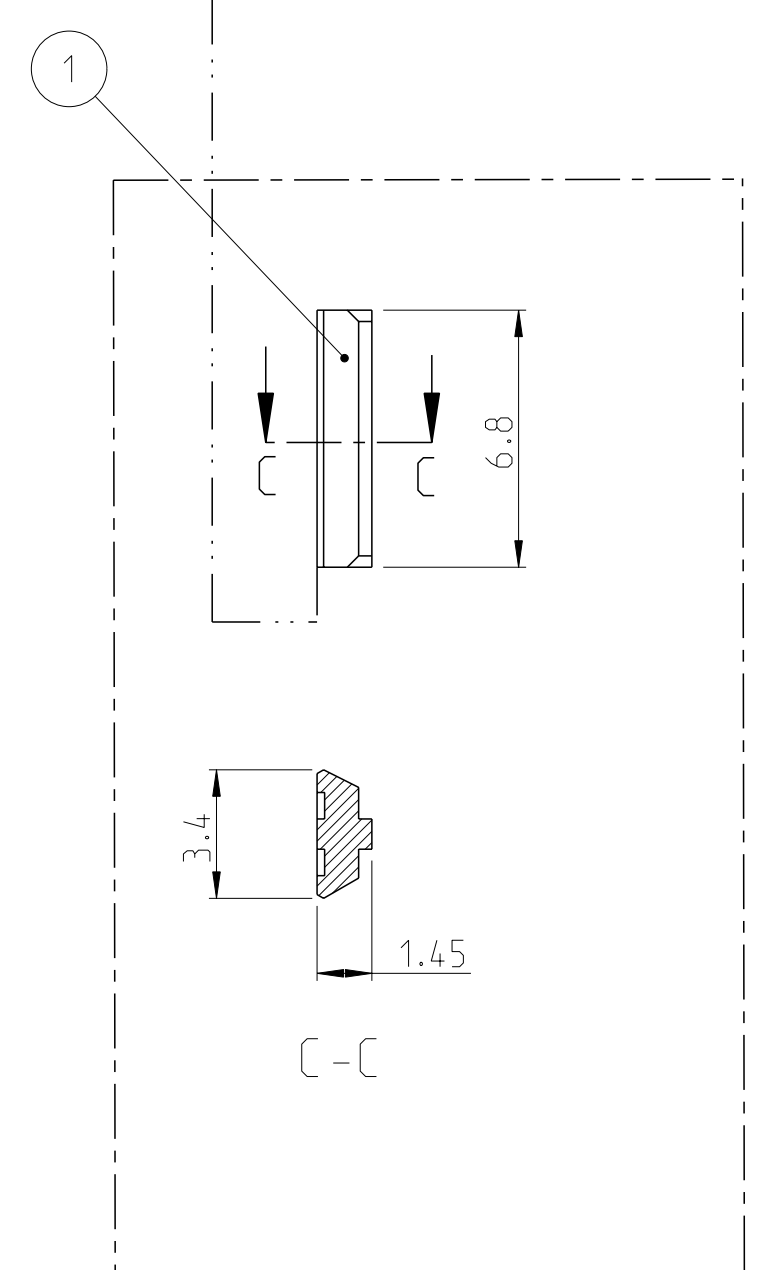
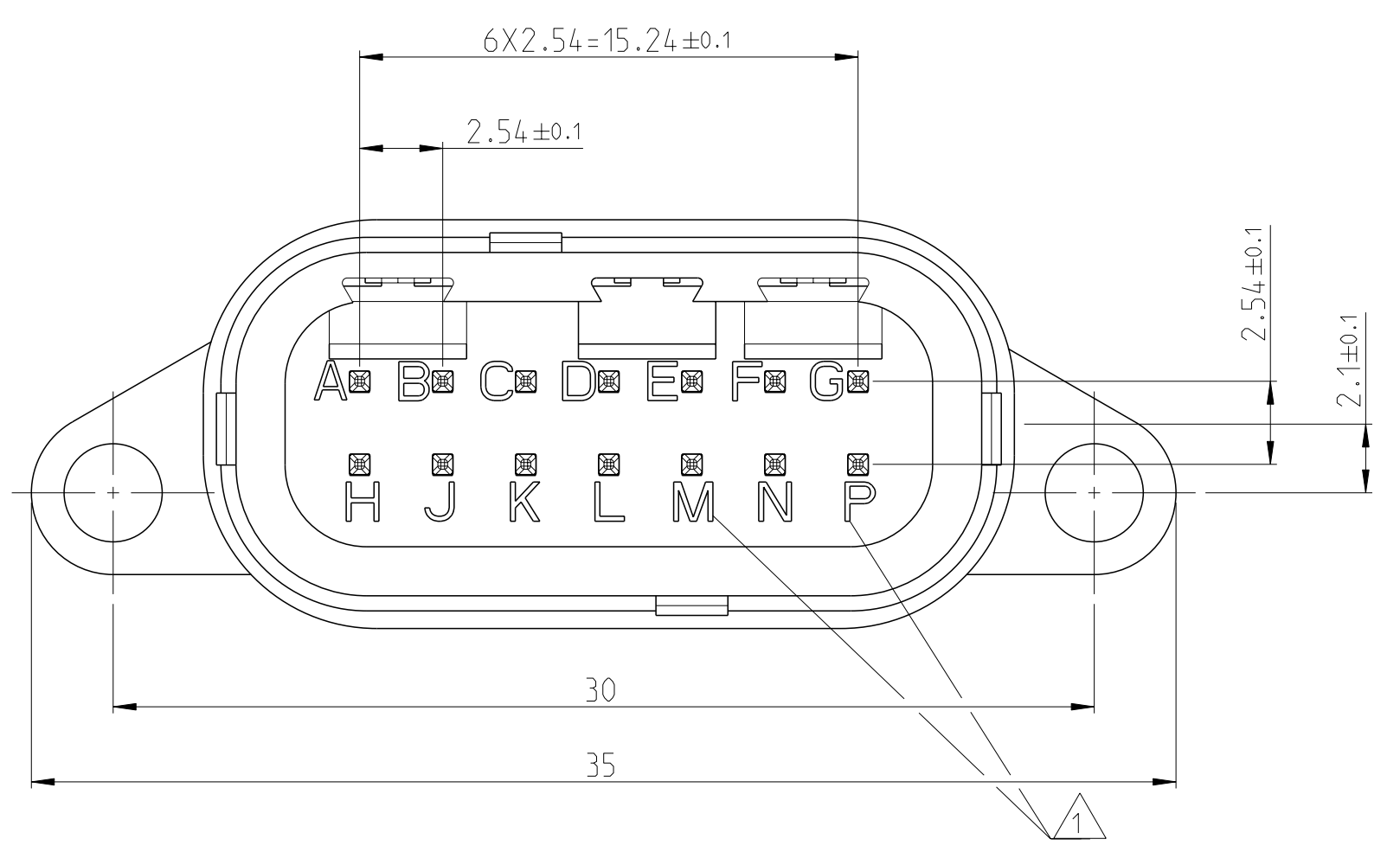
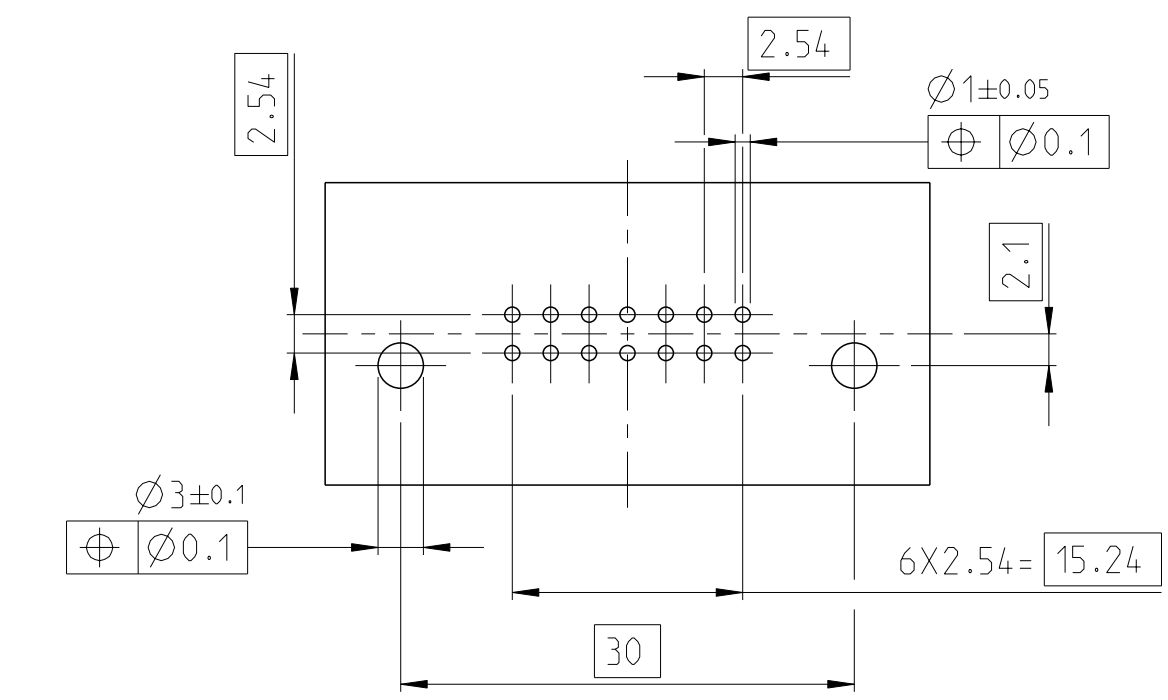


THIS DRAWING IS UNPUBLISHED. RELEASED FOR PUBLICATION 20
 © COPYRIGHT 20 BY - ALL RIGHTS RESERVED.

REVISIONS					
P	LTR	DESCRIPTION	DATE	DWN	APVD
L		CUSTOMER DRAWING REDRAWN	31DEC2013	KJK	JKS
M		MINOR DIM UPDATED	08APR2020	KL	YP
N		MINOR CLARIFICATION	08APR2020	LN	YP



RECOMMENDED PCB LAYOUT



NOTES:

- ① CONTACT IDENTIFICATION BY CHARACTERS 0.2 mm DEEP
- ② AMP LOGO, P/N, DATE CODE PRINTED IN BLACK
- ③ PLATING 0.8 µm MIN. GOLD OVER 1.2 µm NICKEL IN MATING AREA
3 TO 5µm SN OVER 1.2 µm NICKEL IN SOLDER AREA
- ④ CONTACT IDENTIFICATION CHARACTERS RAISED 0.2 mm
- ⑤ TOTAL MASS 16 g MAX. MATED TO HOUSING 828290-X.
(FEMALE LOCKING CLIP CONTACTS NOT INCLUDED).
- ⑥ CODING KEY DELIVERED UN-MOUNTED, IN A PLASTIC BAG.

828265-1	3	14	CONTACT	CuSn 6	③
	2	1	HOUSING	MAKROLON 9415	WHITE
	1	2	CODING PIN	MAKROLON 9415	RED
PART NUMBER	ITEM NO.	QTY.	DESCRIPTION	MATERIAL	SURFACE/ FINISH

THIS DRAWING IS A CONTROLLED DOCUMENT.

DIMENSIONS: mm	TOLERANCES UNLESS OTHERWISE SPECIFIED: ±0.2	DWN KARTHIK, J.K. 24OCT2013	 TE Connectivity NAME 2x7 POS. PIN HEADER FOR LOCKING CLIP SIZE A2 CAGE CODE - DRAWING NO C-828265 RESTRICTED TO - SCALE 5:1 SHEET 1 OF 1 REV N
	0 PLC ±	CHK PRASHANTH, S. 24OCT2013	
	1 PLC ±	APVD JAYANTH KUMAR 24OCT2013	
	2 PLC ±	PRODUCT SPEC	
	3 PLC ±	APPLICATION SPEC	
	4 PLC ±		
MATERIAL SEE TABLE	FINISH SEE TABLE	WEIGHT -	