



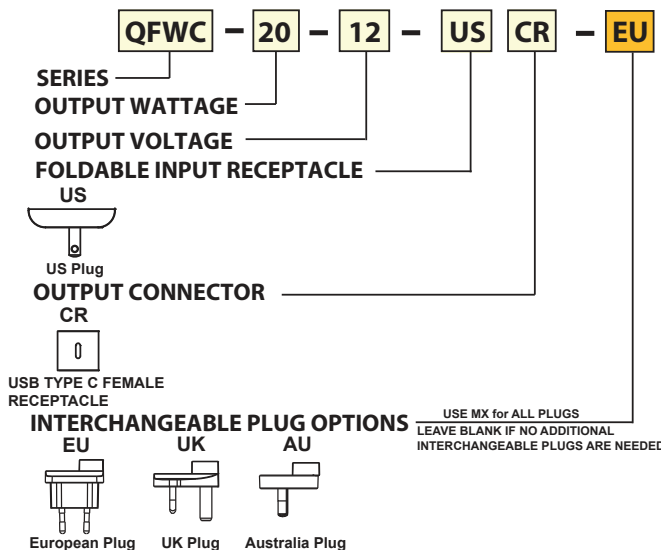
**Features:**

- Universal AC input/ Full Range
- Energy Efficiency Level VI
- USB Power Delivery (PD)
- Folding Power Plug
- USB Type C Output Connector
- Output Protections: SCP/OCP/OVP
- Quick Charge 3.0 & 2.0 Compatible
- No Load Power Consumption <0.1W
- 1 Year Warranty

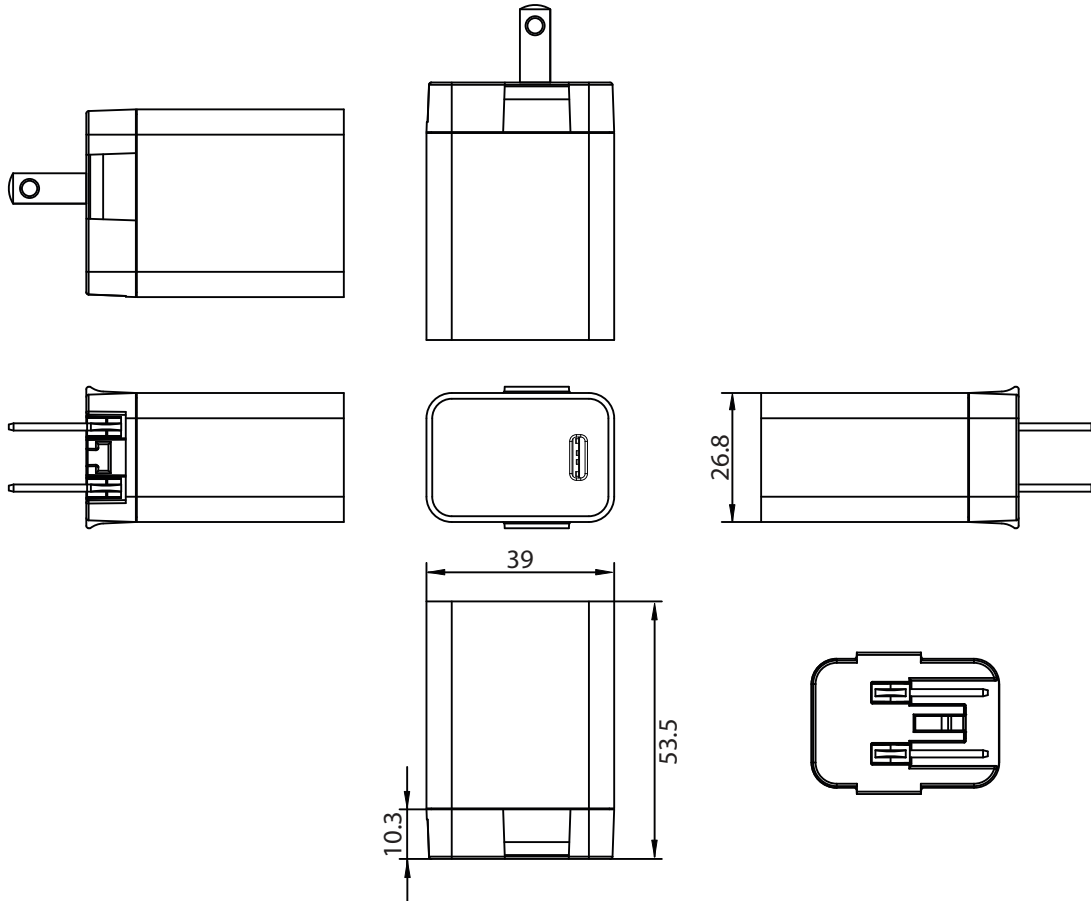


|                                      |  |
|--------------------------------------|--|
| <b>Model</b>                         | <b>QFWC-20-12-USCR</b>                             |
| <b>Output Characteristics</b>        |  |
| DC Output                            | 5V / 9V / 12V                                      |
| Rated Current                        | 3A@5V / 2.22A@9V / 1.67A@12V                       |
| Ripple and Noise                     | 200mV Max (5V), 300mV Max (9V, 12V)                |
| Load Regulation (Typ.)               | ±5%  |
| Hold-up Time (Typ.)                  | 10mS @ Rated Load (115V), 20mS @ Rated Load (230V) |
| Output Protection                    | Short Circuit, Over Voltage, Over Current          |
| Ferrite Core                         | No   |
| <b>Input Characteristics</b>         |  |
| Voltage Range                        | 90VAC~264VAC                                       |
| Frequency Range                      | 47Hz-63Hz  |
| Efficiency                           | DoE Level VI                                       |
| AC Current (max)                     | 0.5A   |
| Input Protection                     | Internal Primary Current Fuse                      |
| Leakage Current                      | 0.25mA @264VAC/50Hz                                |
| <b>Environmental Characteristics</b> |  |
| Operating Temperature                | 0°C~40°C   |
| Operating Relative Humidity          | 10% RH to 90% RH                                   |
| Storage Temperature                  | -20°C~80°C, 5% RH to 95% RH                        |
| Dielectric Withstand                 | 3000VAC/10mA Primary-Secondary                     |
| EMI Conduction & Radiation           | Compliance to EN55032 Class B, FCC Part 15         |
| Harmonic Current                     | Compliance to EN61000-3-2, 3                       |
| EMS Immunity                         | Compliance to IEC61000-4-2, 3, 4, 5, 6, 8, 11      |
| <b>Characteristics</b>               |  |
| MTBF                                 | More than 50,000Hrs (25°C, Telecordia SR-332)      |
| Dimension (LxWxH)                    | 26.8x39x53.5mm                                     |

**PART NUMBER SYSTEM**



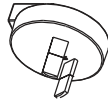
## MECHANICAL SPECIFICATIONS



## INTERCHANGEABLE PLUGS

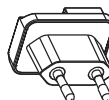
(when sold separately)

Australia Plug



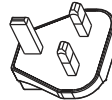
Part Number:  
QFWC-AU

European Plug



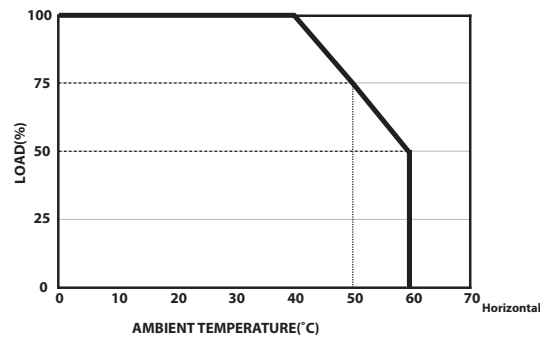
Part Number:  
QFWC-EU

UK Plug



Part Number:  
QFWC-UK

## DERATING CURVE



UNIT: mm