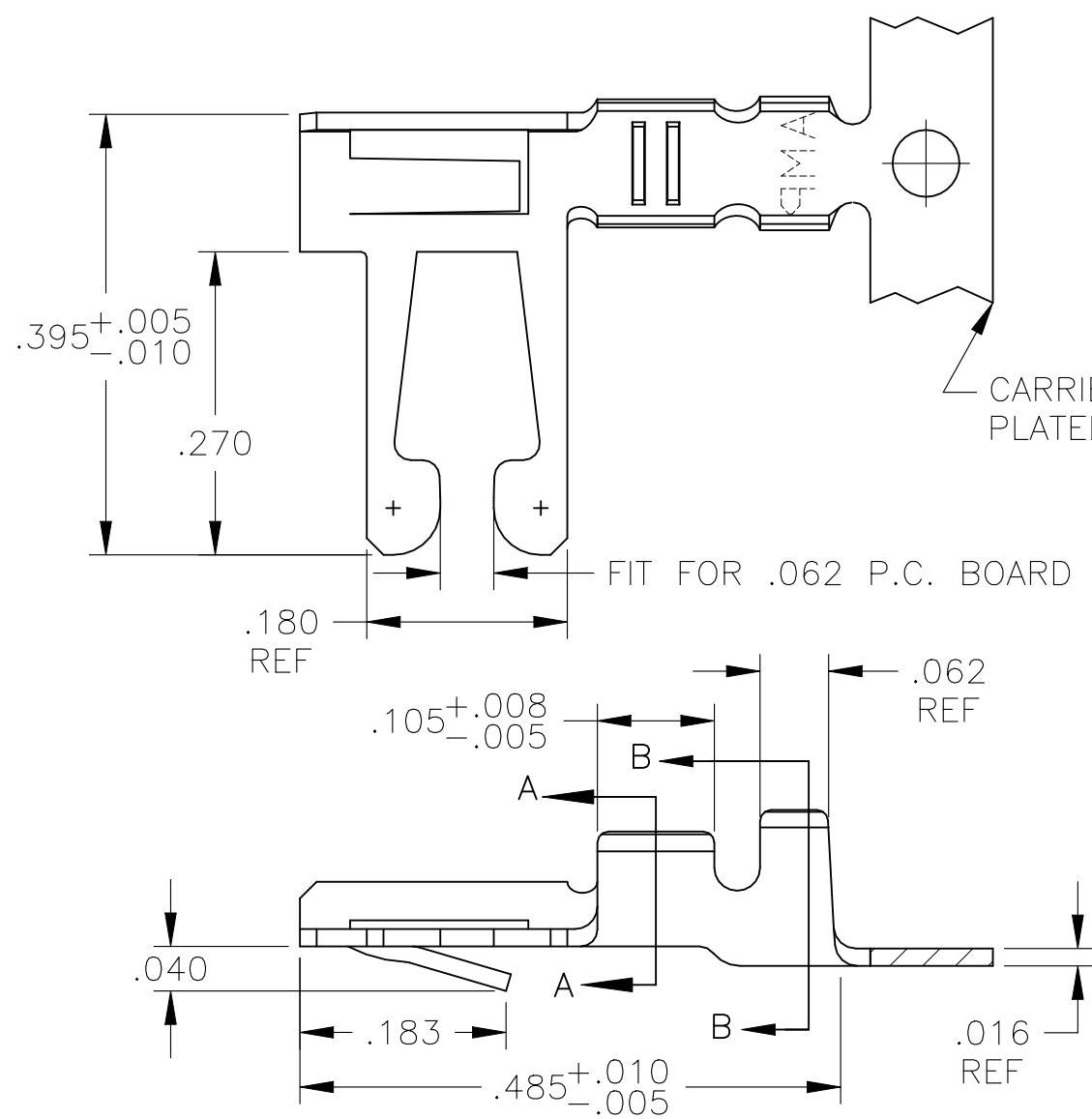
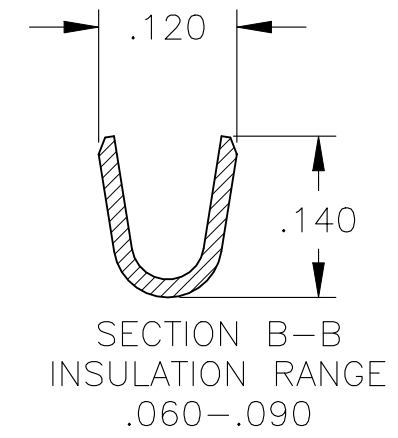
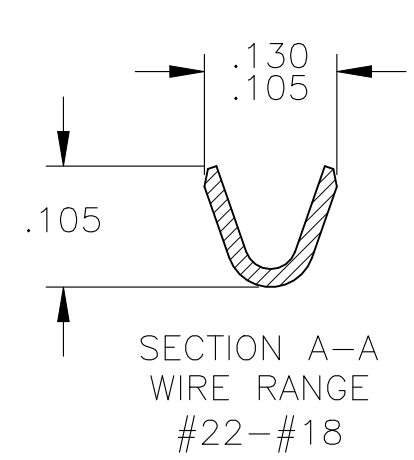


REVISIONS				
P	LTR	DESCRIPTION	DATE	APVD
	H2	ECN-22-171534	30AUG2022	RK JO



1. REFER TO CUSTOMER 582370 SERIES AND CUSTOMER 582380 SERIES FOR HOUSING AND P.C. BOARD REQUIREMENTS
2. .000015 GOLD OVER .000050 NICKEL IN CONTACT AREA. REMAINDER OF CONTACT .000050 NICKEL.
3. .000030 GOLD OVER .000050 NICKEL IN CONTACT AREA. .000050 NICKEL ON REMAINDER OF CONTACT.
4. L-R FEED FOR MINI-APPL.
5. OBSOLETE PARTS: OBSOLETE CIS STREAMLINING PER D.RENAUD/D.SINISI



5	OBSOLETE	MATTE TIN	4	5-530006-5
		MATTE TIN	4	5-530006-2
5	OBSOLETE		4	530006-7
			4	530006-6
		TIN PLATE	4	530006-5
			4	530006-4
			4	530006-3
		TIN PLATE		530006-2
		FINISH		PART NUMBER

THIS DRAWING IS A CONTROLLED DOCUMENT.		DWN M.BINNER 29MAR01	STE TE Connectivity		
DIMENSIONS: INCHES		CHK M.MILLER 05APR01			
TOLERANCES UNLESS OTHERWISE SPECIFIED:		APVD M.MILLER 05APR01	NAME CONTACT, 22-18 AWG, DUO-TYNE FLAG WITH TAPERED BEAMS		
0 PLC ± -		PRODUCT SPEC	SIZE		
1 PLC ± -			CAGE CODE		
2 PLC ± -			DRAWING NO		
3 PLC ± .005			RESTRICTED TO		
4 PLC ± .0005		APPLICATION SPEC	A300779 C-530006		
ANGLES ± -			SCALE 6:1		
MATERIAL BERYLLIUM COPPER		FINISH SEE TABLE	SHEET 1 OF 1		
		WEIGHT -	REV H2		
		CUSTOMER DRAWING			