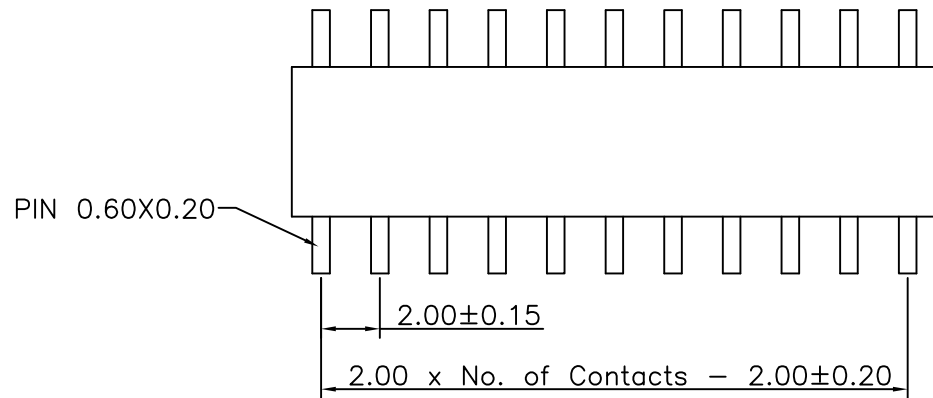
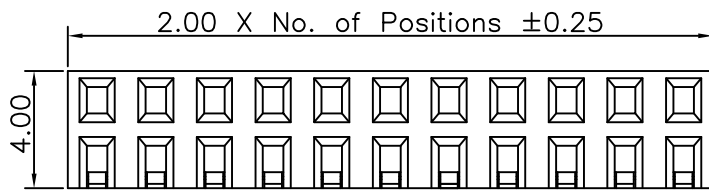
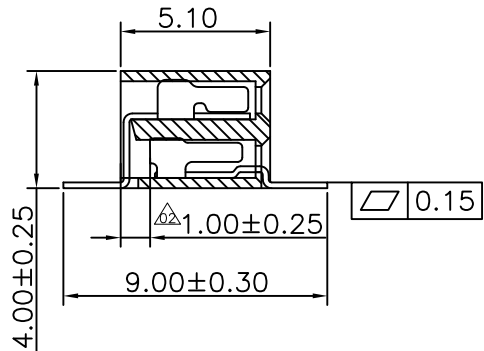


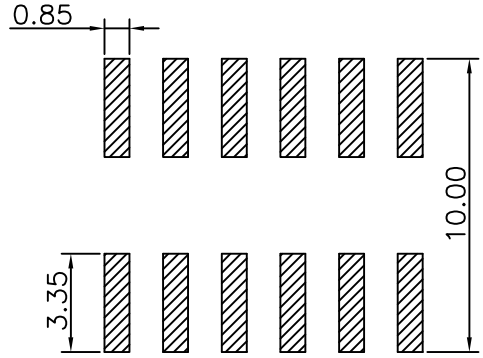
REV.	LOCAS.	DESCRIPTION	DATE	DRAWN
01	NEW	INITIAL RELEASE.	2010.01.08	謝金發
02	△	變更圖號並依客人要求增加管控尺寸	2011.09.28	黃小燕



Specifications  
 Current Rating:2Amp  
 Insulation Resistance:1000MΩMin.  
 Dielectric Withstanding Voltage:500VAC  
 Contact Resistance:20mΩMax.  
 Operating Temperature:-40°C to +105°C  
 Materials  
 Contact Material:Phosphor Bronze  
 Insulator Material:High Temperature Thermoplastic, UL 94V-0 Nylon 6T(無鹵) or the equivalent material  
 All materials must meet Greenconn requirement for environment protection.



Recommended P.C.Board Layout  
 (Tolerance:±0.05)



### Ordering Information

C SFC219 - XX XX A 001 R 1 A X

No. of Pins per Row 03~25  
 Standard Plating 02=Gold Flash  
 Selective Plating 01=Tin 05=Gold Flash/Tin  
 Color 1=Black  
 Standard Packing C=Tube  
 Selective Packing D=Tape & Reel

格稜股份有限公司  
**Greenconn Corporation**

GENERAL TOLERANCE		DESIGN: 黃小燕	DATE: 2011.09.28	DWG. NO. △ CSFC219-CA1RA	TITLE: 2.00 HEADER FEMALE DUAL ROWS SMT TYPE SIDE ENTRY
X.*±5.0°	X.±0.30	CHECKED: 劉北平	DATE: 2011.09.28	PART NO. CSFC219-XXXX A001R1AX	
.X*±3.0°	.X±0.25	AUDITED: 李輝	DATE: 2011.09.28		
.XX*±2.0°	.XX±0.15	APPROVED: cc_li	DATE: 2011.09.28		
.XXX*±1.0°	.XXX±0.10				

REV.	UNIT.	SCALE.	PAGE.	⊕
02	mm	4:1	1/1	