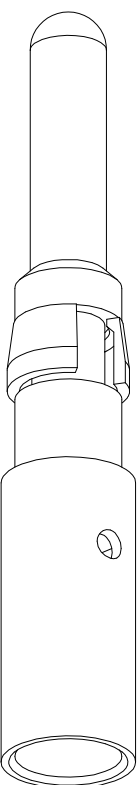
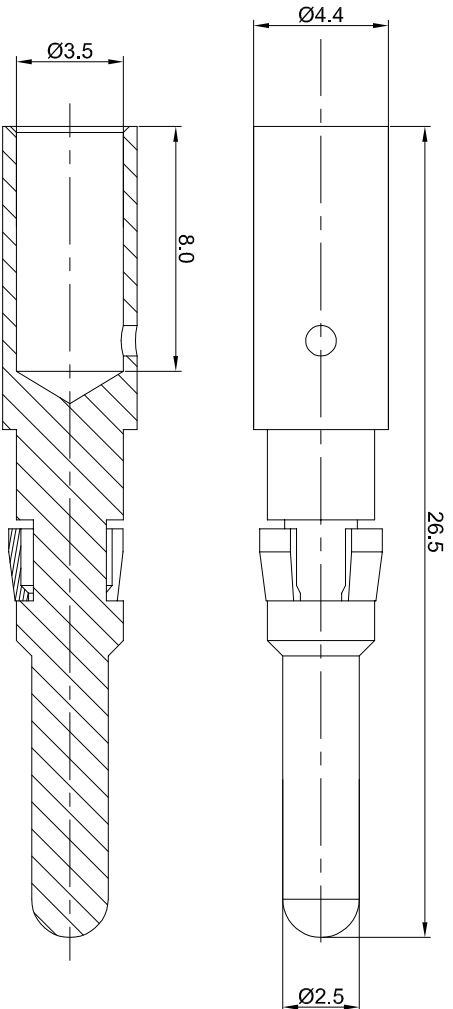


| REVISIONS | | | | |
|-----------|-----|---------------------------|-------------|-------------|
| REV | ECO | DESCRIPTION | DATE | BY APPR |
| A1 | - | FIRST RELEASE | May/27/2017 | Tom TOMMY |
| A2 | - | Modify the current rating | Jul,10,2017 | White TOMMY |



| P/N | CONTACT PLATING(MATING AREA) |
|------------|---------------------------------|
| MP10B23T | TIN PLATING OVER NICKEL. |
| MP10B23S | SILVER PLATING OVER NICKEL. |
| MP10B23F | GOLD FLASH PLATING OVER NICKEL. |
| MP10B23G5 | 5µ" GOLD PLATING OVER NICKEL. |
| MP10B23G10 | 10µ" GOLD PLATING OVER NICKEL. |
| MP10B23G15 | 15µ" GOLD PLATING OVER NICKEL. |
| MP10B23G30 | 30µ" GOLD PLATING OVER NICKEL. |

- NOTES : (UNLESS OTHERWISE SPECIFIED)
- MATERIAL :
 - CONTACT BODY : COPPER ALLOY.
 - POSITIONING CLIP : COPPER ALLOY.
 - SPECIFICATIONS :
 - CURRENT RATING : 35A(MAX).
 - TERMINATION TYPE : CRIMPING.
 - WIRE RANGE : 10~12 AWG.
 - SUITABLE SOCKET : MS10B23xx.
 - ALL DIMENSIONS ARE FOR REFERENCE USE ONLY.

| QUANTITY | PART NUMBER | DESCRIPTION | ITEM |
|---------------------------------------|-------------|---|------|
| MATERIALS LIST | | | |
| UNLESS OTHERWISE SPECIFIED | | | |
| 1) All dimensions are in millimeters. | | | |
| 2) Tolerances are as follows: A:10% | | | |
| 1 Pt. DEC 2010 Fractional 1/16" | | | |
| 3 Pt. DEC 2010 Angles 1° | | | |
| 3) Note reference = | | | |
| MATERIAL SPECIFICATIONS: | | CUSTOMER: | |
| PROCESS SPECIFICATIONS: | | THIS DRAWING IS SUPPLIED FOR INFORMATION ONLY. IT IS NOT TO BE USED FOR PRODUCTION. SPECIFICATIONS AND PERFORMANCE DATA ARE THE PROPERTY OF AMPHENOL CORPORATION. NO PARTS OF REPRODUCTION ARE PERMITTED. ALL MANUFACTURING VARIATIONS. | |
| NEXT ASST: | | SCALE: NONE | |
| SIGNATURES | | DATE | |
| DRAWN: | | Jul,10,2017 | |
| CHECKED: | | | |
| ENGINEER: | | | |
| APPROVAL: | | | |
| ECCO-MATE PIN CONTACT | | MACHINE: MALE CONTACT 2.5mm | |
| Amphenol | | Sine Systems - www.amphenol-sine.com | |
| 44724 Morley Drive | | Clinton Township, MI 48036 | |
| SIZE | | TYPE | |
| B | | C- | |
| DRAWING NO. | | MP10B23xx | |
| REVISION | | A2 | |
| SHEET 1 | | OF 1 | |

FILE: ECO-MATE PIN CONTACT, MACHINE: MALE CONTACT 2.5mm

DWG NO: MP10B23xx

REV: A2

SH: 1

OF: 1