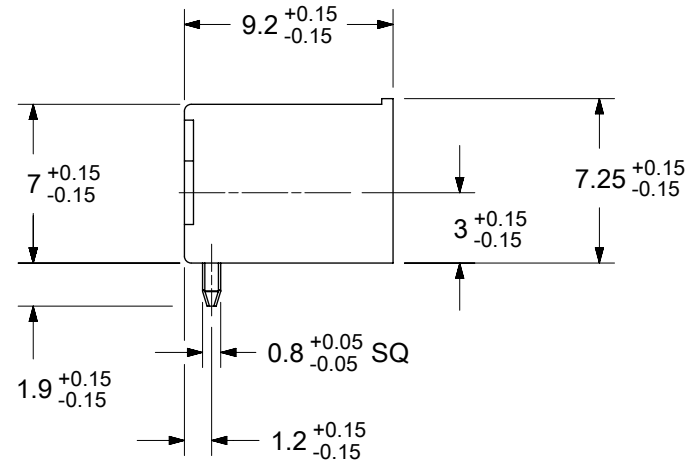
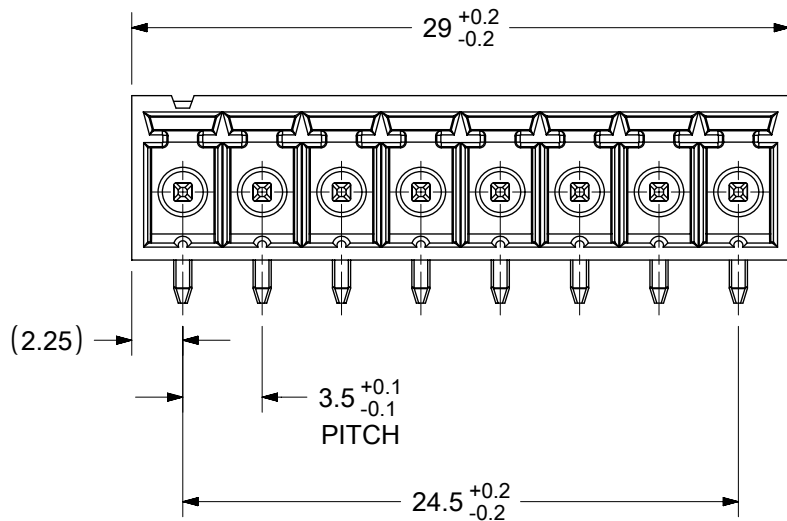


PCB LAYOUT



SPECIFICATIONS

MATERIAL:

1. HOUSING: PA46 GF UL94V-0: COLOR: GREEN
2. TERMINAL: TIN PLATED COPPER ALLOY

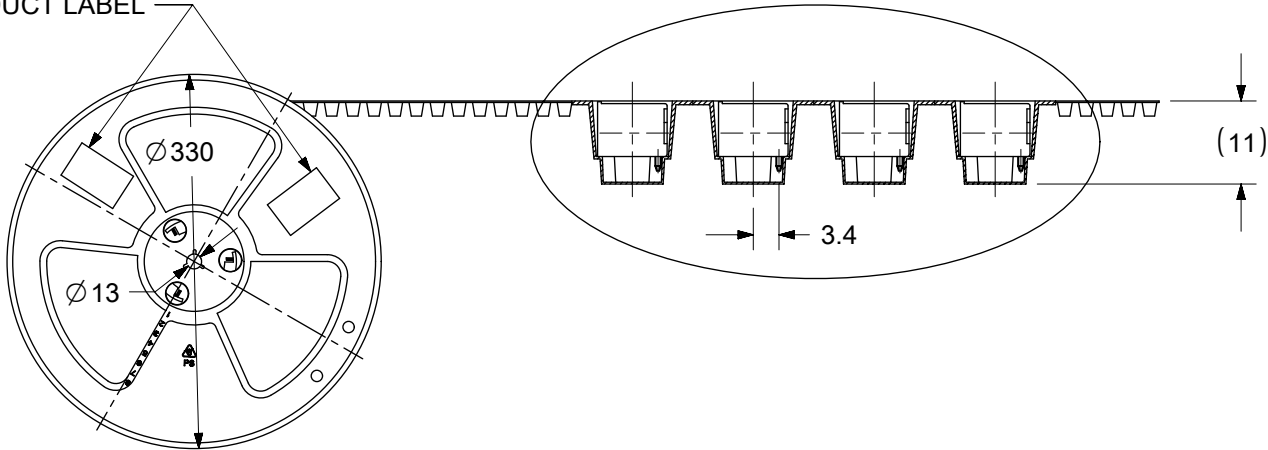
ELECTRICAL RATINGS:

1. MAXIMUM VOLTAGE: 300V (PER UL)
2. MAXIMUM CURRENT: 11A (PER UL)

FUNCTIONAL SYMBOLS	THIS DRAWING CONTAINS INFORMATION THAT IS PROPRIETARY TO MOLEX ELECTRONIC TECHNOLOGIES, LLC AND SHOULD NOT BE USED WITHOUT WRITTEN PERMISSION													
	$\frac{E}{A} = 0$ $\frac{E}{E} = 0$ $\frac{E}{P} = 0$	DIMENSION UNITS	SCALE	CURRENT REV DESC: INITIAL RELEASE										
GENERAL TOLERANCES (UNLESS SPECIFIED)	mm	3:1	EC NO: 645226							3.50MM PITCH HEADER, 8 POLES				
DIVISIONAL SYMBOLS	ANGULAR TOL	±	°	DRWN: ABENJAMINLW 2020/07/13							HORIZONTAL, HIGH TEMP HOUSING,			
	4 PLACES	±	---	CHK'D: DACHAMMER 2020/09/10							TAPE & REEL PACKAGING			
	3 PLACES	±	---	APPR: JFMURPHY 2020/10/19							PRODUCT CUSTOMER DRAWING			
	2 PLACES	±	---	INITIAL REVISION:							DOCUMENT NUMBER	DOC TYPE	DOC PART	REVISION
	1 PLACE	±	---	DRWN: ABENJAMINLW 2020/07/13							395023008	PSD	000	A
0 PLACES	±	---	APPR: JFMURPHY 2020/10/19							MATERIAL NUMBER		CUSTOMER		SHEET NUMBER
DRAFT WHERE APPLICABLE MUST REMAIN WITHIN DIMENSIONS			THIRD ANGLE PROJECTION		DRAWING	SERIES	MATERIAL NUMBER		CUSTOMER		SHEET NUMBER			
					A-SIZE	39502	395023008				1 OF 2			

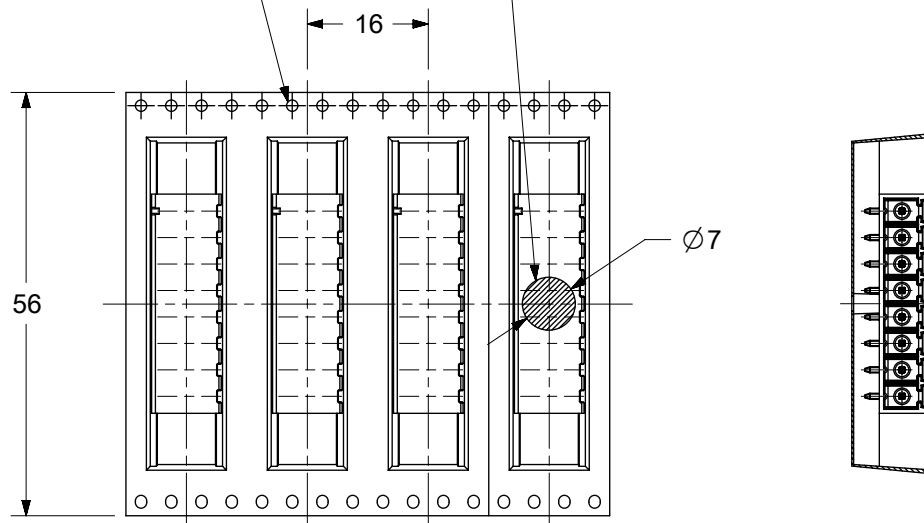
DOCUMENT STATUS	P1	RELEASE DATE	2020/10/19	17:06:26
-----------------	----	--------------	------------	----------

PRODUCT LABEL



TAPE & REEL PACKAGING DETAILS

SPROCKET HOLES PICK & PLACE AREA



FUNCTIONAL SYMBOLS $\frac{E}{A} = 0$ $\frac{E}{C} = 0$ $\frac{E}{P} = 0$ DIVISIONAL SYMBOLS	THIS DRAWING CONTAINS INFORMATION THAT IS PROPRIETARY TO MOLEX ELECTRONIC TECHNOLOGIES, LLC AND SHOULD NOT BE USED WITHOUT WRITTEN PERMISSION		CURRENT REV DESC: INITIAL RELEASE				
	DIMENSION UNITS	SCALE	EC NO: 645226				
	GENERAL TOLERANCES (UNLESS SPECIFIED)		DRWN: ABENJAMINLW 2020/07/13		PRODUCT CUSTOMER DRAWING		
	ANGULAR TOL ± °		CHK'D: DACHAMMER 2020/09/10				
4 PLACES ± ---		APPR: JFMURPHY 2020/10/19		INITIAL REVISION: DRWN: ABENJAMINLW 2020/07/13 APPR: JFMURPHY 2020/10/19			
3 PLACES ± ---		DRAFT WHERE APPLICABLE MUST REMAIN WITHIN DIMENSIONS					THIRD ANGLE PROJECTION
2 PLACES ± ---		DRAFTING: A-SIZE		SERIES: 39502 MATERIAL NUMBER: 395023008 CUSTOMER:			
1 PLACE ± ---		SHEET NUMBER: 2 OF 2					DATE: 2020/01/14
0 PLACES ± ---		DATE: 2020/01/14		DATE: 2020/01/14			